

Metri-Pack Series

METRI-PACK SERIES 150



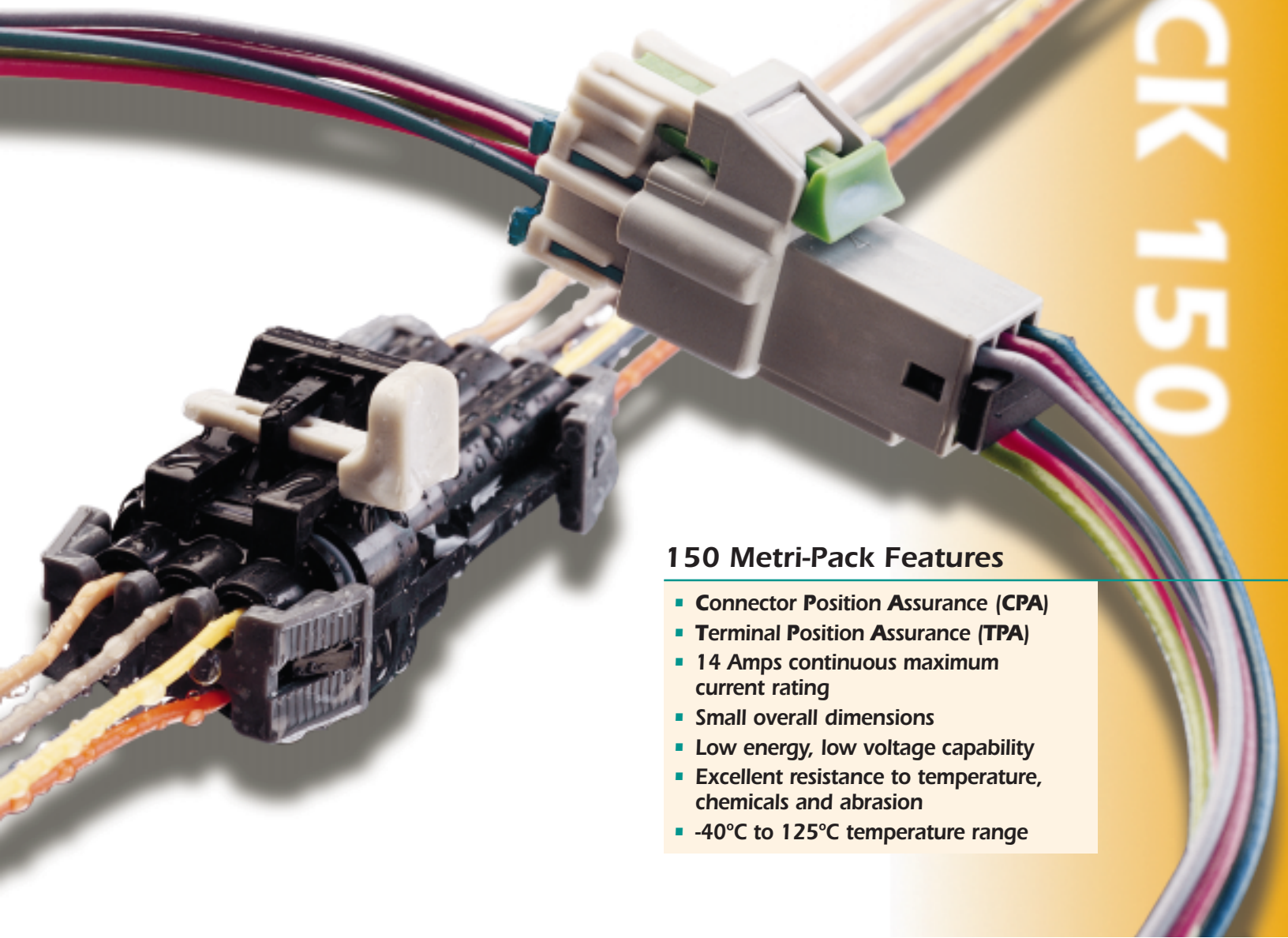
Available in device and in-line connections for vehicle applications, Metri-Pack 150 Series connectors can meet or exceed the requirements for most marine, appliance, and industrial control applications.

Ideally suited for limited space applications that do not require environmental protection, Metri-Pack 150 Series products are extremely versatile.



Available in device and in-line connections for underhood vehicle applications, Metri-Pack 150 Series sealed connectors can meet or exceed the requirements for most marine, appliance, and industrial control applications.

Utilizing triple-rib peripheral silicone rubber seals, Metri-Pack 150 Series sealed systems are ideally suited for critical, low-energy electronic applications that require protection from environmental hazards.



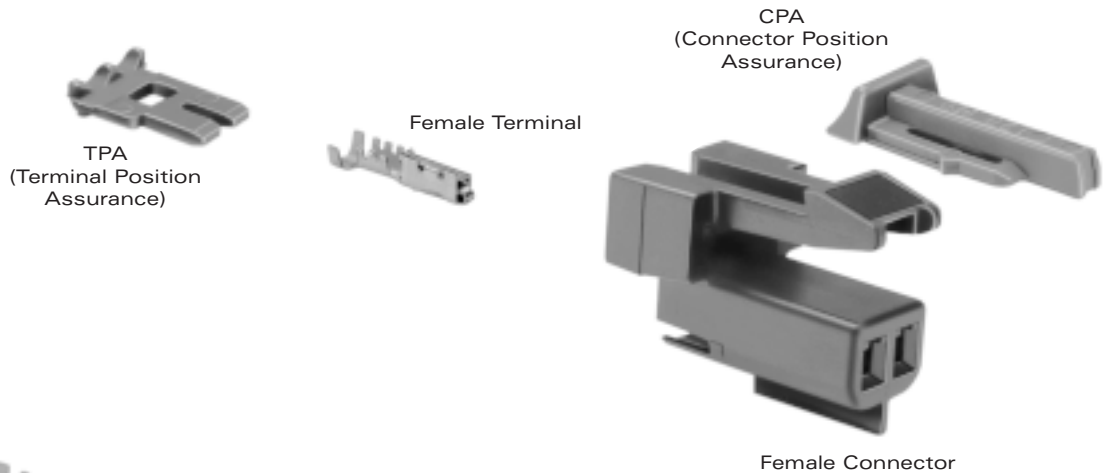
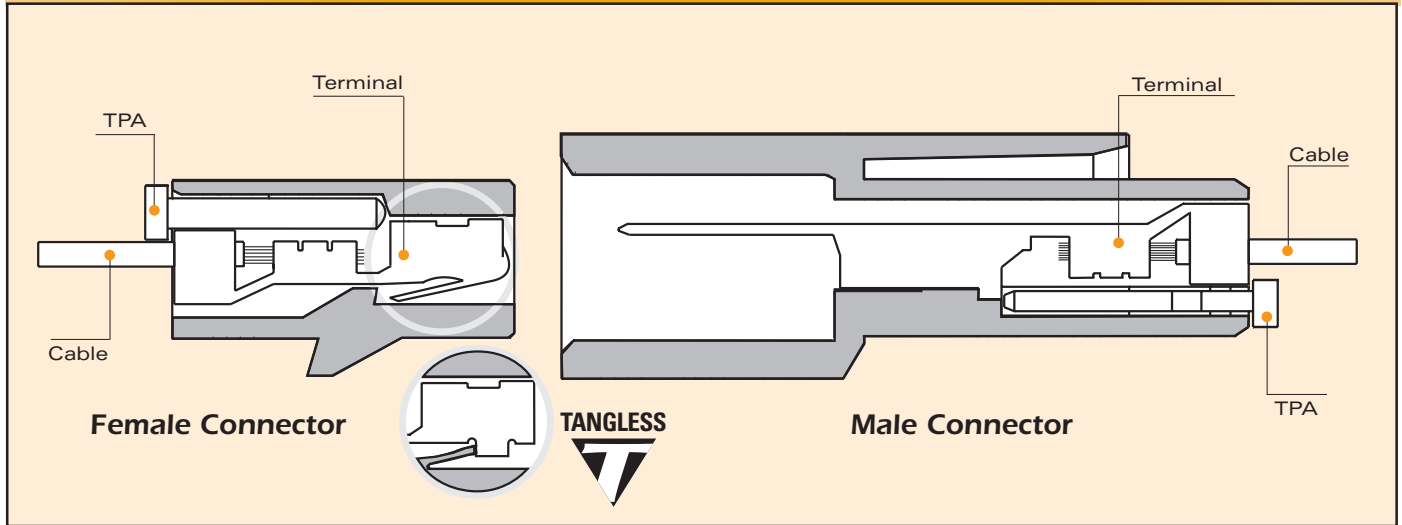
METRI-PACK 150

150 Metri-Pack Features

- Connector Position Assurance (CPA)
- Terminal Position Assurance (TPA)
- 14 Amps continuous maximum current rating
- Small overall dimensions
- Low energy, low voltage capability
- Excellent resistance to temperature, chemicals and abrasion
- -40°C to 125°C temperature range



Cross Sectional View



150 FEMALE TERMINALS UNSEALED

Part #	Cable Range (mm ²)	Material	Plating
12047767	1.0-0.80	Silicon Bronze	Tin
12064971	0.50-0.35	Silicon Bronze	Tin

150 FEMALE CONNECTORS UNSEALED

# Cavities	Connector	Color	Material	TPA
1	12047682	Black	PA66 HS IM	-
2	12047662	Black	PA66 HS IM	12047664
2	12052832	Black	PA66 HS IM	12047664
3	12047781	Black	PA66 HS IM	12047783
3	12064758	Black	PA66 HS IM	12047783
4	12047785	Black	PA66 HS IM	12047664
4	12064760	Black	PA66 HS IM	12047664
4	12092162	Black	PA66 HS IM	12092164
6	12064762	Gray	PBT	12064764
8	12047886	Black	PA66 HS IM	12045689
8	12064766	Blue	PBT	12064768
10	12064769	Natural	PBT	12064771

TANGLESS

150 TANGLESS FEMALE TERMINALS UNSEALED

Part #	Cable Range (mm ²)	Material	Plating
12129484	1.0-0.80	Silicon Bronze	Tin
12129373	0.5-0.35	Silicon Bronze	Tin

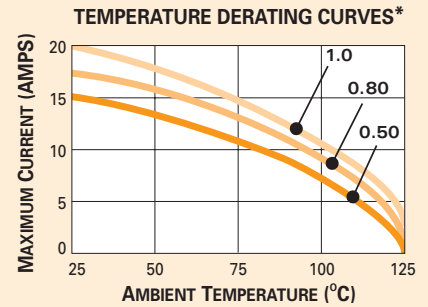
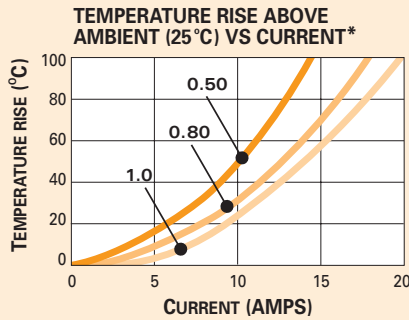
<http://delphi.com/products/connect>



Unsealed System Application Information

CABLE RANGE (mm²): 0.35-1.0
CURRENT RANGE (AMPS): 0-14
TEMP RANGE °C: -40 to 125
RESISTANCE: <10mΩ@20mV
VOLTAGE DROP: <10.0 mV/amp
CENTERLINE SPACING (mm): 3.5
BLADE WIDTH (mm): 1.5

150 SERIES TERMINALS-Tin Plated



*The test data are based on single circuits in free space and were generated using a "Lumped Resistance" model. This model does not account for all of the variables that would be present in an actual application. For actual product performance, contact your regional support representative at the number listed below.



Male Connector

Male Terminal



TPA (Terminal Position Assurance)



150 MALE CONNECTORS UNSEALED

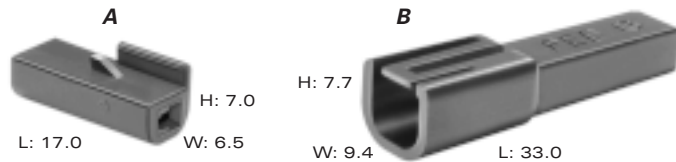
# Cavities	Connector	Color	Material	TPA
1	12047683	Black	PA66 HS IM	-
2	12047663	Black	PA66 HS IM	12047665
2	12052833	Black	PBT	12047665
3	12047782	Black	PA66 HS IM	12047784
3	12064759	Black	PBT	12047784
4	12047786	Black	PA66 HS IM	12047787
4	12064761	Black	PBT	12047787
4	12092163	Black	PA66 HS IM	12092164
6	12064763	Gray	PBT	12064765
8	12045688	Black	PA66 HS IM	12045690
8	12064767	Blue	PBT	12045690
10	12064770	Natural	PBT	12064772

150 MALE TERMINALS UNSEALED

Part #	Cable Range (mm ²)	Material	Plating
12047581	1.0-0.80	Tin Brass	Tin
12059894	0.50-0.35	Tin Brass	Tin

SECTION NOTES:

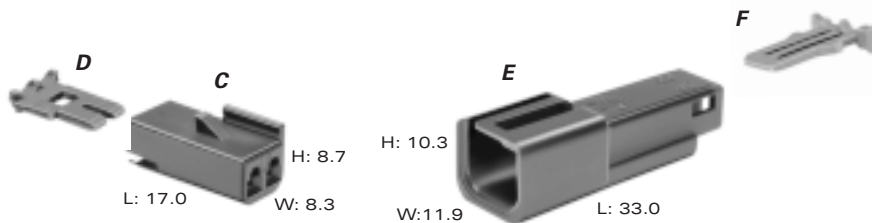
- Contact your regional support representative at the number listed below.
- Due to rigid tolerances of connector cavities, it is critical to meet all crimp dimensions as specified.
- Female connections for device applications, see page 74.



Total Mated Length: 38.1mm

A PART NO: **12047682**
 DESCRIPTION: Connector 1F
 SIZE: 17.0L x 7.0H x 6.5W
 COLOR: Black
 MATERIAL: PA66 HS IM
 TERMINALS: See Page 56

B PART NO: **12047683**
 DESCRIPTION: Connector 1M
 SIZE: 33.0L x 7.7H x 9.4W
 COLOR: Black
 MATERIAL: PA66 HS IM
 TERMINALS: See Page 57



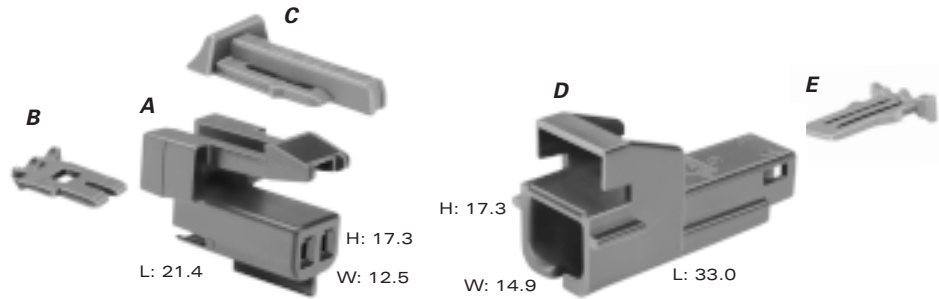
Total Mated Length: 41.0mm

C PART NO: **12047662 (Black)**
12059249 (Natural)
 DESCRIPTION: Connector 2F
 SIZE: 17.0L x 8.7H x 8.3W
 MATERIAL: PA66 HS IM
 TERMINALS: See Page 56

E PART NO: **12047663 (Black)**
12059250 (Natural)
 DESCRIPTION: Connector 2M (Clip Slot)
 SIZE: 33.0L x 10.3H x 11.9W
 MATERIAL: PA66 HS IM
 TERMINALS: See Page 57

D PART NO: **12047664**
 DESCRIPTION: TPA
 COLOR: Md. Gray
 MATERIAL: PA66 HS IM

F PART NO: **12047665**
 DESCRIPTION: TPA
 COLOR: Md. Gray
 MATERIAL: PA66 HS IM



Total Mated Length: 43.1mm

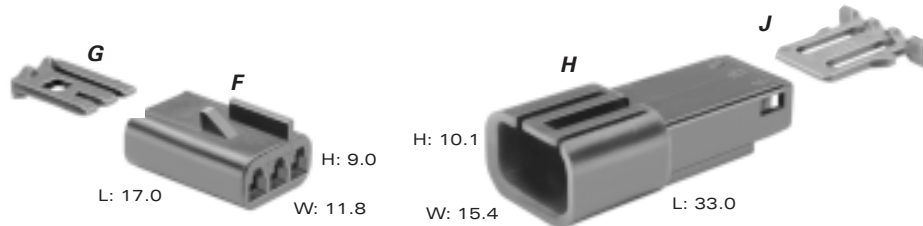
A PART NO: 12052832
 DESCRIPTION: Connector 2F
 SIZE: 21.4L x 17.3H x 12.5W
 COLOR: Black
 MATERIAL: PA66 HS IM
 TERMINALS: See Page 56

D PART NO: 12052833
 DESCRIPTION: Connector 2M (Clip Slot)
 SIZE: 33.0L x 17.3H x 14.9W
 COLOR: Black
 MATERIAL: PBT
 TERMINALS: See Page 57

B PART NO: 12047664
 DESCRIPTION: TPA
 COLOR: Md. Gray
 MATERIAL: PA66 HS IM

E PART NO: 12047665
 DESCRIPTION: TPA
 COLOR: Md. Gray
 MATERIAL: PA66 HS IM

C PART NO: 12052834
 DESCRIPTION: CPA
 COLOR: Green
 MATERIAL: PP



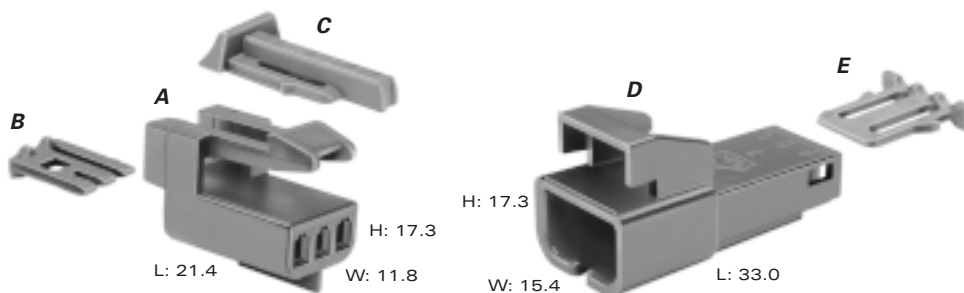
Total Mated Length: 41.3mm

F PART NO: 12047781
 DESCRIPTION: Connector 3F
 SIZE: 17.0L x 9.0H x 11.8W
 COLOR: Black
 MATERIAL: PA66 HS IM
 TERMINALS: See Page 56

H PART NO: 12047782
 DESCRIPTION: Connector 3M (Clip Slot)
 SIZE: 33.0L x 10.1H x 15.4W
 COLOR: Black
 MATERIAL: PA66 HS IM
 TERMINALS: See Page 57

G PART NO: 12047783
 DESCRIPTION: TPA
 COLOR: Md. Gray
 MATERIAL: PA66 HS IM

J PART NO: 12047784
 DESCRIPTION: TPA
 COLOR: Gray
 MATERIAL: PBT



Total Mated Length: 47.1mm

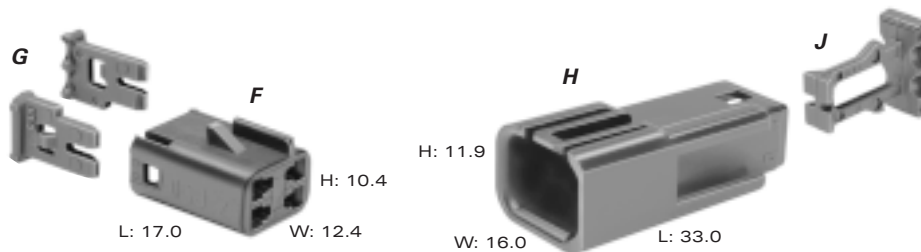
A PART NO: 12064758
 DESCRIPTION: Connector 3F
 SIZE: 21.4L x 17.3H x 11.8W
 COLOR: Black
 MATERIAL: PA66 HS IM
 TERMINALS: See Page 56

D PART NO: 12064759
 DESCRIPTION: Connector 3M (Clip Slot)
 SIZE: 33.0L x 17.3H x 15.4W
 COLOR: Black
 MATERIAL: PBT
 TERMINALS: See Page 57

B PART NO: 12047783
 DESCRIPTION: TPA
 COLOR: Md. Gray
 MATERIAL: PA66 HS IM

E PART NO: 12047784
 DESCRIPTION: TPA
 COLOR: Gray
 MATERIAL: PBT

C PART NO: 12052834
 DESCRIPTION: CPA
 COLOR: Green
 MATERIAL: PP



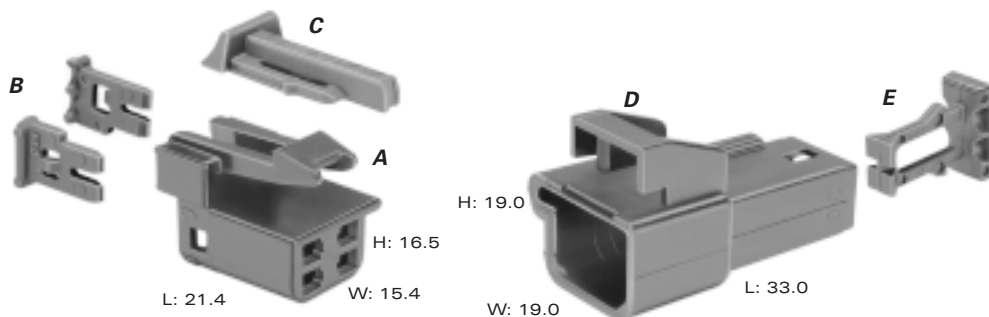
Total Mated Length: 42.2mm

F PART NO: 12047785
 DESCRIPTION: Connector 4F
 SIZE: 17.0L x 10.4H x 12.4W
 COLOR: Black
 MATERIAL: PA66 HS IM
 TERMINALS: See Page 56

H PART NO: 12047786
 DESCRIPTION: Connector 4M (Clip Slot)
 SIZE: 33.0L x 11.9H x 16.0W
 COLOR: Black
 MATERIAL: PA66 HS IM
 TERMINALS: See Page 57

G PART NO: 12047664
 DESCRIPTION: TPA
 NUMBER REQ: 2
 COLOR: Md. Gray
 MATERIAL: PA66 HS IM

J PART NO: 12047787
 DESCRIPTION: TPA
 COLOR: Blue
 MATERIAL: PBT



Total Mated Length: 47.9mm

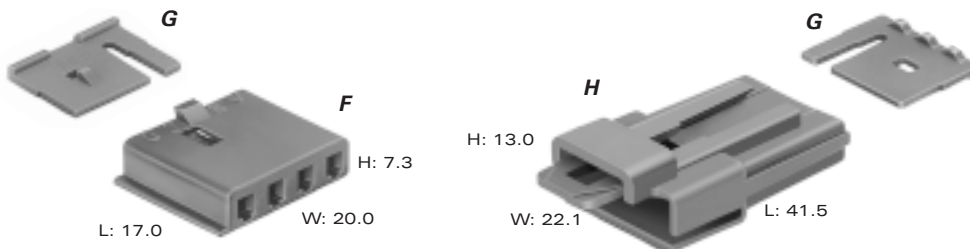
A PART NO: 12064760
 DESCRIPTION: Connector 4F
 SIZE: 21.4L x 16.5H x 15.4W
 COLOR: Black
 MATERIAL: PA66 HS IM
 TERMINALS: See Page 56

D PART NO: 12064761
 DESCRIPTION: Connector 4M (Clip Slot)
 SIZE: 33.0L x 19.0H x 19.0W
 COLOR: Black
 MATERIAL: PBT
 TERMINALS: See Page 57

B PART NO: 12047664
 DESCRIPTION: TPA
 NUMBER REQ: 2
 COLOR: Md. Gray
 MATERIAL: PA66 HS IM

E PART NO: 12047787
 DESCRIPTION: TPA
 COLOR: Blue
 MATERIAL: PBT

C PART NO: 12052834
 DESCRIPTION: CPA
 COLOR: Green
 MATERIAL: PP

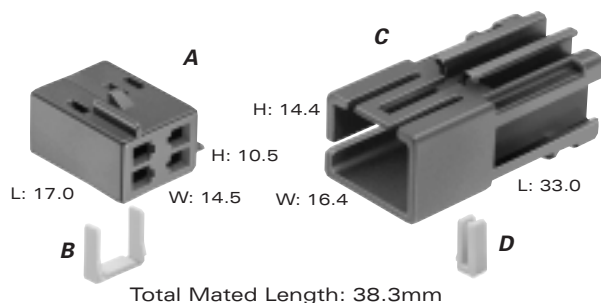


Total Mated Length: 43.3mm

F PART NO: 12092162
 DESCRIPTION: Connector 4F
 SIZE: 17.0L x 7.3H x 20.0W
 COLOR: Black
 MATERIAL: PA66 HS IM
 TERMINALS: See Page 56

H PART NO: 12092163
 DESCRIPTION: Connector 4M (Clip Slot)
 SIZE: 41.5L x 13.0H x 22.1W
 COLOR: Black
 MATERIAL: PA66 HS IM
 TERMINALS: See Page 57

G PART NO: 12092164
 DESCRIPTION: TPA
 NUMBER REQ: 2
 COLOR: Blue
 MATERIAL: PA6

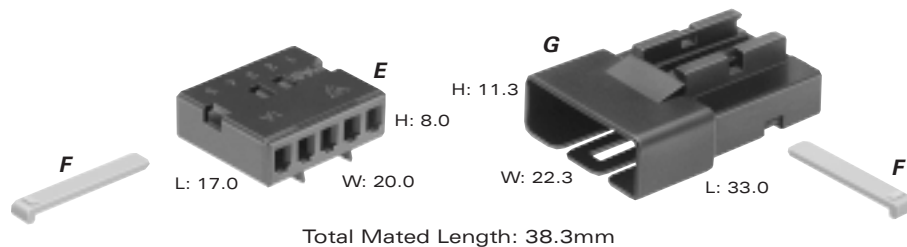


A PART NO: **12131283**
 DESCRIPTION: Connector 4F
 SIZE: 17.0L x 10.5H x 14.5W
 COLOR: Black
 MATERIAL: PA66
 TERMINALS: See Page 56

C PART NO: **12131285**
 DESCRIPTION: Connector 4M (Clip Slot)
 SIZE: 33.0L x 14.4H x 16.4W
 COLOR: Black
 MATERIAL: PA66
 TERMINALS: See Page 57

B PART NO: **12131361**
 DESCRIPTION: Secondary Lock
 COLOR: Yellow
 MATERIAL: PA66 25% GF

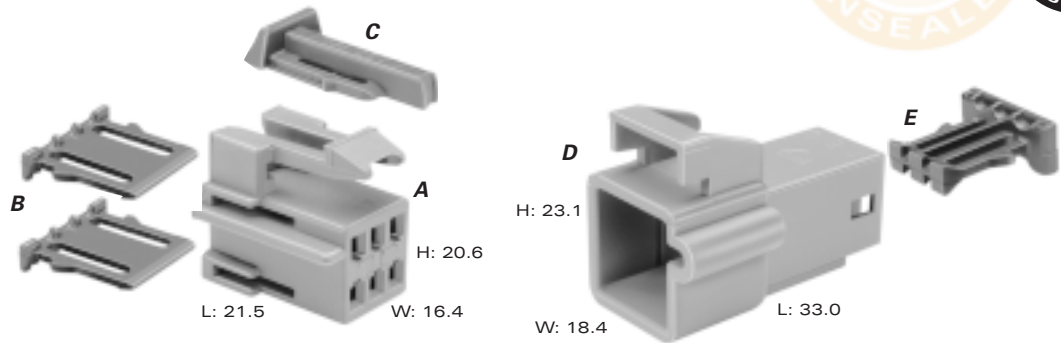
D PART NO: **12131372**
 DESCRIPTION: Secondary Lock
 COLOR: Yellow
 MATERIAL: PA66 25% GF
 NOTE: M Clip-on Connector also available



E PART NO: **12147054**
 DESCRIPTION: Connector 5F
 SIZE: 17.0L x 8.0H x 20.0W
 COLOR: Black
 MATERIAL: PA66
 TERMINALS: See Page 56

G PART NO: **12185636**
 DESCRIPTION: Connector 5M (Clip Slot)
 SIZE: 33.0L x 11.3H x 22.3W
 COLOR: Black
 MATERIAL: PA66
 TERMINALS: See Page 57
 NOTE: Clip Version available

F PART NO: **12147055**
 DESCRIPTION: Secondary Lock
 NUMBER REQ: 2
 COLOR: Yellow
 MATERIAL: PA66 25% GF



Total Mated Length: 50.1mm

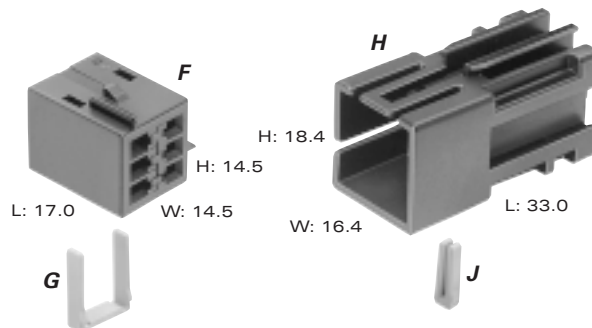
A PART NO: 12064762
 DESCRIPTION: Connector 6F
 SIZE: 21.5L x 20.6H x 16.4W
 COLOR: Gray
 MATERIAL: PBT
 TERMINALS: See Page 56

D PART NO: 12064763
 DESCRIPTION: Connector 6M (Clip Slot)
 SIZE: 33.0L x 23.1H x 18.4W
 COLOR: Gray
 MATERIAL: PBT
 TERMINALS: See Page 57

B PART NO: 12064764
 DESCRIPTION: TPA
 NUMBER REQ: 2
 COLOR: Blue
 MATERIAL: PBT

E PART NO: 12064765
 DESCRIPTION: TPA
 COLOR: Black
 MATERIAL: PBT

C PART NO: 12052834
 DESCRIPTION: CPA
 COLOR: Green
 MATERIAL: PP



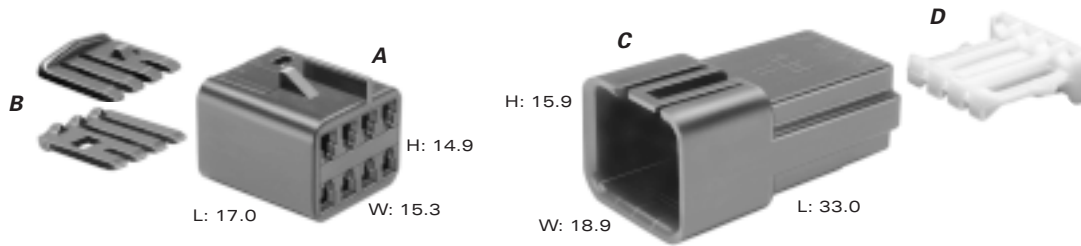
Total Mated Length: 38.3mm

F PART NO: 15396848
 DESCRIPTION: Connector 6F
 SIZE: 17.0L x 14.5H x 14.5W
 COLOR: Black
 MATERIAL: PA66
 TERMINALS: See Page 56

H PART NO: 15396849
 DESCRIPTION: Connector 6M
 SIZE: 33.0L x 18.4H x 16.4W
 COLOR: Black
 MATERIAL: PA66
 TERMINALS: See Page 57

G PART NO: 12131358
 DESCRIPTION: Secondary Lock
 COLOR: Yellow
 MATERIAL: PA66 25% GF

J PART NO: 12131370
 DESCRIPTION: Secondary Lock
 COLOR: Yellow
 MATERIAL: PA66 25% GF



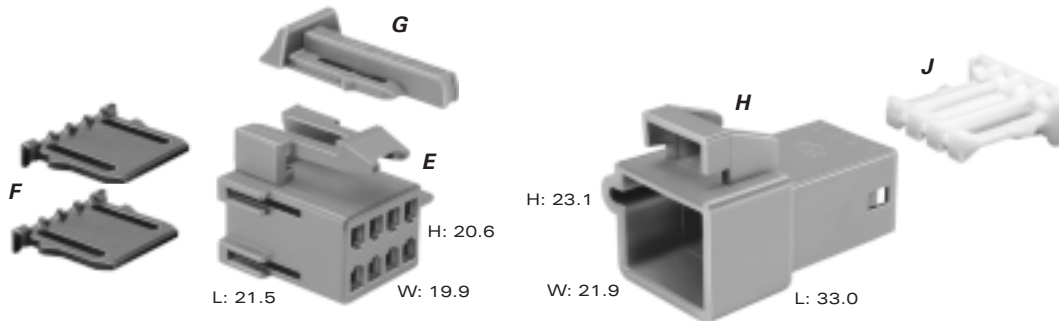
Total Mated Length: 41.2mm

A PART NO: **12047886**
 DESCRIPTION: Connector 8F
 SIZE: 17.0L x 14.9H x 15.3W
 COLOR: Black
 MATERIAL: PA66 HS IM
 TERMINALS: See Page 56

C PART NO: **12045688**
 DESCRIPTION: Connector 8M (Clip Slot)
 SIZE: 33.0L x 15.9H x 18.9W
 COLOR: Black
 MATERIAL: PA66 HS IM
 TERMINALS: See Page 57

B PART NO: **12045689**
 DESCRIPTION: TPA
 NUMBER REQ: 2
 COLOR: Md. Gray
 MATERIAL: PA66 HS IM

D PART NO: **12045690**
 DESCRIPTION: TPA
 COLOR: Natural
 MATERIAL: PBT



Total Mated Length: 48.3mm

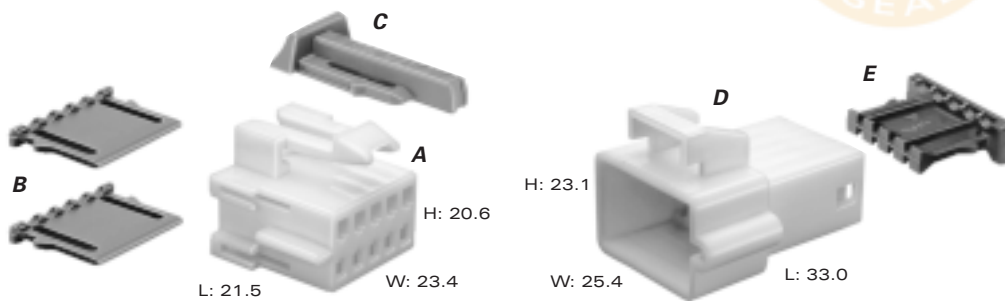
E PART NO: **12064766**
 DESCRIPTION: Connector 8F
 SIZE: 21.5L x 20.6H x 19.9W
 COLOR: Blue
 MATERIAL: PBT
 TERMINALS: See Page 56

H PART NO: **12064767**
 DESCRIPTION: Connector 8M (Clip Slot)
 SIZE: 33.0L x 23.1H x 21.9W
 COLOR: Blue
 MATERIAL: PBT
 TERMINALS: See Page 57

F PART NO: **12064768**
 DESCRIPTION: TPA
 NUMBER REQ: 2
 COLOR: Black
 MATERIAL: PBT

J PART NO: **12045690**
 DESCRIPTION: TPA
 COLOR: Natural
 MATERIAL: PBT

G PART NO: **12052834**
 DESCRIPTION: CPA
 COLOR: Green
 MATERIAL: PP



Total Mated Length: 48.3mm

A PART NO: 12064769
 DESCRIPTION: Connector 10F
 SIZE: 21.5L x 20.6H x 23.4W
 COLOR: Natural
 MATERIAL: PBT
 TERMINALS: See Page 56

B PART NO: 12064771
 DESCRIPTION: TPA
 NUMBER REQ: 2
 COLOR: Md. Gray
 MATERIAL: PA66 HS IM

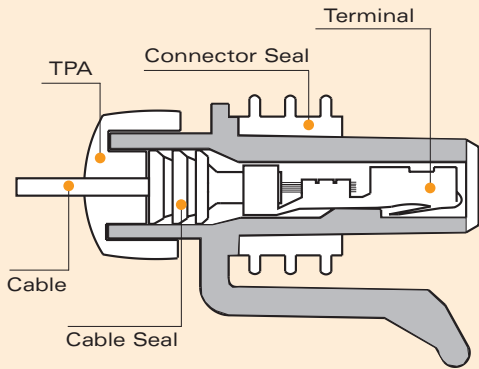
C PART NO: 12052834
 DESCRIPTION: CPA
 COLOR: Green
 MATERIAL: PP

D PART NO: 12064770
 DESCRIPTION: Connector 10M (Clip Slot)
 SIZE: 33.0L x 23.1H x 25.4W
 COLOR: Natural
 MATERIAL: PBT
 TERMINALS: See Page 57

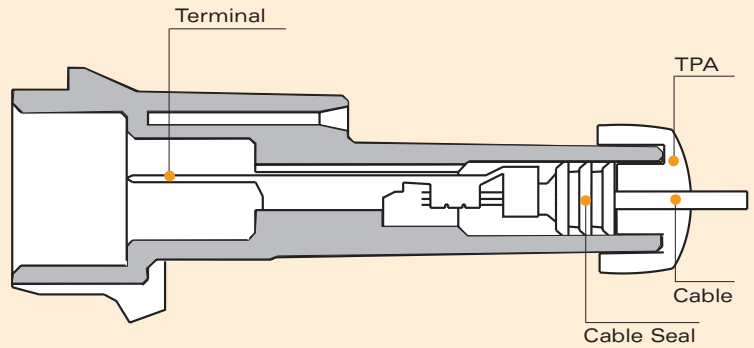
E PART NO: 12064772
 DESCRIPTION: TPA
 COLOR: Black
 MATERIAL: PBT



Cross Sectional View



Female Connector Assembly



Male Connector



TPA
(Terminal Position Assurance)

Female Terminal
Cable Seal



Female Connector Assembly

150 FEMALE TERMINALS SEALED

Part #	Cable Range (mm ²)	Material	Plating
12048074	1.0-0.80	Silicon Bronze	Tin
12084200	0.50-0.35	Silicon Bronze	Tin
12160223	1.0-0.80	Beryllium Copper	Silver/Nickel
12160222	0.50-0.35	Beryllium Copper	Silver/Nickel



150.2 PULL-TO-SEAT FEMALE TERMINALS*

Part #	Cable Range (mm ²)	Material	Plating
12124075	1.0-0.80	Silicon Bronze	Tin
12124076	0.50-0.35	Silicon Bronze	Tin
12161184	1.0-0.80	Beryllium Copper	Silver/Nickel

* To be used with female connections, see page 76



150 METRI-PACK CABLE SEALS

Reel Part #	Loose Part #	Cable Diameter	Material	Color
12052924	12048086	2.85-2.03	Silicone	Dk. Red
12089442	12089678	2.15-1.60	Silicone	White
12052925	12048087	1.70-1.29	Silicone	Blue
12124669	12084193	1.009-0.995	Silicone	Tan

150 FEMALE CONNECTOR ASSEMBLIES SEALED

# Cavities	Conn. Asm.	Color	Material	TPA
2	12052641	Black	PA66 HS IM	12052634
3	12110293	Black	PA66 HS IM	12052845
4	12162144	Black	PA66 HS IM	12047948
5	12146045	Natural	PA6	12092844
6	12052848	Black	PA6	12052850
8	12047937	Black	PA66 HS IM	12066304
10	12065425	Black	PA66 HS IM	12124264

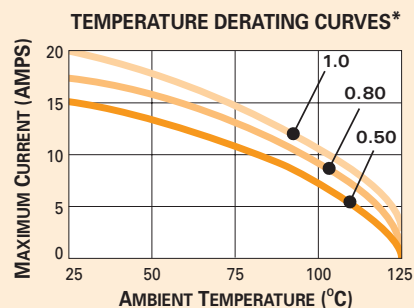
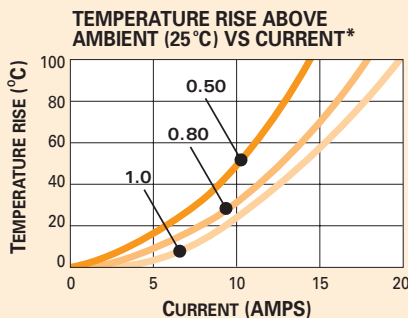
<http://delphi.com/products/connect>



Sealed System Application Information

CABLE RANGE (mm²): 0.35-1.0
CURRENT RANGE (AMPS): 0-14
TEMP RANGE °C: -40 to 125
RESISTANCE: <10mΩ@20mV
VOLTAGE DROP: <10.0 mV/amp
CENTERLINE SPACING (mm): 6.0
BLADE WIDTH (mm): 1.5

150 SERIES TERMINALS-Tin Plated



*The test data are based on single circuits in free space and were generated using a "Lumped Resistance" model. This model does not account for all of the variables that would be present in an actual application. For actual product performance, contact your regional support representative at the number listed below.



CPA
(Connector Position Assurance)



Male Connector



Male Terminal



Cable Seal

TPA
(Terminal Position Assurance)

150 MALE TERMINALS SEALED

Part #	Cable Range (mm ²)	Material	Plating
12045773	1.0-0.80	Tin Brass	Tin
12077628	0.50-0.35	Tin Brass	Tin



150 MALE CONNECTORS SEALED

# Cavities	Connector	Color	Material	TPA
2	12162000	Black	PA66 HS IM	12052634
3	12129615	Black	PA66 HS IM	12052845
4	12162102	Black	PBT 30% GF	12047948
5	12103974	Natural	PBT 30% GF	12092844
6	12124107	Black	PA66 HS IM	12052850
8	12047931	Black	PBT 30% GF	15324525
10	12045808	Black	PBT 30% GF	12124264

150 METRI-PACK CAVITY PLUG*

Part #	Cavity Inside Diameter	Material	Color
12059168	5.2mm	Silicone	Dk. Red

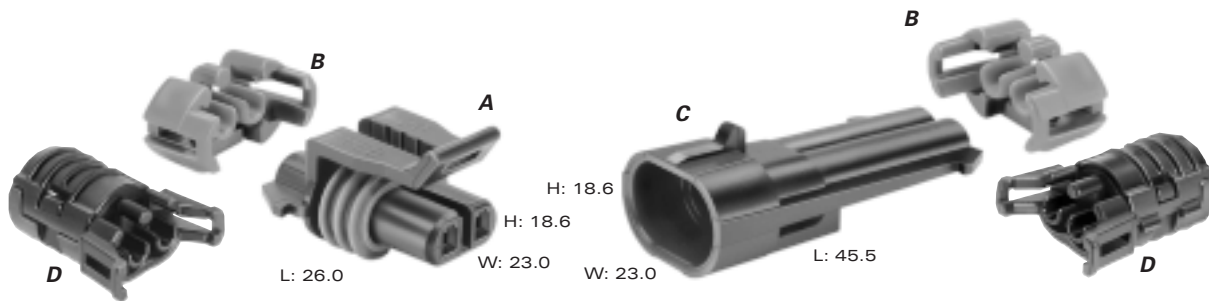
*Cavity plugs seal unused female and male cavities

SECTION NOTES:

Contact your regional support representative at the number listed below.

- Due to rigid tolerances of connector cavities, it is critical to meet all crimp dimensions as specified.
- Different color and connector indexing features are also available.
- Female connections for device applications, see page 75.

<http://delphi.com/products/connect>



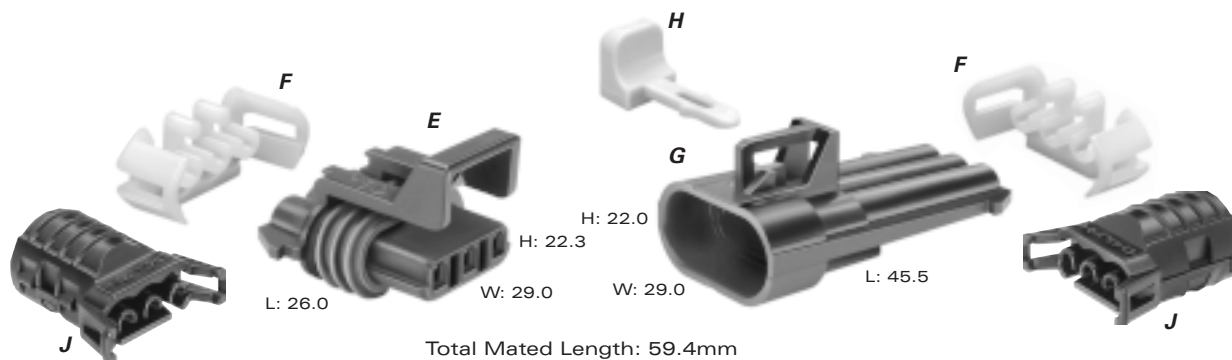
Total Mated Length: 58.5mm

A PART NO: **12052641 (Black)**
12052644 (Lt. Gray)
 DESCRIPTION: Connector Assembly 2F
 SIZE: 26.0L x 18.6H x 23.0W
 MATERIAL: PA66 HS IM
 TERMINALS: See Page 66
 SEALS/PLUGS: See Page 66, 67

C PART NO: **12162000 (Black)**
12162343 (Lt. Gray)
 DESCRIPTION: Connector 2M (Clip Slot-Self Locking)
 SIZE: 45.5L x 18.6H x 23.0W
 MATERIAL: PA66 HS IM
 TERMINALS: See Page 67
 SEALS/PLUGS: See Page 66, 67

B PART NO: **12052634**
 DESCRIPTION: TPA
 NUMBER REQ: 2
 COLOR: Blue
 MATERIAL: PA66 HS IM

D PART NO: **15327799 (Optional)**
 DESCRIPTION: Conduit TPA
 NUMBER REQ: 2
 COLOR: Black
 MATERIAL: PA6



Total Mated Length: 59.4mm

E PART NO: **12110293**
 DESCRIPTION: Connector Assembly 3F
 SIZE: 26.0L x 22.3H x 29.0W
 COLOR: Black
 MATERIAL: PA66 HS IM
 TERMINALS: See Page 66
 SEALS/PLUGS: See Page 66, 67

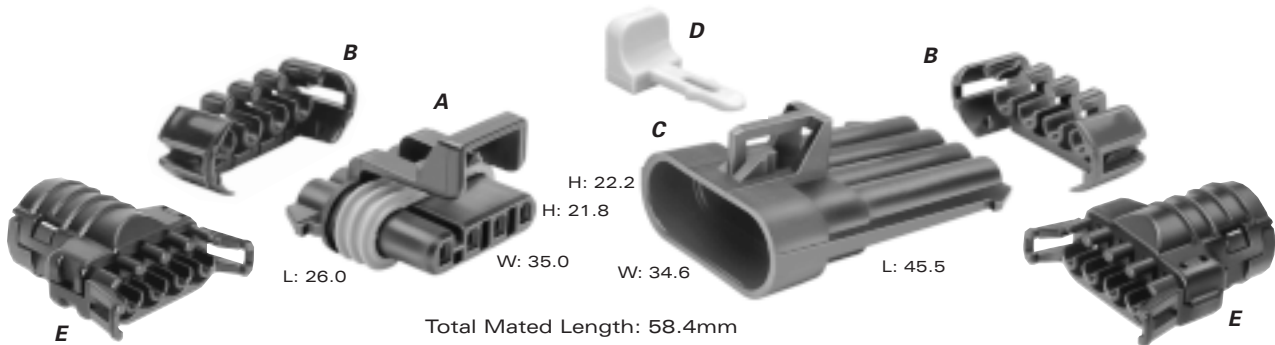
G PART NO: **12129615**
 DESCRIPTION: Connector 3M (Clip Slot-Self Locking)
 SIZE: 45.5L x 22.0H x 29.0W
 COLOR: Black
 MATERIAL: PA66 HS IM
 TERMINALS: See Page 67
 SEALS/PLUGS: See Page 66, 67

F PART NO: **12052845**
 DESCRIPTION: TPA
 NUMBER REQ: 2
 COLOR: Natural
 MATERIAL: PA66 HS IM

H PART NO: **12020833**
 DESCRIPTION: CPA
 COLOR: Gray
 MATERIAL: PBT

J PART NO: **10740397 (Optional)**
 DESCRIPTION: Conduit TPA
 NUMBER REQ: 2
 COLOR: Black
 MATERIAL: PA6

<http://delphi.com/products/connect>



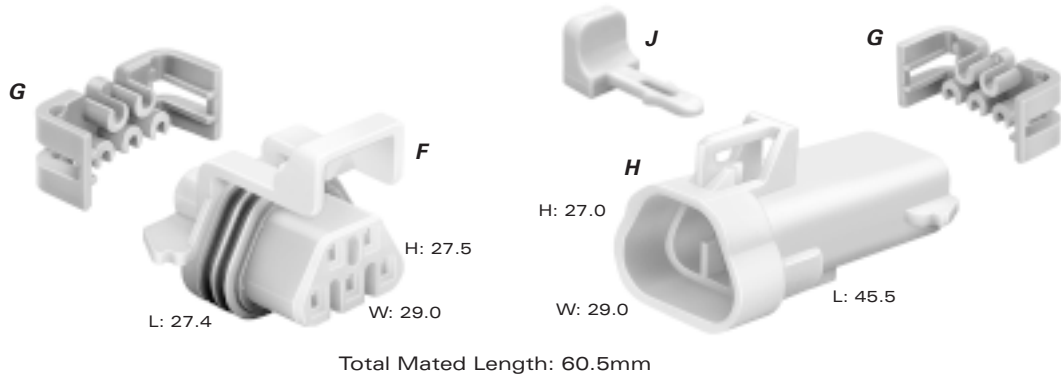
A PART NO: 12162144
 DESCRIPTION: Connector Assembly 4F
 SIZE: 26.0L x 21.8H x 35.0W
 COLOR: Black
 MATERIAL: PA66 HS IM
 TERMINALS: See Page 66
 SEALS/PLUGS: See Page 66, 67

C PART NO: 12162102
 DESCRIPTION: Connector 4M (Clip Slot-Self Locking)
 SIZE: 45.5L x 22.2H x 34.6W
 COLOR: Black
 MATERIAL: PBT 30% GF
 TERMINALS: See Page 67
 SEALS/PLUGS: See Page 66, 67

B PART NO: 12047948
 DESCRIPTION: TPA
 NUMBER REQ: 2
 COLOR: Black
 MATERIAL: PA66 HS IM

D PART NO: 12020833
 DESCRIPTION: CPA
 COLOR: Gray
 MATERIAL: PBT

E PART NO: 10719337 (Optional)
 DESCRIPTION: Conduit TPA
 NUMBER REQ: 2
 COLOR: Black
 MATERIAL: PA6

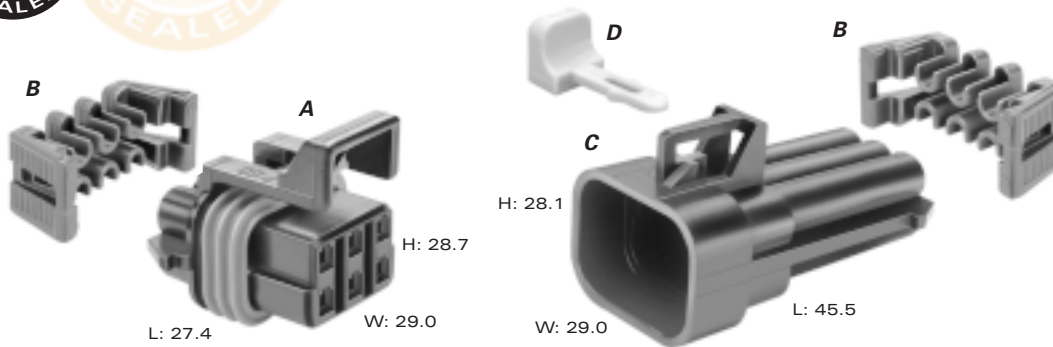


F PART NO: 12146045
 DESCRIPTION: Connector Assembly 5F
 SIZE: 27.4L x 27.5H x 29.0W
 COLOR: Natural
 MATERIAL: PA6
 TERMINALS: See Page 66
 SEALS/PLUGS: See Page 66, 67

H PART NO: 12103974
 DESCRIPTION: Connector 5M
 SIZE: 45.5L x 27.0H x 29.0W
 COLOR: Natural
 MATERIAL: PBT 30% GF
 TERMINALS: See Page 67
 SEALS/PLUGS: See Page 66, 67

G PART NO: 12092844
 DESCRIPTION: TPA
 NUMBER REQ: 2
 COLOR: Blue
 MATERIAL: PA6

J PART NO: 12020833
 DESCRIPTION: CPA
 COLOR: Gray
 MATERIAL: PBT



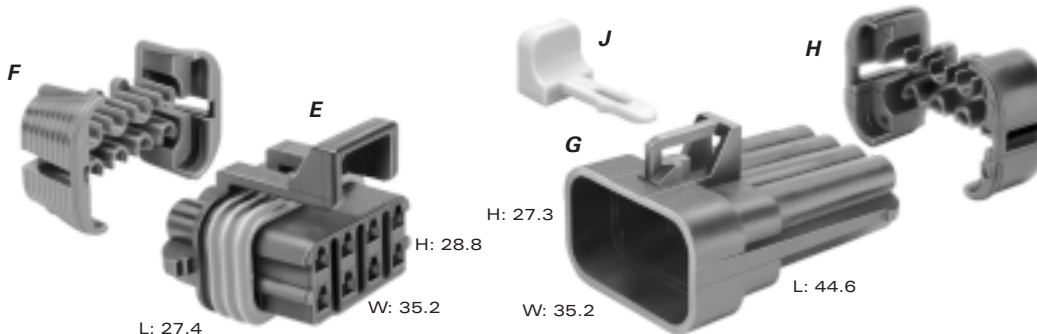
Total Mated Length: 60.5mm

A PART NO: 12052848
 DESCRIPTION: Connector Assembly 6F
 SIZE: 27.4L x 28.7H x 29.0W
 COLOR: Black
 MATERIAL: PA6
 TERMINALS: See Page 66
 SEALS/PLUGS: See Page 66, 67

C PART NO: 12124107
 DESCRIPTION: Connector 6M (Clip Slot-Self Locking)
 SIZE: 45.5L x 28.1H x 29.0W
 COLOR: Black
 MATERIAL: PA66 HS IM
 TERMINALS: See Page 67
 SEALS/PLUGS: See Page 66, 67

B PART NO: 12052850
 DESCRIPTION: TPA
 NUMBER REQ: 2
 COLOR: Md. Gray
 MATERIAL: PA6

D PART NO: 12020833
 DESCRIPTION: CPA
 COLOR: Gray
 MATERIAL: PBT



Total Mated Length: 60.4mm

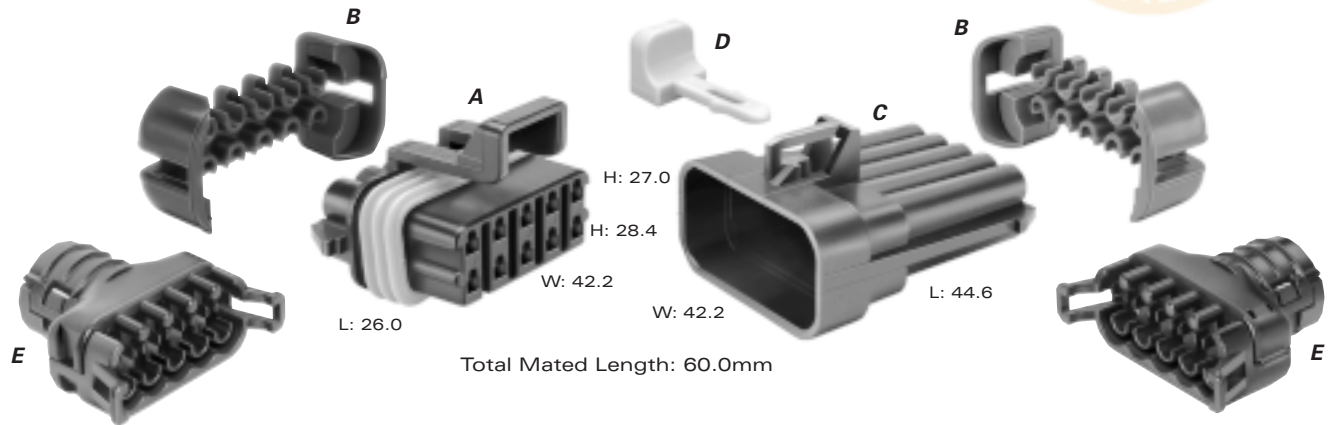
E PART NO: 12047937 (Black)
 DESCRIPTION: Connector Assembly 8F
PART NO: 12047938 (Lt. Gray)
 DESCRIPTION: Connector Assembly 7F
PART NO: 12052600 (Md. Gray)
 DESCRIPTION: Connector Assembly 5F
 SIZE: 27.4L x 28.8H x 35.2W
 MATERIAL: PA66 HS IM
 TERMINALS: See Page 66
 SEALS/PLUGS: See Page 66, 67

G PART NO: 12047931 (Black)
 DESCRIPTION: Connector 8M (Clip Slot)
PART NO: 12047933 (Lt. Gray)
 DESCRIPTION: Connector 7M (Clip Slot)
PART NO: 12052480 (Dk. Gray)
 DESCRIPTION: Connector 5M (Clip Slot)
 SIZE: 44.6L x 27.3H x 35.2W
 MATERIAL: PBT 30% GF
 TERMINALS: See Page 67
 SEALS/PLUGS: See Page 66, 67

F PART NO: 12066304
 DESCRIPTION: TPA
 COLOR: Md. Gray
 MATERIAL: PA66 HS IM

H PART NO: 15324525
 DESCRIPTION: TPA
 COLOR: Black
 MATERIAL: PBT

J PART NO: 12020833
 DESCRIPTION: CPA
 COLOR: Gray
 MATERIAL: PBT



**A PART NO: 12065425 (Black)
12065426 (Md. Gray)**

DESCRIPTION: Connector Assembly 10F
 SIZE: 26.0L x 28.4H x 42.2W
 MATERIAL: PA66 HS IM
 TERMINALS: See Page 66
 SEALS/PLUGS: See Page 66, 67

B PART NO: 12124264

DESCRIPTION: TPA
 NUMBER REQ: 2
 COLOR: Md. Gray
 MATERIAL: PA6

**C PART NO: 12045808 (Black)
12052189 (Lt. Gray)**

DESCRIPTION: Connector 10M (Clip Slot)
 SIZE: 44.6L x 27.0H x 42.2W
 MATERIAL: PBT 30% GF
 TERMINALS: See Page 67
 SEALS/PLUGS: See Page 66, 67

D PART NO: 12020833

DESCRIPTION: CPA
 COLOR: Gray
 MATERIAL: PBT

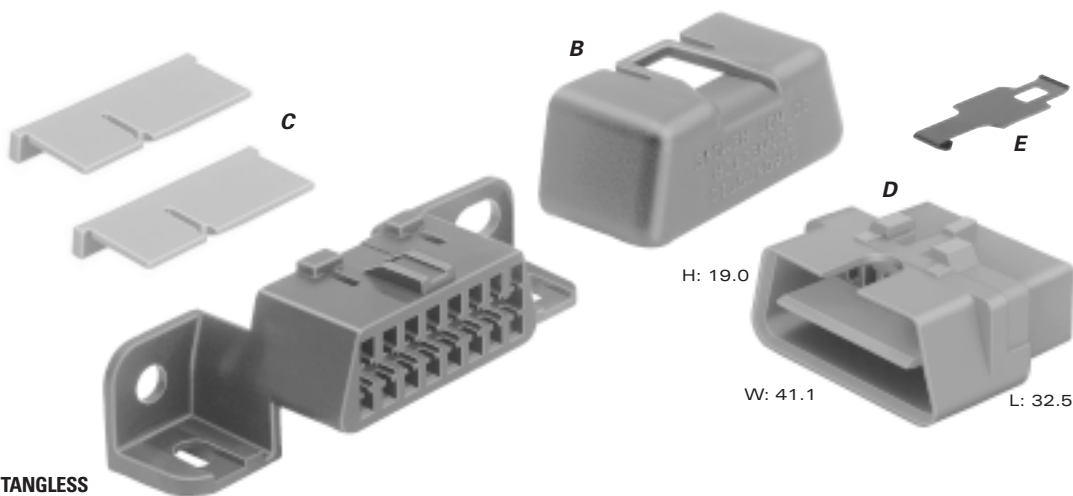
E PART NO: 10719339 (Optional)

DESCRIPTION: Conduit TPA
 NUMBER REQ: 2
 COLOR: Black
 MATERIAL: PA6



Metri-Pack OBD II— On-Board Diagnostic Connection System

The On-Board Diagnostic Connection System is designed to meet SAE J1962 specifications using ISO standard male terminals. The **16 Terminal Male Test Equipment Connector** includes a nylon insulator with ISO standard copper alloy male terminals. The **Female Vehicle Connector** is designed for under dash application, and accepts 150 Series Metri-Pack tangless female terminals available in silicon bronze.



A PART NO: 12110250

DESCRIPTION: Connector 16F (Fastener Mounting)
 SIZE: 27.0L x 23.2H x 69.1W
PART NO: 15317575
 DESCRIPTION: Connector 16F (Snap Mounting)
 SIZE: 17.0L x 23.2H x 52.0W
 COLOR: Black
 MATERIAL: PA66 HS IM
 TERMINALS: See Page 56

D PART NO: 12110252

DESCRIPTION: Connector 16M
 SIZE: 32.5L x 19.0H x 41.1W
 COLOR: Red
 MATERIAL: PBT 30% GF
 TERMINALS: See Page 57
 NOTE: For molding details refer to drawing 12110256

B PART NO: 12146933

DESCRIPTION: Cover
 COLOR: Black
 MATERIAL: PP

E PART NO: 12110254

DESCRIPTION: Clip
 MATERIAL: Stainless Steel

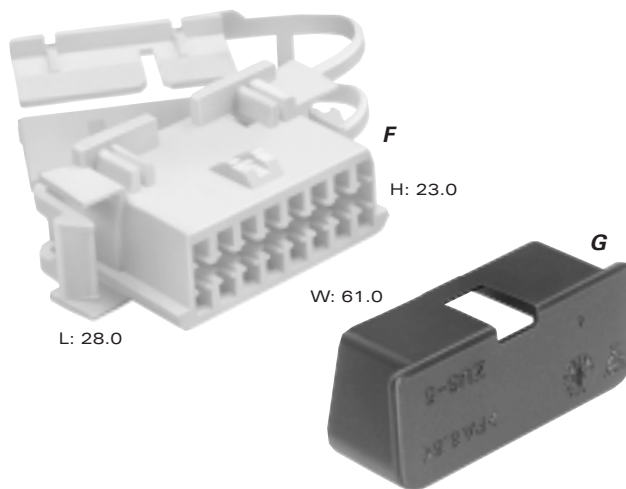
C PART NO: 12160437

DESCRIPTION: TPA
 NUMBER REQ: 2
 COLOR: Blue
 MATERIAL: PA6



F PART NO: 12185280

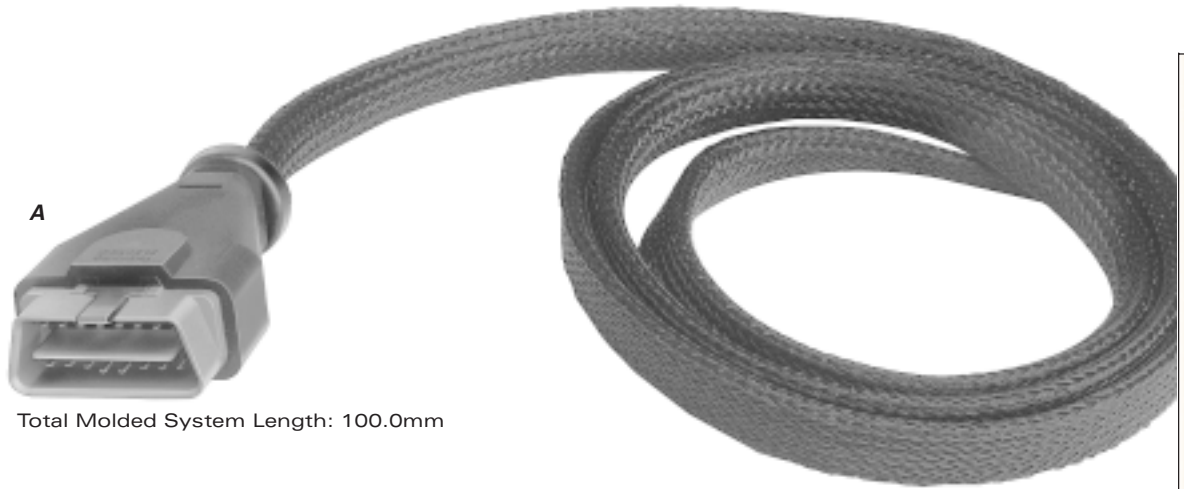
DESCRIPTION: Connector 16F
 SIZE: 28.0L x 23.0H x 61.0W
 COLOR: White
 MATERIAL: PA66
 TERMINALS: See Page 56



G PART NO: 12185279

DESCRIPTION: Cover
 COLOR: Black
 MATERIAL: PA66

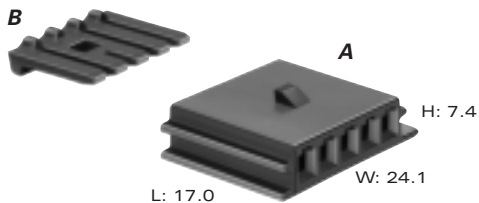
<http://delphi.com/products/connect>



Total Molded System Length: 100.0mm

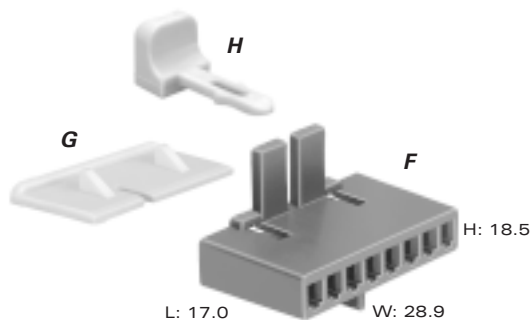
A DESCRIPTION: Connector Assembly 16M OBD II

PART NO:	12143692
LENGTH:	3 Feet (915mm)
PART NO:	12143693
LENGTH:	8 Feet (2440mm)
PART NO:	12143694
LENGTH:	12 Feet (3660mm)



A PART NO: 12059800
DESCRIPTION: Connector 5F
SIZE: 17.0L x 7.4H x 24.1W
COLOR: Black
MATERIAL: PA6
TERMINALS: See Page 56
TYPICAL APP: Motor

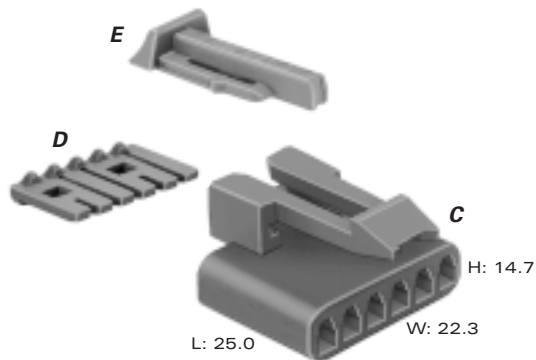
B PART NO: 12059801
DESCRIPTION: TPA
COLOR: Md. Gray
MATERIAL: PA66 HS IM



F PART NO: 12064862
DESCRIPTION: Connector 8F
SIZE: 17.0L x 18.5H x 28.9W
COLOR: Black
MATERIAL: PBT
TERMINALS: See Page 56
TYPICAL APP: Mirror Switch

G PART NO: 12064863
DESCRIPTION: TPA
COLOR: Lt. Gray
MATERIAL: PA6

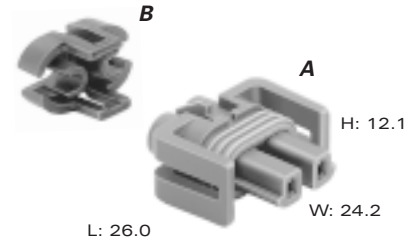
H PART NO: 12020833
DESCRIPTION: CPA
COLOR: Gray
MATERIAL: PBT



C PART NO: 12064860
DESCRIPTION: Connector 6F
SIZE: 25.0L x 14.7H x 22.3W
COLOR: Black
MATERIAL: PBT
TERMINALS: See Page 56
TYPICAL APP: Switch

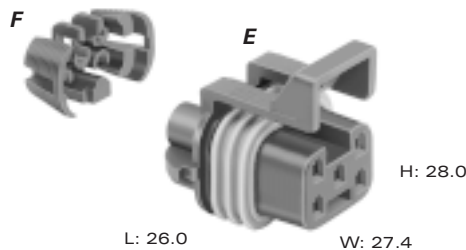
D PART NO: 12064861
DESCRIPTION: TPA
COLOR: Md. Gray
MATERIAL: PA66 HS IM

E PART NO: 12052834
DESCRIPTION: CPA
COLOR: Green
MATERIAL: PP



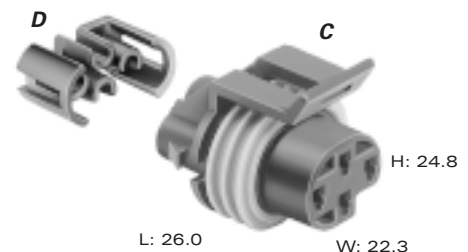
A PART NO: 12162017
 DESCRIPTION: Connector Assembly 2F
 SIZE: 26.0L x 12.1H x 24.2W
 COLOR: Md. Gray
 MATERIAL: PA66 HS IM
 TERMINALS: See Page 66
 SEALS/PLUGS: See Page 66, 67
 TYPICAL APP: Compressor

B PART NO: 12124824
 DESCRIPTION: TPA
 COLOR: Black
 MATERIAL: PA66 HS IM



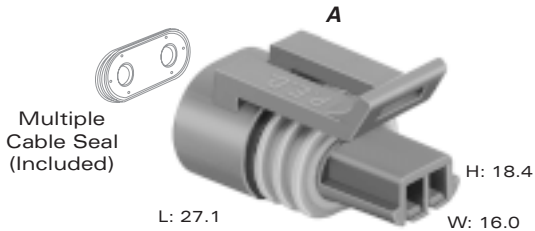
E PART NO: 12077591
 DESCRIPTION: Connector Assembly 5F
 SIZE: 26.0L x 28.0H x 27.4W
 COLOR: Black
 MATERIAL: PA66 HS IM
 TERMINALS: See Page 66
 SEALS/PLUGS: See Page 66, 67
 TYPICAL APP: EGR Valve

F PART NO: 12052898
 DESCRIPTION: TPA
 COLOR: Black
 MATERIAL: PA66 HS IM

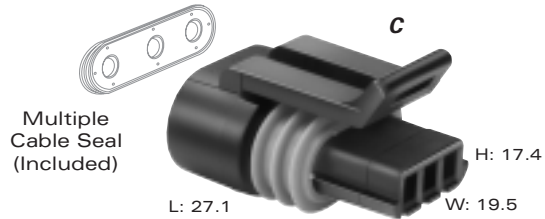


C PART NO: 12065298
 DESCRIPTION: Connector Assembly 4F
 SIZE: 26.0L x 24.8H x 22.3W
 COLOR: Black
 MATERIAL: PA66 HS IM
 TERMINALS: See Page 66
 SEALS/PLUGS: See Page 66, 67
 TYPICAL APP: Switch

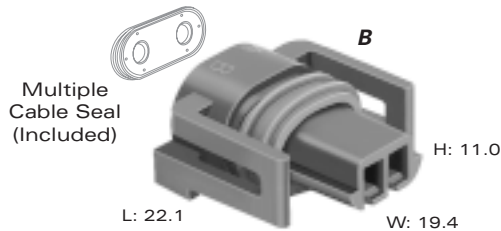
D PART NO: 12066176
 DESCRIPTION: TPA
 COLOR: Black
 MATERIAL: PA66 HS IM



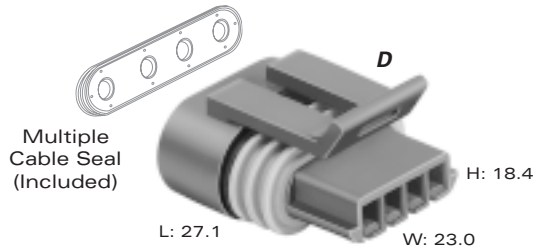
- A** PART NO: **12162193 (Black/Green Seal)**
2.66 -2.00 Cable O.D.
- PART NO: **12162197 (Gray/Green Seal)**
2.66 -2.00 Cable O.D.
- PART NO: **12162194 (Black/Tan Seal)**
2.15 -1.65 Cable O.D.
- PART NO: **12162198 (Gray/Tan Seal)**
2.15 -1.65 Cable O.D.
- PART NO: **12162195 (Black/Orange Seal)**
1.85 -1.47 Cable O.D.
- PART NO: **12162199 (Gray/Orange Seal)**
1.85 -1.47 Cable O.D.
- DESCRIPTION: Connector Assembly 2F
SIZE: 27.1L x 18.4H x 16.0W
MATERIAL: PA66 HS IM
TERMINALS: See Page 66
TYPICAL APP: Temperature Sensors



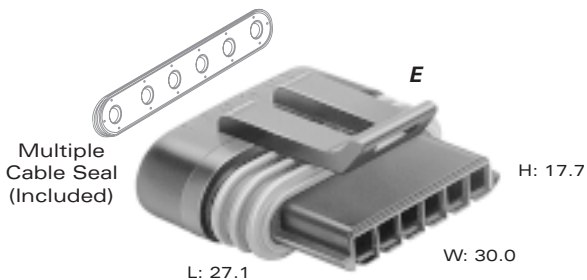
- C** PART NO: **12162182 (Black/Green Seal)**
2.66 -2.00 Cable O.D.
- PART NO: **12162280 (Gray/Green Seal)**
2.66 -2.00 Cable O.D.
- PART NO: **12162185 (Black/Lt. Gray Seal)**
2.15 -1.65 Cable O.D.
- PART NO: **12162279 (Gray/Lt. Gray Seal)**
2.15 -1.65 Cable O.D.
- DESCRIPTION: Connector Assembly 3F
SIZE: 27.1L x 17.4H x 19.5W
MATERIAL: PA66 HS IM
TERMINALS: See Page 66
TYPICAL APP: Crankshaft Sensor



- B** PART NO: **12162215 (Black/Brown Seal)**
2.66 -2.00 Cable O.D.
- PART NO: **12162216 (Black/Lt. Gray Seal)**
2.66 -2.00 Cable O.D.
- PART NO: **12162217 (Black/Gray Seal)**
2.15 -1.65 Cable O.D.
- PART NO: **12162218 (Gray/Yellow Seal)**
2.15 -1.65 Cable O.D.
- DESCRIPTION: Connector Assembly 2F
SIZE: 22.1L x 11.0H x 19.4W
MATERIAL: PA66 HS IM
TERMINALS: See Page 66
TYPICAL APP: Throttle Body Injector



- D** PART NO: **12162188 (Black/Green Seal)**
2.66 -2.00 Cable O.D.
- PART NO: **12162191 (Black/Blue Seal)**
2.45 -2.00 Cable O.D.
- PART NO: **12162189 (Black/Tan Seal)**
2.15 -1.65 Cable O.D.
- PART NO: **12162190 (Black/Orange Seal)**
1.85 -1.47 Cable O.D.
- DESCRIPTION: Connector Assembly 4F
SIZE: 27.1L x 18.4H x 23.0W
MATERIAL: PA66 HS IM
TERMINALS: See Page 66
TYPICAL APP: Distributor Module



- E** PART NO: **12162210 (Black/Green Seal)**
2.66 -2.00 Cable O.D.
- PART NO: **12162260 (Black/Tan Seal)**
2.15 -1.65 Cable O.D.
- PART NO: **12162261 (Black/Lt. Gray Seal)**
1.85 -1.47 Cable O.D.
- DESCRIPTION: Connector Assembly 6F
SIZE: 27.1L x 17.7H x 30.0W
MATERIAL: PA66 HS IM
TERMINALS: See Page 66
TYPICAL APP: Various