



Order no. 1987721540



Order no. 1987721021



Order no. 1987721076



Order no. 1987721074



The Bosch range for industrial applications

Have we piqued your interest? We would be pleased to hear from you. A list of our sales offices and representatives is given at the back of the catalog.

Contact reliability for passenger cars and commercial vehicles



Plugs and plug-in connections



Bosch Diagnostics			
ESI[tronic] Software	Test Equipment	Service Training	Technical Hotline

2008 | 2009

Plugs and plug-in connections

2008 | 2009



BOSCH

☎ 1 987 721 029/200703

AA/MKM3 - 03.2007 - En

© 2007 Robert Bosch GmbH
Automotive Aftermarket
Postfach 41 09 60
76225 Karlsruhe

Token fee: € 4.50

www.bosch.de/aa

Editorial closing: 31. 01. 2007
Subject to change without notice. Please direct questions and comments to our Authorized Representative in your country. This edition supersedes all previous editions.



BOSCH



BOSCH



4 047023 038845

Bosch plug-in connections to meet the highest standards



Quality, reliability and a high safety standard for maximum loading capacity

For decades now, Bosch has successfully supplied the automotive industry with innovative motor-vehicle equipment systems.

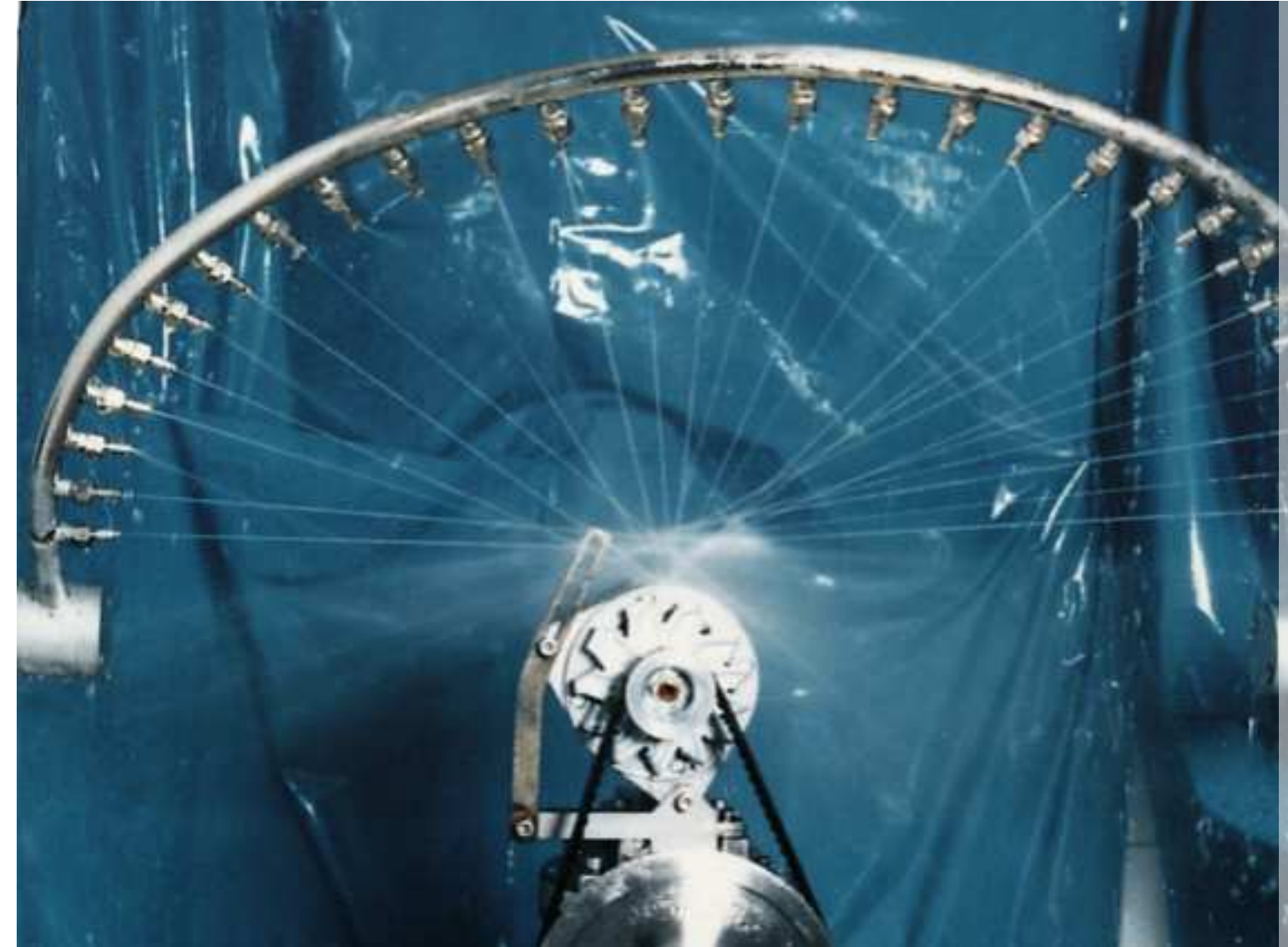
Right from the start, Bosch works closely with vehicle manufacturers to develop new plug-in connections to satisfy the requirements of the market.

The comprehensive range of components, systems and modules for passenger cars and commercial vehicles contains all the products required to enhance the safety, economy and emission standards of motor vehicles.

The range extends from low and high-way plug-in connections to special designs for specific applications.

Ultra-modern production systems, monitored manufacturing processes and a thorough test concept ensure the highest quality standards and thus reliable and safe connections.

Bosch plug-in connections – outstanding quality and total reliability



Highest standards

Years of experience, computer-assisted quality control, CAD and simulation processes all help to perfect new plug-in connections. All aspects of Bosch production comply with the process and quality criteria demanded by the market. EN ISO 9001 certification is proof of this.

Wide-ranging test equipment

To ensure Bosch plug-in connections are totally reliable, they are subjected to methodical tough testing as part of the quality assurance process. As a close associate of the automotive industry, Bosch benefits from decades of experience and excellent test equipment.

Comprehensive laboratory testing

In the course of laboratory fatigue testing under defined conditions, plug-in connections are subjected to numerous thermal-stability measurements as well as splashwater, gasoline vapor, ozone and dust tests.

Practical testing under extreme conditions

The test parameters for this phase are defined by measurements made on a rough road surface and whilst driving through water.

No-fault strategy

Full process expertise, quality assurance and close cooperation with vehicle manufacturers ensure the maintenance of a no-fault strategy both on series launch and in everyday vehicle use.

Plugs and plug-in connections

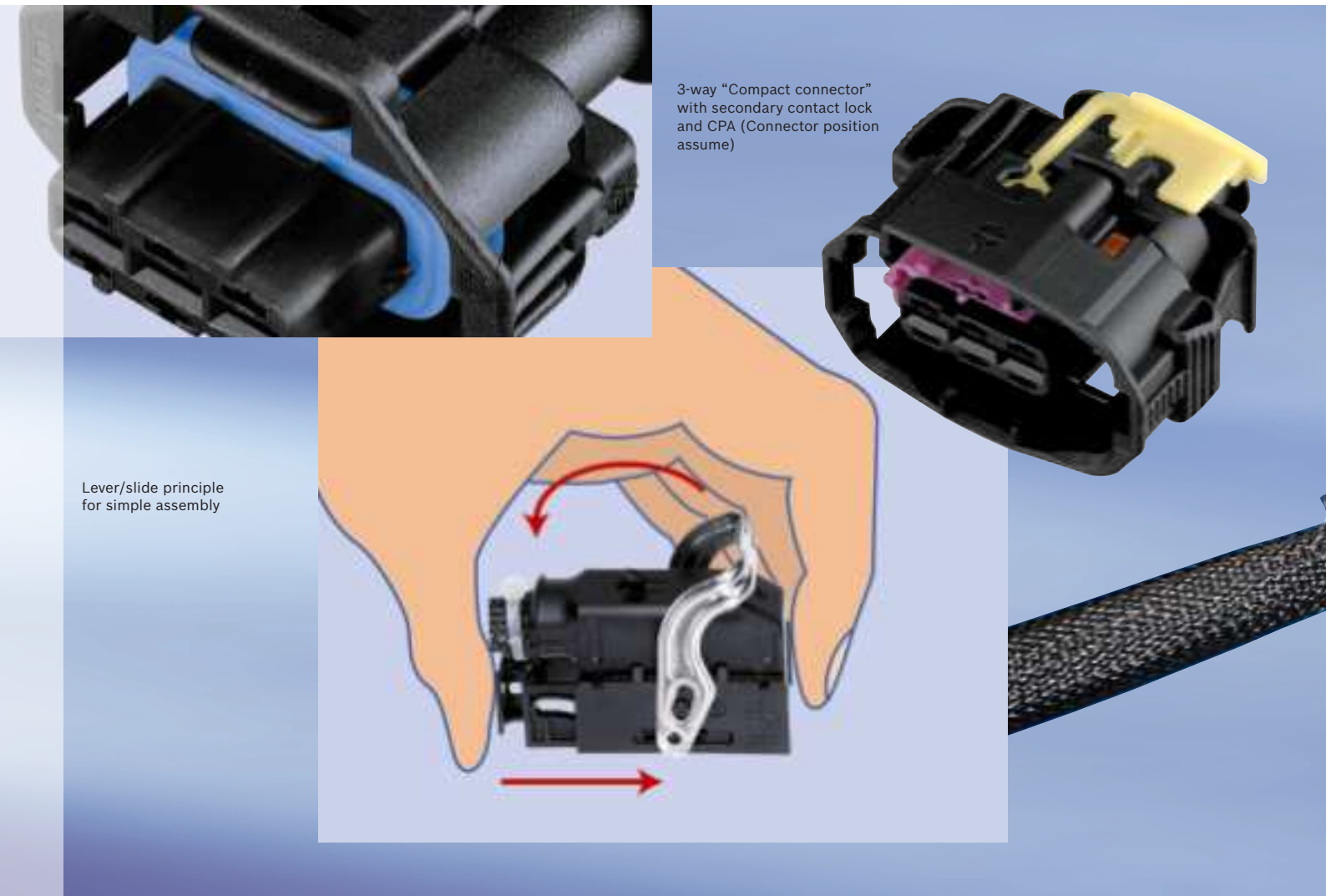
Low-way plug-in connections	5
High-way plug-in connections	97
Contacts	205
Straps	225
Sleeves	229

The products listed in this catalog are provided with the information generally required by design engineers to assess their suitability for specific applications. Dimensions are not toleranced and therefore only approximate.

Subject to change.

Only the valid quotation drawings, which we would be pleased to send on request, are binding. These can also be downloaded from <http://www.bosch-connectors.com/>

Reliable contact with Bosch plug-in connections



The ultimate in reliability

Low-way plug-in connections

These Bosch plug-in connections are used for signal and power transmission to electrical or electronic components.

The increasing use of electronic components in the automotive sector makes reliable connection even more essential.

Full contact reliability

Bosch plug-in connections always satisfy all electrical, mechanical and geometrical requirements. They ensure low contact resistance during the vehicle's entire service life. They feature high insulation resistance as well as being watertight, moisture-proof and protected against salt spray. They are also designed for easy connection and integral assembly.

64-way plug-in connection
for electronic gasoline-engine
management



Two 38-way passenger-car
plugs for Motronic

Compact design with high resistance to vibration

High-way plug-in connections in uniquely compact format: The 38-way plug-in connection

The 38-way plug-in connection is a Bosch innovation: With a contact spacing of 2.5 mm and a row spacing of 3.0 mm, this plug-in connection is ideally suited to engine-attached hybrid ECUs. The swiveling metal lever reduces the insertion force to less than 100 N.

This facilitates assembly on the vehicle and service work. Mechanical encoding rules out incorrect connection. Assembly and process reliability are thus further improved. A locking element prevents unintentional disconnection even under extreme conditions.

New connection technique: The 64-way plug-in connection

The 64-way plug-in connection from Bosch has a lever/slide combination to ensure that only a minimum of force is required. This guarantees quick and easy assembly. At the same time a high degree of connection reliability is ensured. If only limited space is available, the plug can also be used with just the slide and no lever.

Low-way plug-in connections



Note	Product categories	Page
<p>Bosch supplies a full range of connections for automotive electronic systems.</p>	▶ Jetronic plugs	6
<p>Special features of Bosch plug-in connections:</p>	▶ Jetronic coupler plugs	20
<ul style="list-style-type: none"> • Long service life • Well protected against water, moisture and salt spray • Thermally stable • Vibration-resistant • Designed for easy connection and integral assembly 	▶ Compact 1 (2..7-way)	24
<p>The complete range of low-way plug-in connections is listed in the following section. The full product range can also be found in the internet under www.bosch-connectors.com.</p>	▶ Compact 1.1 (2..5-way)	33
	▶ Compact 1.a (2..6-way)	39
	▶ Compact 1.1a (2..3-way)	47
	▶ Compact 1.m (2..7-way)	54
	▶ Compact 1.1m (4..7-way)	62
	▶ Compact 2+2.1 (2..5-way)	69
	▶ Compact 3 (2..6-way)	75
	▶ Compact coupler plugs	83
	▶ Coupler plugs	85
	▶ 7-way plug-in connection (LWS)	90
	▶ 6-way wiring-harness connectors	92
	▶ Sheathed-element glow-plug connectors	94

Low-way plug-in connections

Jetronic plugs

General information

Illustration



Features

- ▶ Sealed plug-in connection
- ▶ No. of contacts 2...7
- ▶ Individual wire seal

Technical description

The 2..7-way Jetronic wiring-harness connectors are durable plug-in connections for engine-compartment applications. The plug-in connection is suitable for soft engine attachment.

Injectors were one of the first plug-in connection applications. This is a general-purpose plug-in connection. It has an interfacial seal and individual wire seals are used for the wiring.

Technical features

- ▶ Vibration resistance: 10 g
- ▶ Temperature range: -40...130° C
- ▶ Tightness: IP X6K, X7, X9K, 6KX (dust)
- ▶ Connection cross-sections: 0.2...2.5 mm² (JPT)
- ▶ Suitable contacts: JPT with individual wire seal
- ▶ Blade: JPT 2.8 mm

All the currently applicable quotation drawings and technical customer documentation for the Jetronic plug product category can be found in the internet under www.bosch-connectors.com.

3-way assembled socket housing

Illustration



Product information

Product code	VNP-JETR-2/3P
Designation	Jetronic plug
Part number	1 284 485 064
Quotation drawing (component)	D 280 202 461


Technical data

No. of poles	3
Color (FA)	Black
Encoding	1
Secondary lock	None
Type of contact	JT/JPT
Type of seal (plug)	Interfacial seal
Type of seal (cable)	Rubber grommet
Vibration resistance	10 g
Dimensions (L x W x H)	28.00 x 18.00 x 28.00 mm
Temperature range, min./max.	-40 / 130 °C
Row spacing	1.00 mm
Degree of protection	IPX4
Comments	Not to be used for new development


Low-way plug-in connections

Jetronic plugs


3-way assembled socket housing

Illustration		Technical data	
		No. of poles	3
		Color (FA)	Gray
		Encoding	1
		Secondary lock	None
		Type of contact	JT/JPT
		Type of seal (plug)	Interfacial seal
		Type of seal (cable)	Rubber grommet
		Vibration resistance	10 g
		Dimensions (L x W x H)	28.00 x 18.00 x 28.00 mm
		Temperature range, min./max.	-40 / 130 °C
		Row spacing	1.00 mm
		Applications	Engine attachment
		Degree of protection	IPX4
		Comments	Not to be used for new development
Product information			
Product code	VNP-JETR-2/3P		
Designation	Jetronic plug		
Part number	1 284 485 098		
Quotation drawing (component)	D 280 202 461		

7-way assembled socket housing

Illustration		Technical data	
		No. of poles	7
		Color (FA)	Black
		Encoding	1
		Secondary lock	None
		Type of contact	JPT
		Type of seal (plug)	By interfacial seal
		Type of seal (cable)	Rubber grommet
		Vibration resistance	10 g
		Dimensions (L x W x H)	48.00 x 18.00 x 28.00 mm
		Temperature range, min./max.	-40 / 130 °C
		Contact spacing	5 mm
		Row spacing	1.00 mm
		Applications	Engine attachment
		Degree of protection	IPX4
		Comments	180° change in contact fitting position possible
Product information			
Product code	VNP-JETR-4//7P		
Designation	Jetronic plug		
Part number	1 284 485 108		
Quotation drawing (component)	D 281 010 081A		

2-way assembled socket housing

Illustration		Technical data	
		No. of poles	2
		Color (FA)	Black
		Encoding	1
		Secondary lock	None
		Type of contact	JPT
		Type of seal (plug)	By interfacial seal
		Type of seal (cable)	Protective cap
		Vibration resistance	15 g
		Dimensions (L x W x H)	28.00 x 23.00 x 27.00 mm
		Temperature range, min./max.	-40 / 130 °C
		Row spacing	1.00 mm
		Applications	Engine attachment
		Degree of protection	IP 54 A
		Comments	No longer to be used for new applications. Refer to replacement type in A 928 000 102 (manual release: 180° change in contact fitting position possible)
		Other features (SO)	Ver. 2
Product information			
Product code	VNP-JETR-2/3P		
Designation	Jetronic plug		
Part number	1 284 485 110		
Quotation drawing (component)	D 281 010 081		

Low-way plug-in connections

Jetronic plugs

6-way assembled socket housing

Illustration



Product information

Product code	VNP-JETR-4//7P
Designation	Jetronic plug
Part number	1 284 485 114
Quotation drawing (component)	D 281 010 081

Technical data

No. of poles	6
Color (FA)	Black
Encoding	1
Secondary lock	None
Type of contact	JPT
Type of seal (plug)	By interfacial seal
Type of seal (cable)	Rubber grommet
Vibration resistance	10 g
Dimensions (L x W x H)	43.00 x 18.00 x 28.00 mm
Temperature range, min./max.	-40 / 130 °C
Row spacing	1.00 mm
Applications	Engine attachment
Degree of protection	IPX4
Comments	180° change in contact fitting position possible
Other features (SO)	Manual release

4-way assembled socket housing

Illustration



Product information

Product code	VNP-JETR-4//7P
Designation	Jetronic plug
Part number	1 284 485 118
Quotation drawing (component)	D 281 010 081

Technical data

No. of poles	4
Color (FA)	Black
Encoding	1
Secondary lock	None
Type of contact	JPT
Type of seal (plug)	By interfacial seal
Type of seal (cable)	Rubber grommet
Vibration resistance	10 g
Dimensions (L x W x H)	43.00 x 24.50 x 28.00 mm
Temperature range, min./max.	-40 / 130 °C
Row spacing	1.00 mm
Applications	Engine attachment
Degree of protection	IPX4
Comments	180° change in contact fitting position possible
Other features (SO)	Manual release

3-way assembled socket housing

Illustration



Product information

Product code	VNP-JETR-2//3P
Designation	Jetronic plug
Part number	1 284 485 120
Quotation drawing (component)	D 281 010 081


Technical data

No. of poles	3
Color (FA)	White
Encoding	1
Secondary lock	None
Type of contact	JPT
Type of seal (plug)	By interfacial seal
Type of seal (cable)	Rubber grommet
Vibration resistance	10 g
Dimensions (L x W x H)	31.00 x 23.30 x 28.00 mm
Temperature range, min./max.	-40 / 130 °C
Row spacing	1.00 mm
Applications	Engine attachment
Degree of protection	IPX4
Comments	180° change in contact fitting position possible
Other features (SO)	Manual release


Low-way plug-in connections

Jetronic plugs


2-way assembled socket housing

Illustration		Technical data	
		No. of poles	2
		Color (FA)	Yellow
		Encoding	1
		Secondary lock	None
		Type of contact	JPT
		Type of seal (plug)	By interfacial seal
		Type of seal (cable)	Rubber grommet
		Vibration resistance	10 g
		Dimensions (L x W x H)	28.00 x 23.00 x 17.00 mm
		Temperature range, min./max.	-40 / 130 °C
		Row spacing	1.00 mm
		Degree of protection	IPX5
		Comments	Manual release; 180° change in contact fitting position possible
		Other features (SO)	Ver. 1
Product information			
Product code	VNP-JETR-2/3P		
Designation	Jetronic plug		
Part number	1 284 485 126		
Quotation drawing (component)	D 281 010 081		

2-way assembled socket housing

Illustration		Technical data	
		No. of poles	2
		Color (FA)	Black
		Encoding	1
		Secondary lock	None
		Type of contact	JT
		Type of seal (plug)	By interfacial seal
		Type of seal (cable)	Rubber grommet
		Vibration resistance	10 g
		Dimensions (L x W x H)	28.00 x 23.00 x 17.00 mm
		Temperature range, min./max.	-40 / 130 °C
		Row spacing	1.00 mm
		Applications	Bodywork attachment
		Degree of protection	IPX4k
		Comments	Manual release; contact fitting position cannot be changed; ultrasonic caulking possible
		Other features (SO)	Ver. 2
Product information			
Product code	VNP-JETR-2/3P		
Designation	Jetronic plug		
Part number	1 284 485 134		
Quotation drawing (component)	D 280 208 781A		


3-way assembled socket housing

Illustration		Technical data	
		No. of poles	3
		Color (FA)	Black
		Encoding	1
		Secondary lock	None
		Type of contact	JPT
		Type of seal (plug)	By interfacial seal
		Type of seal (cable)	Rubber grommet
		Vibration resistance	10 g
		Dimensions (L x W x H)	31.00 x 23.30 x 28.00 mm
		Temperature range, min./max.	-40 / 130 °C
		Row spacing	1.00 mm
		Applications	Engine attachment
		Degree of protection	IPX4
		Comments	Contact fitting position cannot be changed; ultrasonic caulking possible
		Other features (SO)	Manual release
Product information			
Product code	VNP-JETR-2/3P		
Designation	Jetronic plug		
Part number	1 284 485 136		
Quotation drawing (component)	D 280 208 781		

Low-way plug-in connections


Jetronic plugs

5-way assembled socket housing

Illustration	
	
Product information	
Product code	VNP-JETR-4//7P
Designation	Jetronic plug
Part number	1 284 485 138
Quotation drawing (component)	D 280 208 781


Technical data	
No. of poles	5
Color (FA)	Black
Encoding	1
Secondary lock	None
Type of contact	JPT
Type of seal (plug)	By interfacial seal
Type of seal (cable)	Rubber grommet
Vibration resistance	10 g
Dimensions (L x W x H)	38.00 x 18.00 x 28.00 mm
Temperature range, min./max.	-40 / 130 °C
Row spacing	1.00 mm
Applications	Engine attachment
Comments	Contact fitting position cannot be changed; ultrasonic caulking possible
Other features (SO)	Manual release

2-way assembled socket housing

Illustration	
	
Product information	
Product code	VNP-JETR-2//3P
Designation	Jetronic plug
Part number	1 284 485 141
Quotation drawing (component)	D 281 010 081

Technical data	
No. of poles	2
Color (FA)	White
Encoding	1
Secondary lock	None
Type of contact	JPT
Type of seal (plug)	By interfacial seal
Type of seal (cable)	Rubber grommet
Vibration resistance	10 g
Dimensions (L x W x H)	28.00 x 23.00 x 17.00 mm
Temperature range, min./max.	-40 / 130 °C
Row spacing	1.00 mm
Applications	Engine attachment
Degree of protection	IPX5
Comments	Manual release; 180° change in contact fitting position possible
Other features (SO)	Ver. 1

2-way assembled socket housing

Illustration	
	
Product information	
Product code	VNP-JETR-2//3P
Designation	Jetronic plug
Part number	1 284 485 147
Quotation drawing (component)	D 281 010 081

Technical data	
No. of poles	2
Color (FA)	blue
Encoding	1
Secondary lock	None
Type of contact	JPT
Type of seal (plug)	By interfacial seal
Type of seal (cable)	Rubber grommet
Vibration resistance	10 g
Dimensions (L x W x H)	28.00 x 23.00 x 17.00 mm
Temperature range, min./max.	-40 / 130 °C
Row spacing	1.00 mm
Applications	Engine attachment
Degree of protection	IPX5
Comments	Manual release; 180° change in contact fitting position possible
Other features (SO)	Ver. 1

Low-way plug-in connections

Jetronic plugs

5-way assembled socket housing

Illustration



Product information

Product code	VNP-JETR-4//7P
Designation	Jetronic plug
Part number	1 284 485 232
Quotation drawing (component)	D 281 010 081

Technical data

No. of poles	5
Color (FA)	Black
Encoding	1
Secondary lock	None
Type of contact	JPT
Type of seal (plug)	By interfacial seal
Type of seal (cable)	Rubber grommet
Vibration resistance	10 g
Dimensions (L x W x H)	38.00 x 18.00 x 28.00 mm
Temperature range, min./max.	-40 / 130 °C
Row spacing	1.00 mm
Applications	Engine attachment
Degree of protection	IPX4
Comments	180° change in contact fitting position possible
Other features (SO)	Manual release

2-way connector housing

Illustration



Product information

Product code	VNP-JETR-2/3P
Designation	Jetronic plug
Part number	1 928 401 920
Quotation drawing (component)	A 928 000 162

Technical data

No. of poles	2
Color (FA)	Black
Type of seal (plug)	Interfacial seal
Type of seal (cable)	Rubber grommet
Vibration resistance	10 g
Temperature range, min./max.	-40 / 130 °C
Applications	Engine attachment

2-way connector housing

Illustration



Product information

Product code	VNP-JETR-2/3P
Designation	Jetronic plug
Part number	1 928 402 070
Quotation drawing (component)	A 928 000 256


Technical data

No. of poles	2
Color (FA)	Black
Encoding	1
Secondary lock	None
Type of contact	JPT
Type of seal (plug)	Interfacial seal
Type of seal (cable)	Interfacial seal
Type of locking (plug)	Rubber grommet
Vibration resistance	10 g
Dimensions (L x W x H)	19.20 x 18.50 x 29.50 mm
Temperature range, min./max.	-40 / 130 °C
Row spacing	1.00 mm
Applications	Engine attachment
Degree of protection	IPX 4,6,9 K
Other features (SO)	Cannot be manually released

Low-way plug-in connections


Jetronic plugs

2-way connector housing

Illustration	
	
Product information	
Product code	VNP-JETR-2/3P
Designation	Jetronic plug
Part number	1 928 402 078
Quotation drawing (component)	A 928 000 256


Technical data	
No. of poles	2
Color (FA)	Black
Encoding	1
Secondary lock	None
Type of contact	JPT
Type of seal (plug)	Interfacial seal
Type of seal (cable)	Rubber grommet
Vibration resistance	10 g
Dimensions (L x W x H)	24.00 x 18.50 x 29.50 mm
Temperature range, min./max.	-40 / 130 °C
Row spacing	1.00 mm
Applications	Engine attachment
Degree of protection	IPX4,6,9K
Other features (SO)	Can be manually released

3-way connector housing

Illustration	
	
Product information	
Product code	VNP-JETR-2/3P
Designation	Jetronic plug
Part number	1 928 402 086
Quotation drawing (component)	A 928 402 086

Technical data	
No. of poles	3
Color (FA)	Black
Encoding	1
Secondary lock	None
Type of contact	JPT
Type of seal (plug)	Interfacial seal
Type of seal (cable)	Rubber grommet
Vibration resistance	10 g
Dimensions (L x W x H)	29.00 x 18.50 x 29.50 mm
Temperature range, min./max.	-40 / 130 °C
Row spacing	1.00 mm
Applications	Engine attachment
Degree of protection	IPX4,6,9K
Other features (SO)	Can be manually released

3-way connector housing


Illustration	
	
Product information	
Product code	VNP-JETR-2/3P
Designation	Jetronic plug
Part number	1 928 402 088
Quotation drawing (component)	A 928 000 256

Technical data	
No. of poles	3
Color (FA)	Black
Encoding	2
Secondary lock	None
Type of contact	JPT
Type of seal (plug)	Interfacial seal
Type of seal (cable)	Rubber grommet
Vibration resistance	10 g
Dimensions (L x W x H)	29.00 x 18.50 x 29.50 mm
Temperature range, min./max.	-40 / 130 °C
Row spacing	1.00 mm
Applications	Engine attachment
Degree of protection	IPX4,6,9K
Other features (SO)	Can be manually released


Low-way plug-in connections

Jetronic plugs


2-way socket housing

Illustration		Technical data	
		No. of poles	2
		Color (FA)	Black
		Encoding	1
		Secondary lock	None
		Type of contact	JPT
		Type of seal (plug)	Interfacial seal
		Type of seal (cable)	Individual wire seal
		Vibration resistance	10 g
		Dimensions (L x W x H)	24.00 x 25.40 x 34.00 mm
		Temperature range, min./max.	-40 / 130 °C
		Row spacing	1.00 mm
		Applications	Engine attachment
		Degree of protection	IP X 4,6,9K
		Other features (SO)	Adapter for securing clip
Product information			
Product code	VNP-JETR-2/3P		
Designation	Jetronic plug		
Part number	1 928 402 404		
Quotation drawing (component)	A 928 000 019		

2-way socket housing

Illustration		Technical data	
		No. of poles	2
		Color (FA)	Black
		Encoding	2
		Secondary lock	None
		Type of contact	JPT
		Type of seal (plug)	Interfacial seal
		Type of seal (cable)	Individual wire seal
		Vibration resistance	10 g
		Dimensions (L x W x H)	24.00 x 25.40 x 34.00 mm
		Temperature range, min./max.	-40 / 130 °C
		Row spacing	1.00 mm
		Applications	Engine attachment
		Degree of protection	IP X 4,6,9K
		Other features (SO)	Adapter for securing clip
Product information			
Product code	VNP-JETR-2/3P		
Designation	Jetronic plug		
Part number	1 928 402 405		
Quotation drawing (component)	A 928 000 019		

2-way socket housing

Illustration		Technical data	
		No. of poles	2
		Color (FA)	Black
		Encoding	3
		Secondary lock	None
		Type of contact	JPT
		Type of seal (plug)	Interfacial seal
		Type of seal (cable)	Individual wire seal
		Vibration resistance	10 g
		Dimensions (L x W x H)	24.00 x 25.40 x 34.00 mm
		Temperature range, min./max.	-40 / 130 °C
		Row spacing	1.00 mm
		Applications	Engine attachment
		Degree of protection	IP X 4,6,9K
		Other features (SO)	Adapter for securing clip
Product information			
Product code	VNP-JETR-2/3P		
Designation	Jetronic plug		
Part number	1 928 402 406		
Quotation drawing (component)	A 928 000 019		

Low-way plug-in connections

Jetronic plugs

2-way socket housing

Illustration



Product information

Product code	VNP-JETR-2/3P
Designation	Jetronic plug
Part number	1 928 402 407
Quotation drawing (component)	A 928 000 019

Technical data

No. of poles	2
Color (FA)	Black
Encoding	4
Secondary lock	None
Type of contact	JPT
Type of seal (plug)	Interfacial seal
Type of seal (cable)	Individual wire seal
Vibration resistance	10 g
Dimensions (L x W x H)	24.00 x 25.40 x 34.00 mm
Temperature range, min./max.	-40 / 130 °C
Row spacing	1.00 mm
Applications	Engine attachment
Degree of protection	IP X 4,6,9K
Other features (SO)	Adapter for securing clip

3-way socket housing

Illustration



Product information

Product code	VNP-JETR
Designation	Jetronic plug
Part number	1 928 402 412
Quotation drawing (component)	A 928 000 019

Technical data

No. of poles	3
Encoding	1
Secondary lock	None
Type of contact	JPT
Type of seal (plug)	Interfacial seal
Type of seal (cable)	Individual wire seal
Vibration resistance	10 g
Dimensions (L x W x H)	29.00 x 25.40 x 34.00 mm
Temperature range, min./max.	-40 / 130 °C
Row spacing	1.00 mm
Applications	Engine attachment
Degree of protection	IP X 4,6,9 K
Other features (SO)	Adapter for securing clip

3-way socket housing

Illustration



Product information

Product code	VNP-JETR
Designation	Jetronic plug
Part number	1 928 402 413
Quotation drawing (component)	A 928 000 019


Technical data

No. of poles	3
Color (FA)	Black
Encoding	2
Secondary lock	None
Type of contact	JPT
Type of seal (plug)	Interfacial seal
Type of seal (cable)	Individual wire seal
Vibration resistance	10 g
Dimensions (L x W x H)	29.00 x 25.40 x 34.00 mm
Temperature range, min./max.	-40 / 130 °C
Row spacing	1.00 mm
Applications	Engine attachment
Degree of protection	IP X 4,6,9K
Other features (SO)	Adapter for securing clip

Low-way plug-in connections


Jetronic plugs

3-way socket housing

Illustration	
	
Product information	
Product code	VNP-JETR
Designation	Jetronic plug
Part number	1 928 402 414
Quotation drawing (component)	A 928 000 019

Technical data	
No. of poles	3
Color (FA)	Black
Encoding	3
Secondary lock	None
Type of contact	JPT
Type of seal (plug)	Interfacial seal
Type of seal (cable)	Individual wire seal
Vibration resistance	10 g
Dimensions (L x W x H)	29.00 x 25.40 x 34.00 mm
Temperature range, min./max.	-40 / 130 °C
Row spacing	1.00 mm
Applications	Engine attachment
Degree of protection	IP X 4,6,9K
Other features (SO)	Adapter for securing clip

2-way socket housing

Illustration	
	
Product information	
Product code	VNP-JETR-2/3P
Designation	Jetronic plug
Part number	1 928 402 571
Quotation drawing (component)	A 928 000 102

Technical data	
No. of poles	2
Color (FA)	Black
Encoding	1
Secondary lock	None
Type of contact	JPT
Type of seal (plug)	Interfacial seal
Type of seal (cable)	Individual wire seal
Vibration resistance	10 g
Dimensions (L x W x H)	24.00 x 25.40 x 34.00 mm
Temperature range, min./max.	-40 / 130 °C
Row spacing	1.00 mm
Applications	Engine attachment
Degree of protection	IP X 4,6,9K
Other features (SO)	Individual wire seal, manual release

3-way socket housing


Illustration	
	
Product information	
Product code	VNP-JETR-2/3P
Designation	Jetronic plug
Part number	1 928 402 579
Quotation drawing (component)	A 928 000 102

Technical data	
No. of poles	3
Color (FA)	Black
Encoding	1
Secondary lock	None
Type of contact	JPT
Type of seal (plug)	Interfacial seal
Type of seal (cable)	Individual wire seal
Vibration resistance	10 g
Dimensions (L x W x H)	29.00 x 23.00 x 34.00 mm
Temperature range, min./max.	-40 / 130 °C
Row spacing	1.00 mm
Applications	Engine attachment
Degree of protection	IP X 4,6,9K
Other features (SO)	Individual wire seal, manual release

Low-way plug-in connections


Jetronic plugs

4-way socket housing

Illustration	
	
Product information	
Product code	VNP-JETR-4//7P
Designation	Jetronic plug
Part number	1 928 402 587
Quotation drawing (component)	A 928 000 102


Technical data	
No. of poles	4
Color (FA)	Black
Encoding	1
Secondary lock	None
Type of contact	JPT
Type of seal (plug)	Interfacial seal
Type of seal (cable)	Individual wire seal
Vibration resistance	10 g
Dimensions (L x W x H)	34.60 x 23.00 x 34.00 mm
Temperature range, min./max.	-40 / 130 °C
Row spacing	1.00 mm
Applications	Engine attachment
Degree of protection	IP X 4,6,9K
Other features (SO)	Individual wire seal, can be manually released

5-way socket housing

Illustration	
	
Product information	
Product code	VNP-JETR-4//7P
Designation	Jetronic plug
Part number	1 928 402 595
Quotation drawing (component)	A 928 000 102

Technical data	
No. of poles	5
Color (FA)	Black
Encoding	1
Secondary lock	None
Type of contact	JPT
Type of seal (plug)	Interfacial seal
Type of seal (cable)	Individual wire seal
Vibration resistance	10 g
Dimensions (L x W x H)	39.60 x 23.00 x 34.00 mm
Temperature range, min./max.	-40 / 130 °C
Row spacing	1.00 mm
Applications	Engine attachment
Degree of protection	IP X 4,6,9K
Other features (SO)	Individual wire seal, manual release

6-way socket housing


Illustration	
	
Product information	
Product code	VNP-JETR-4//7P
Designation	Jetronic plug
Part number	1 928 402 603
Quotation drawing (component)	A 928 000 102

Technical data	
No. of poles	6
Color (FA)	Black
Encoding	1
Secondary lock	None
Type of contact	JPT
Type of seal (plug)	Interfacial seal
Type of seal (cable)	Individual wire seal
Vibration resistance	10 g
Dimensions (L x W x H)	44.00 x 25.40 x 34.00 mm
Temperature range, min./max.	-40 / 130 °C
Row spacing	1.00 mm
Applications	Engine attachment
Degree of protection	IP X 4,6,9K
Other features (SO)	Individual wire seal, can be manually released


Low-way plug-in connections

Jetronic plugs


3-way socket housing

Illustration		Technical data	
		Color (FA)	Gray
		Encoding	1
		Secondary lock	None
		Type of contact	JPT
		Type of seal (plug)	Interfacial seal
		Type of seal (cable)	Individual wire seal
		Vibration resistance	10 g
		Dimensions (L x W x H)	29.00 x 25.40 x 34.00 mm
		Temperature range, min./max.	-40 / 130 °C
		Row spacing	1.00 mm
		Degree of protection	IP X 4,6,9 K
Product information			
Product code	VNP-JETR-2/3P		
Designation	Jetronic plug		
Part number	1 928 402 638		
Quotation drawing (component)	A 928 000 102		

3-way socket housing

Illustration		Technical data	
		No. of poles	3
		Color (FA)	blue
		Encoding	1
		Secondary lock	None
		Type of contact	JPT
		Type of seal (plug)	Interfacial seal
		Type of seal (cable)	Individual wire seal
		Vibration resistance	10 g
		Dimensions (L x W x H)	29.00 x 25.40 x 34.00 mm
		Temperature range, min./max.	-40 / 130 °C
		Row spacing	1.00 mm
		Applications	Engine attachment
		Degree of protection	IP X 4,6,9K
		Other features (SO)	Individual wire seal, manual release
Product information			
Product code	VNP-JETR-4/7P		
Designation	Jetronic plug		
Part number	1 928 402 639		
Quotation drawing (component)	A 928 000 102		


2-way connector housing

Illustration		Technical data	
		No. of poles	2
		Color (FA)	Brown
		Encoding	2
		Secondary lock	None
		Type of contact	JPT
		Type of seal (plug)	Interfacial seal
		Type of seal (cable)	Rubber grommet
		Vibration resistance	10 g
		Dimensions (L x W x H)	24.00 x 18.50 x 29.50 mm
		Temperature range, min./max.	-40 / 130 °C
		Row spacing	2.00 mm
		Applications	Engine attachment
		Degree of protection	IPX4,6,9K
		Other features (SO)	Can be manually released
Product information			
Product code	VNP-JETR-2/3P		
Designation	Jetronic plug		
Part number	1 928 402 648		
Quotation drawing (component)	A 928 000 256		

Low-way plug-in connections


Jetronic plugs

2-way connector housing

Illustration	
	
Product information	
Product code	VNP-JETR-2/3P
Designation	Jetronic plug
Part number	1 928 402 652
Quotation drawing (component)	A 928 000 256


Technical data	
No. of poles	2
Color (FA)	blue
Encoding	1
Secondary lock	None
Type of contact	JPT
Type of seal (plug)	Interfacial seal
Type of seal (cable)	Rubber grommet
Vibration resistance	10 g
Dimensions (L x W x H)	24.00 x 18.50 x 29.50 mm
Temperature range, min./max.	-40 / 130 °C
Row spacing	1.00 mm
Applications	Engine attachment
Degree of protection	IPX4,6,9K
Other features (SO)	Can be manually released

2-way socket housing

Illustration	
	
Product information	
Product code	VNP-JETR-2/3P
Designation	Jetronic plug
Part number	1 928 402 908
Quotation drawing (component)	A 928 000 019

Technical data	
No. of poles	2
Color (FA)	Gray
Encoding	2
Secondary lock	None
Type of contact	JPT
Type of seal (plug)	Interfacial seal
Type of seal (cable)	Individual wire seal
Vibration resistance	10 g
Dimensions (L x W x H)	24.00 x 25.40 x 34.00 mm
Temperature range, min./max.	-40 / 130 °C
Row spacing	1.00 mm
Applications	Engine attachment
Degree of protection	IP X 4,6,9K
Other features (SO)	Adapter for securing clip

2-way socket housing

Illustration	
	
Product information	
Product code	VNP-JETR-2/3P
Designation	Jetronic plug
Part number	1 928 403 214
Quotation drawing (component)	A 928 000 256

Technical data	
No. of poles	2
Color (FA)	White
Type of seal (plug)	Interfacial seal
Type of seal (cable)	Rubber grommet
Vibration resistance	10 g
Temperature range, min./max.	-40 / 130 °C
Applications	Engine attachment

Low-way plug-in connections

Jetronic plugs

2-way socket housing

Illustration



Product information

Product code	VNP-JETR-2/3P
Designation	Jetronic plug
Part number	1 928 403 268
Quotation drawing (component)	A 928 000 102

Technical data

No. of poles	2
Color (FA)	Gray
Encoding	1
Type of contact	JPT-contacts
Type of seal (plug)	Interfacial seal
Type of seal (cable)	Individual wire seal
Vibration resistance	10 g
Dimensions (L x W x H)	24.00 x 24.60 x 34.00 mm
Temperature range, min./max.	-40 / 130 °C
Applications	Engine attachment
Degree of protection	ip6K6K,X7,X9K

2-way assembled socket housing

Illustration



Product information

Product code	VNP-JETR-2/3P
Designation	Jetronic plug
Part number	1 928 403 490
Quotation drawing (component)	A 928 000 019

Technical data

No. of poles	2
Color (FA)	Black
Encoding	1
Secondary lock	None
Type of contact	JPT
Type of seal (plug)	Interfacial seal
Type of seal (cable)	Individual wire seal
Vibration resistance	10 g
Dimensions (L x W x H)	24.00 x 23.00 x 34.00 mm
Temperature range, min./max.	-40 / 130 °C
Row spacing	1.00 mm
Applications	Engine attachment
Degree of protection	IPX4,6,9K
Other features (SO)	Adapter for securing clip

2-way assembled socket housing

Illustration



Product information

Product code	VNP-JETR-2/3P
Designation	Jetronic plug
Part number	1 928 404 420
Quotation drawing (component)	A 928 000 019

Technical data

No. of poles	2
Color (FA)	Gray
Encoding	2
Secondary lock	None
Type of contact	JPT
Type of seal (plug)	Interfacial seal
Type of seal (cable)	Individual wire seal
Vibration resistance	10 g
Dimensions (L x W x H)	23.00 x 24.00 x 34.00 mm
Temperature range, min./max.	-40 / 130 °C
Row spacing	1.00 mm
Applications	Engine attachment
Degree of protection	IP X 4,6,9 K
Other features (SO)	Adapter for securing clip

Low-way plug-in connections

Jetronic coupler plugs

General information

Illustration



Features

- ▶ Coupler for Jetronic plug
- ▶ Sealed design
- ▶ 4 encoding options
- ▶ 2.8 mm flat blade can be fitted
- ▶ Mount for vehicle attachment

Technical description

The coupler plug is used as a break connector.

The corresponding female plug is the Jetronic plug. The plug-in connection has an interfacial seal in the Jetronic plug. An individual wire sealing system is used for the wiring. The coupler plug is suitable for bodywork and engine attachment. It can be attached to the vehicle by means of a plastic or metal holder.

Technical features

- ▶ Vibration resistance: 10 g
- ▶ Temperature range: -40°C...+130° C
- ▶ Degree of sealing: IP X6K, X7, X9K, 6KX (dust)
- ▶ Connection cross-sections: 0.2...2.5 mm²
- ▶ Suitable contacts: Flat blade 2.8 mm
- ▶ Contact spacing: 5 mm

All currently applicable quotation drawings and technical customer documentation for the Jetronic coupler plug product category can be found in the internet under www.bosch-connectors.com.

2-way Jetronic coupler plug

Illustration



Product information

Product code	VNP-KUPP
Designation	Coupler plug
Part number	1 224 485 018
Quotation drawing (component)	C 928 003 16A

Technical data

No. of poles	2
Color (FA)	Black
Encoding	1
Secondary lock	None
Type of contact	2.8 tap
Type of seal (plug)	By axial seal at wiring-harness connector
Type of seal (cable)	Rubber grommet
Vibration resistance	10 g
Dimensions (L x W x H)	19.40 x 16.75 x 27.00 mm
Temperature range, min./max.	-40 / 130 °C
Row spacing	1.00 mm
Applications	Engine attachment

Low-way plug-in connections

Jetronic coupler plugs

2-way Jetronic coupler plug

Illustration



Product information

Product code	VNP-KUPP-2//7P
Designation	Coupler plug
Part number	1 224 485 024
Quotation drawing (component)	C 928 003 16A

Technical data

No. of poles	2
Color (FA)	blue
Encoding	1
Secondary lock	None
Type of contact	2.8 tap
Type of seal (plug)	By axial seal at wiring-harness connector
Type of seal (cable)	Rubber grommet
Type of locking (plug)	By plastic or metal holder
Vibration resistance	20 g
Dimensions (L x W x H)	19.40 x 16.75 x 27.00 mm
Temperature range, min./max.	-40 / 150 °C
Contact spacing	5 mm
Row spacing	1.00 mm
Applications	Bodywork attachment

3-way Jetronic coupler plug

Illustration



Product information

Product code	VNP-JETR-2//3P
Designation	Jetronic plug
Part number	1 254 487 003
Quotation drawing (component)	C 280 209 943

Technical data

No. of poles	3
Color (FA)	Black
Encoding	1
Secondary lock	None
Type of contact	FL 2.8
Type of seal (plug)	By axial seal at wiring-harness connector
Type of seal (cable)	Rubber grommet
Vibration resistance	20 g
Dimensions (L x W x H)	25.00 x 15.63 x 31.50 mm
Contact spacing	5 mm
Row spacing	1.00 mm
Applications	Engine attachment

2-way Jetronic coupler plug

Illustration



Product information

Product code	VNP-KUPP-2//7P
Designation	Coupler plug
Part number	1 928 402 448
Quotation drawing (component)	A 928 000 020


Technical data

No. of poles	2
Color (FA)	Black
Encoding	1
Secondary lock	None
Type of contact	2.8 tap
Type of seal (plug)	By axial seal at wiring-harness connector
Type of seal (cable)	Rubber grommet
Type of locking (plug)	Plastic or metal holder
Vibration resistance	20 g
Dimensions (L x W x H)	19.50 x 17.20 x 33.50 mm
Temperature range, min./max.	-40 / 150 °C
Contact spacing	5 mm
Row spacing	1.00 mm
Applications	Engine attachment
Degree of protection	IP X 4,6,9K

Low-way plug-in connections


Jetronic coupler plugs

2-way Jetronic coupler plug

Illustration	
	
Product information	
Product code	VNP-KUPP
Designation	Coupler plug
Part number	1 928 402 449
Quotation drawing (component)	A 928 000 020


Technical data	
No. of poles	2
Color (FA)	Black
Encoding	2
Secondary lock	None
Type of contact	2.8 tap
Type of seal (plug)	By axial seal at wiring-harness connector
Type of seal (cable)	Rubber grommet
Type of locking (plug)	Plastic or metal holder
Vibration resistance	20 g
Dimensions (L x W x H)	19.10 x 17.20 x 33.50 mm
Temperature range, min./max.	-40 / 150 °C
Contact spacing	5 mm
Row spacing	1.00 mm
Applications	Engine attachment
Degree of protection	IP X 4,6,9K

3-way Jetronic coupler plug

Illustration	
	
Product information	
Product code	VNP-KUPP-2//7P
Designation	Coupler plug
Part number	1 928 402 452
Quotation drawing (component)	A 928 000 020

Technical data	
No. of poles	3
Color (FA)	Black
Encoding	1
Secondary lock	None
Type of contact	2.8 tap
Type of seal (plug)	By axial seal at wiring-harness connector
Type of seal (cable)	Rubber grommet
Type of locking (plug)	Plastic or metal holder
Vibration resistance	20 g
Dimensions (L x W x H)	24.10 x 17.20 x 33.50 mm
Temperature range, min./max.	-40 / 150 °C
Contact spacing	5 mm
Row spacing	1.00 mm
Applications	Engine attachment
Degree of protection	IP X 4,6,9K

3-way Jetronic coupler plug


Illustration	
	
Product information	
Product code	VNP-KUPP-2//7P
Designation	Coupler plug
Part number	1 928 402 806
Quotation drawing (component)	A 928 000 020

Technical data	
No. of poles	3
Color (FA)	blue
Encoding	1
Secondary lock	None
Type of contact	2.8 tap
Type of seal (plug)	By axial seal at wiring-harness connector
Type of seal (cable)	Rubber grommet
Type of locking (plug)	Plastic or metal holder
Vibration resistance	20 g
Dimensions (L x W x H)	24.10 x 17.20 x 33.50 mm
Temperature range, min./max.	-40 / 150 °C
Contact spacing	5 mm
Row spacing	1.00 mm
Applications	Engine attachment
Degree of protection	IP X 4,6,9K


Low-way plug-in connections

Jetronic coupler plugs

2-way Jetronic coupler plug

Illustration		Technical data	
		No. of poles	2
		Color (FA)	Gray
		Encoding	2
		Secondary lock	None
		Type of contact	2.8 tap
		Type of seal (plug)	By axial seal at wiring-harness connector
		Type of seal (cable)	Rubber grommet
		Type of locking (plug)	Plastic or metal holder
		Vibration resistance	20 g
		Dimensions (L x W x H)	19.10 x 17.20 x 33.50 mm
		Temperature range, min./max.	-40 / 150 °C
		Contact spacing	5 mm
		Row spacing	1.00 mm
		Applications	Engine attachment
		Degree of protection	IP X 4,6,9K
Product information			
Product code	VNP-KUPP-2//7P		
Designation	Coupler plug		
Part number	1 928 402 906		
Quotation drawing (component)	A 928 000 020		

2-way Jetronic coupler plug

Illustration		Technical data	
		No. of poles	2
		Color (FA)	blue
		Encoding	1
		Secondary lock	None
		Type of contact	2.8 tap
		Type of seal (plug)	By axial seal at wiring-harness connector
		Type of seal (cable)	Rubber grommet
		Type of locking (plug)	By plastic or metal holder
		Vibration resistance	20 g
		Dimensions (L x W x H)	19.10 x 17.20 x 33.50 mm
		Temperature range, min./max.	-40 / 150 °C
		Contact spacing	5 mm
		Row spacing	1.00 mm
		Applications	Bodywork attachment
		Degree of protection	IP X 4,6,9K
Product information			
Product code	VNP-KUPP-2//7P		
Designation	Coupler plug		
Part number	1 928 403 228		
Quotation drawing (component)	A 928 000 020		

Low-way plug-in connections

Compact 1 (2..7-way)

General information

Illustration



Features

- ▶ Sealed plug-in connection
- ▶ No. of contacts 2...7
- ▶ Individual wire seal
- ▶ Less space required

Technical description

The compact connector Compact 1 is used to connect electronic assemblies such as sensors and actuators in motor vehicles. The plug-in connection has a radial seal and individual wire seals for the wiring. The plug-in connection is suitable for engine-compartment installation and engine-mounted components. The compact connector is connected (disconnected) directly and locked by a plastic lug.

Technical features

- ▶ Vibration resistance: 25...30 g (depending on number of poles)
- ▶ Temperature range: -40...150° C (contact with gold-plated surface)
- ▶ Degree of protection: IP X4K, IP X9K
- ▶ Connection cross-sections: 0.35...2.5 mm²
- ▶ Suitable contacts: JPT with individual wire seal
- ▶ Contact spacing/posts: 5 mm/2.8 mm

All currently applicable quotation drawings and technical customer documentation for the Compact 1 (2..7-way) product category can be found in the internet under www.bosch-connectors.com.

3-way compact connector

Illustration



Product information

Product code	VNP-KOMP1-2/3P
Designation	Compact connector 1
Part number	1 928 402 868
Quotation drawing (component)	D 928 000 90A


Technical data

No. of poles	3
Color (FA)	Black
Encoding	1
Secondary lock	None
Type of contact	JPT
Type of seal (plug)	Radial seal
Type of seal (cable)	Individual wire seal
Type of locking (plug)	With plastic lug
Vibration resistance	25 g
Dimensions (L x W x H)	23.20 x 19.00 x 30.40 mm
Temperature range, min./max.	-40 / 150 °C
Contact spacing	5 mm
Row spacing	1.00 mm
Applications	Engine attachment
Degree of protection	IPX 4K, 9K
Other features (SO)	No shield/no sleeve connection


Low-way plug-in connections

Compact 1 (2..7-way)


Compact connector 1; 3-way

Illustration		Technical data	
		No. of poles	3
		Color (FA)	Black
		Encoding	1
		Secondary lock	None
		Type of contact	JPT
		Type of seal (plug)	Radial seal
		Type of seal (cable)	Individual wire seal
		Type of locking (plug)	With plastic lug
		Vibration resistance	25 g
		Dimensions (L x W x H)	26.20 x 19.00 x 30.40 mm
		Temperature range, min./max.	-40 / 150 °C
		Contact spacing	5 mm
		Row spacing	1.00 mm
		Applications	Engine attachment
		Degree of protection	IPX 4K,9K
		Other features (SO)	No shield
Product information			
Product code	VNP-KOMP1-2/3P		
Designation	Compact connector 1		
Part number	1 928 403 110		
Quotation drawing (component)	A 928 000 452		

Compact connector 1; 4-way

Illustration		Technical data	
		No. of poles	4
		Color (FA)	Black
		Encoding	1
		Secondary lock	None
		Type of contact	JPT
		Type of seal (plug)	Radial seal
		Type of seal (cable)	Individual wire seal
		Type of locking (plug)	Using a plastic lug
		Vibration resistance	25 g
		Dimensions (L x W x H)	30.00 x 21.00 x 30.40 mm
		Temperature range, min./max.	-40 / 150 °C
		Contact spacing	5 mm
		Row spacing	1.00 mm
		Applications	Engine attachment
		Degree of protection	IPX 4K,9K
		Other features (SO)	No shield
Product information			
Product code	VNP-KOMP1-4/7P		
Designation	Compact connector 1		
Part number	1 928 403 112		
Quotation drawing (component)	A 928 000 452		

Compact connector 1; 2-way

Illustration		Technical data	
		No. of poles	2
		Color (FA)	Black
		Encoding	1
		Secondary lock	None
		Type of contact	JPT
		Type of seal (plug)	Radial seal
		Type of seal (cable)	Individual wire seal
		Type of locking (plug)	With plastic lug
		Vibration resistance	25 g
		Dimensions (L x W x H)	21.20 x 19.00 x 30.40 mm
		Temperature range, min./max.	-40 / 150 °C
		Contact spacing	5 mm
		Row spacing	1.00 mm
		Applications	Engine attachment
		Degree of protection	IPX 4K,9K
		Other features (SO)	No shield
Product information			
Product code	VNP-KOMP1-2/3P		
Designation	Compact connector 1		
Part number	1 928 403 137		
Quotation drawing (component)	A 928 000 452		

Low-way plug-in connections

Compact 1 (2..7-way)

Compact connector 1; 5-way



Product information	
Product code	VNP-KOMP1-4//7P
Designation	Compact connector 1
Part number	1 928 403 146
Quotation drawing (component)	A 928 000 452

Technical data	
No. of poles	5
Color (FA)	Black
Encoding	1
Secondary lock	None
Type of contact	JPT
Type of seal (plug)	Radial seal
Type of seal (cable)	Individual wire seal
Type of locking (plug)	With plastic lug
Vibration resistance	25 g
Dimensions (L x W x H)	35.00 x 21.00 x 30.40 mm
Temperature range, min./max.	-40 / 150 °C
Contact spacing	5 mm
Row spacing	1.00 mm
Applications	Engine attachment
Degree of protection	IPX 4K, 9K
Other features (SO)	No shield

Compact connector 1; 6-way



Product information	
Product code	VNP-KOMP1-4//7P
Designation	Compact connector 1
Part number	1 928 403 202
Quotation drawing (component)	A 928 000 452

Technical data	
No. of poles	6
Color (FA)	Black
Encoding	1
Secondary lock	Locking plate
Type of contact	JPT
Type of seal (plug)	Radial seal
Type of seal (cable)	Individual wire seal
Type of locking (plug)	With plastic lug
Vibration resistance	25 g
Dimensions (L x W x H)	40.00 x 21.00 x 30.40 mm
Temperature range, min./max.	-40 / 150 °C
Contact spacing	5 mm
Row spacing	1.00 mm
Applications	Engine attachment
Degree of protection	IPX 4K,9K
Other features (SO)	No shield

Compact connector 1; 7-way




Product information	
Product code	VNP-KOMP1-4//7P
Designation	Compact connector
Part number	1 928 403 220
Quotation drawing (component)	A 928 000 452

Technical data	
No. of poles	7
Color (FA)	Black
Encoding	1
Secondary lock	None
Type of contact	JPT
Type of seal (plug)	Radial seal
Type of seal (cable)	Individual wire seal
Type of locking (plug)	With plastic lug
Vibration resistance	20 g
Dimensions (L x W x H)	45.00 x 21.00 x 30.40 mm
Temperature range, min./max.	-40 / 150 °C
Contact spacing	5 mm
Row spacing	2.80 mm
Degree of protection	IPX 4K,9K
Other features (SO)	No shield


Low-way plug-in connections

Compact 1 (2..7-way)


3-way compact connector

Illustration		Technical data	
		No. of poles	3
		Color (FA)	Gray
		Encoding	1
		Secondary lock	None
		Type of contact	JPT
		Type of seal (plug)	Radial seal
		Type of seal (cable)	Individual wire seal
		Type of locking (plug)	With plastic lug
		Vibration resistance	25 g
		Dimensions (L x W x H)	23.20 x 19.00 x 30.40 mm
		Temperature range, min./max.	-40 / 150 °C
		Contact spacing	5 mm
		Row spacing	1.00 mm
		Applications	Engine attachment
		Degree of protection	IPX 4K, 9K
		Other features (SO)	No shield/no sleeve connection
Product information			
Product code	VNP-KOMP1-2/3P		
Designation	Compact connector 1		
Part number	1 928 403 238		
Quotation drawing (component)	D 928 000 90A		

2-way end clip

Illustration		Technical data	
		No. of poles	2
		Color (FA)	Black
		Secondary lock	None
		Type of seal (plug)	Radial seal
		Type of seal (cable)	Individual wire seal
		Type of locking (plug)	With plastic lug
		Vibration resistance	25 g
		Dimensions (L x W x H)	11.50 x 7.10 x 17.40 mm
		Temperature range, min./max.	-40 / 150 °C
		Contact spacing	5 mm
		Row spacing	2.80 mm
		Applications	Bodywork attachment
		Degree of protection	IPX4K, IPX9K
Product information			
Product code	VNP-KOMP1-2/3P		
Designation	Compact connector 1		
Part number	1 928 403 422		
Quotation drawing (component)	1 928 A00 257		

3-way end clip

Illustration		Technical data	
		No. of poles	3
		Color (FA)	Black
		Secondary lock	None
		Type of seal (plug)	Radial seal
		Type of seal (cable)	Individual wire seal
		Type of locking (plug)	With plastic lug
		Vibration resistance	25 g
		Dimensions (L x W x H)	11.50 x 7.10 x 22.40 mm
		Temperature range, min./max.	-40 / 150 °C
		Contact spacing	5 mm
		Row spacing	2.80 mm
		Applications	Bodywork attachment
		Degree of protection	IPX4K, IPX9K
Product information			
Product code	VNP-KOMP1-2/3P		
Designation	Compact connector 1		
Part number	1 928 403 423		
Quotation drawing (component)	1 928 A00 257		

Low-way plug-in connections

Compact 1 (2..7-way)

4-way end clip

Illustration



Product information

Product code	VNP-KOMP1-4//7P
Designation	Compact connector 1
Part number	1 928 403 424
Quotation drawing (component)	1 928 A00 257

Technical data

No. of poles	4
Color (FA)	Black
Secondary lock	None
Type of seal (plug)	Radial seal
Type of seal (cable)	Individual wire seal
Type of locking (plug)	With plastic lug
Vibration resistance	25 g
Dimensions (L x W x H)	11.50 x 7.10 x 27.40 mm
Temperature range, min./max.	-40 / 150 °C
Contact spacing	5 mm
Row spacing	2.80 mm
Applications	Bodywork attachment
Degree of protection	IPX4K, IPX9K

5-way end clip

Illustration



Product information

Product code	VNP-KOMP2-4//7P
Designation	Compact connector 2
Part number	1 928 403 425
Quotation drawing (component)	1 928 A00 257

Technical data

No. of poles	5
Color (FA)	Black
Secondary lock	None
Type of seal (plug)	Radial seal
Type of seal (cable)	Individual wire seal
Type of locking (plug)	With slide
Vibration resistance	24 g
Dimensions (L x W x H)	11.50 x 7.10 x 32.40 mm
Temperature range, min./max.	-40 / 150 °C
Contact spacing	5 mm
Row spacing	2.80 mm
Applications	Bodywork attachment
Degree of protection	IPX4K, IPX9K

6-way end clip

Illustration



Product information

Product code	VNP-KOMP1-4//7P
Designation	Compact connector 1
Part number	1 928 403 426
Quotation drawing (component)	1 928 A00 257


Technical data

No. of poles	6
Color (FA)	Black
Secondary lock	None
Type of seal (plug)	Radial seal
Type of seal (cable)	Individual wire seal
Type of locking (plug)	With plastic lug
Vibration resistance	25 g
Dimensions (L x W x H)	11.50 x 7.10 x 37.40 mm
Temperature range, min./max.	-40 / 150 °C
Contact spacing	5 mm
Row spacing	2.80 mm
Applications	Bodywork attachment
Degree of protection	IPX4K, IPX9K


Low-way plug-in connections

Compact 1 (2..7-way)


7-way end clip

Illustration		Technical data	
		No. of poles	7
		Color (FA)	Black
		Secondary lock	None
		Type of seal (plug)	Radial seal
		Type of seal (cable)	Individual wire seal
		Type of locking (plug)	With plastic lug
		Vibration resistance	25 g
		Dimensions (L x W x H)	42.40 x 11.50 x 7.10 mm
		Temperature range, min./max.	-40 / 150 °C
		Contact spacing	5 mm
		Row spacing	2.80 mm
		Applications	Bodywork attachment
		Degree of protection	IPX4K, IPX9K
Product information			
Product code	VAFK		
Designation	General connection systems, external customers		
Part number	1 928 403 427		
Quotation drawing (component)	1 928 A00 257		

6-way end clip with grooved tubular connection

Illustration		Technical data	
		No. of poles	6
		Color (FA)	Black
		Secondary lock	None
		Type of seal (plug)	Radial seal
		Type of seal (cable)	Individual wire seal
		Type of locking (plug)	With plastic lug
		Vibration resistance	25 g
		Dimensions (L x W x H)	26.10 x 37.40 x 29.20 mm
		Temperature range, min./max.	-40 / 150 °C
		Contact spacing	5 mm
		Row spacing	2.80 mm
		Applications	Bodywork attachment
		Degree of protection	IPX4K, IPX9K
Product information			
Product code	VNP-KOMP1-4//7P		
Designation	Compact connector 1		
Part number	1 928 403 432		
Quotation drawing (component)	1 928 A00 257		

Compact connector 1; 2-way

Illustration		Technical data	
		No. of poles	2
		Color (FA)	Gray
		Encoding	2
		Secondary lock	None
		Type of contact	JPT
		Type of seal (plug)	Radial seal
		Type of seal (cable)	Individual wire seal
		Type of locking (plug)	With plastic lug
		Vibration resistance	30 g
		Dimensions (L x W x H)	21.20 x 19.00 x 30.40 mm
		Temperature range, min./max.	-40 / 150 °C
		Contact spacing	5 mm
		Row spacing	1.00 mm
		Applications	Bodywork attachment
		Degree of protection	IPX 4K,9K
		Other features (SO)	No shield
Product information			
Product code	VNP-KOMP1-2/3P		
Designation	Compact connector 1		
Part number	1 928 403 722		
Quotation drawing (component)	A 928 000 452		

Low-way plug-in connections

Compact 1 (2..7-way)

Compact connector 1; 5-way

Illustration



Product information

Product code	VNP-KOMP1-4//7P
Designation	Compact connector 1
Part number	1 928 403 813
Quotation drawing (component)	A 928 000 452

Technical data

No. of poles	5
Color (FA)	Black
Encoding	5
Secondary lock	None
Type of contact	JPT
Type of seal (plug)	Radial seal
Type of seal (cable)	Individual wire seal
Type of locking (plug)	With plastic lug
Vibration resistance	25 g
Dimensions (L x W x H)	35.00 x 21.00 x 30.40 mm
Temperature range, min./max.	-40 / 150 °C
Contact spacing	5 mm
Row spacing	1.00 mm
Applications	Bodywork attachment
Degree of protection	IPX 4K, 9K
Other features (SO)	No shield

Compact connector 1; 3-way

Illustration



Product information

Product code	VNP-KOMP1-2/3P
Designation	Compact connector 1
Part number	1 928 403 915
Quotation drawing (component)	A 928 000 452

Technical data

No. of poles	3
Color (FA)	Gray
Encoding	1
Secondary lock	None
Type of contact	JPT
Type of seal (plug)	Radial seal
Type of seal (cable)	Individual wire seal
Type of locking (plug)	With plastic lug
Vibration resistance	25 g
Dimensions (L x W x H)	26.20 x 19.00 x 30.40 mm
Temperature range, min./max.	-40 / 150 °C
Contact spacing	5 mm
Row spacing	1.00 mm
Applications	Bodywork attachment
Degree of protection	IPX 4K, 9K
Other features (SO)	No shield

Compact connector 1; 3-way

Illustration



Product information

Product code	VNP-KOMP1-2/3P
Designation	Compact connector 1
Part number	1 928 404 550
Quotation drawing (component)	A 928 000 452


Technical data

No. of poles	3
Color (FA)	Gray
Type of seal (plug)	Radial seal
Type of seal (cable)	Individual wire seal
Type of locking (plug)	With plastic lug
Vibration resistance	25 g
Temperature range, min./max.	-40 / 150 °C
Contact spacing	5 mm
Row spacing	2.80 mm
Applications	Bodywork attachment
Degree of protection	IPX4K, IPX9K


Low-way plug-in connections

Compact 1 (2..7-way)


2-way end clip

Illustration		Technical data	
		No. of poles	2
		Color (FA)	Neutral
Product information		Secondary lock	None
		Type of seal (plug)	Radial seal
		Type of seal (cable)	Individual wire seal
		Type of locking (plug)	With plastic lug
		Vibration resistance	25 g
		Dimensions (L x W x H)	11.50 x 7.10 x 17.40 mm
		Temperature range, min./max.	-40 / 150 °C
		Contact spacing	5 mm
		Row spacing	2.80 mm
		Applications	Bodywork attachment
Quotation drawing (component)	1 928 A00 257	Degree of protection	IPX4K, IPX9K

3-way end clip

Illustration		Technical data	
		No. of poles	3
		Color (FA)	Neutral
Product information		Secondary lock	None
		Type of seal (plug)	Radial seal
		Type of seal (cable)	Individual wire seal
		Type of locking (plug)	With plastic lug
		Vibration resistance	25 g
		Dimensions (L x W x H)	11.50 x 7.10 x 22.40 mm
		Temperature range, min./max.	-40 / 150 °C
		Contact spacing	5 mm
		Row spacing	2.80 mm
		Quotation drawing (component)	1 928 A00 257

4-way end clip

Illustration		Technical data	
		No. of poles	4
		Secondary lock	None
Product information		Type of seal (plug)	Radial seal
		Type of seal (cable)	Individual wire seal
		Type of locking (plug)	With plastic lug
		Vibration resistance	25 g
		Dimensions (L x W x H)	27.40 x 11.50 x 7.10 mm
		Temperature range, min./max.	-40 / 150 °C
		Contact spacing	5 mm
		Row spacing	2.80 mm
		Applications	Engine attachment
		Quotation drawing (component)	1 928 A00 257

Low-way plug-in connections

Compact 1 (2..7-way)

5-way end clip

Illustration



Product information

Product code	VAFK
Designation	General connection systems, external customers
Part number	1 928 404 889
Quotation drawing (component)	1 928 A00 257

Technical data

No. of poles	5
Color (FA)	Neutral
Secondary lock	None
Type of seal (plug)	Radial seal
Type of seal (cable)	Individual wire seal
Type of locking (plug)	With plastic lug
Vibration resistance	25 g
Dimensions (L x W x H)	32.40 x 11.50 x 7.10 mm
Temperature range, min./max.	-40 / 150 °C
Contact spacing	5 mm
Row spacing	2.80 mm
Applications	Engine attachment
Degree of protection	IPX4K, IPX9K

6-way end clip

Illustration



Product information

Product code	VAFK
Designation	General connection systems, external customers
Part number	1 928 404 890
Quotation drawing (component)	1 928 A00 257

Technical data

No. of poles	6
Color (FA)	Black
Secondary lock	None
Type of seal (plug)	Radial seal
Type of seal (cable)	Individual wire seal
Type of locking (plug)	With plastic lug
Vibration resistance	25 g
Dimensions (L x W x H)	37.40 x 11.50 x 7.10 mm
Temperature range, min./max.	-40 / 150 °C
Contact spacing	5 mm
Row spacing	2.80 mm
Applications	Engine attachment
Degree of protection	IPX4K, IPX9K

Low-way plug-in connections

Compact 1.1 (2..5-way)

General information

Illustration



Features

- ▶ BDK contact (advanced version of BSK contact)
- ▶ Sealed plug-in connection
- ▶ No. of contacts 2, 3, 5
- ▶ Individual wire seal
- ▶ Less space required

Technical description

The compact connector Compact 1.1 is used for the connection of such automotive electronic assemblies as sensors and actuators. The plug-in connection has a radial seal and individual wire seals for the wiring. The plug-in connection is suitable for engine-compartment installation and engine-mounted components. The compact connector is connected (disconnected) directly and locked by a plastic lug.

Technical features

- ▶ Vibration resistance: 20...30 g (depending on number of poles)
- ▶ Temperature range: -40...+150° C (contact with gold-plated surface)
- ▶ Degree of protection: IP X4K, X9K
- ▶ Connection cross-sections: 0.5...2.5 mm²
- ▶ Suitable contacts: BDK 2.8 (advanced version of BSK 2.8) with individual wire seal
- ▶ Contact spacing/posts: 5 mm/2.8 mm

All currently applicable quotation drawings and technical customer documentation for the Compact 1.1 (2..5-way) product category can be found in the internet under www.bosch-connectors.com.

2-way end clip

Illustration



Product information

Product code	VNP-KOMP1-2/3P
Designation	Compact connector 1
Part number	1 928 403 422
Quotation drawing (component)	1 928 A00 257


Technical data

No. of poles	2
Color (FA)	Black
Secondary lock	None
Type of seal (plug)	Radial seal
Type of seal (cable)	Individual wire seal
Type of locking (plug)	With plastic lug
Vibration resistance	25 g
Dimensions (L x W x H)	11.50 x 7.10 x 17.40 mm
Temperature range, min./max.	-40 / 150 °C
Contact spacing	5 mm
Row spacing	2.80 mm
Applications	Bodywork attachment
Degree of protection	IPX4K, IPX9K

Low-way plug-in connections


Compact 1.1 (2..5-way)

3-way end clip

Illustration	
	
Product information	
Product code	VNP-KOMP1-2/3P
Designation	Compact connector 1
Part number	1 928 403 423
Quotation drawing (component)	1 928 A00 257


Technical data	
No. of poles	3
Color (FA)	Black
Secondary lock	None
Type of seal (plug)	Radial seal
Type of seal (cable)	Individual wire seal
Type of locking (plug)	With plastic lug
Vibration resistance	25 g
Dimensions (L x W x H)	11.50 x 7.10 x 22.40 mm
Temperature range, min./max.	-40 / 150 °C
Contact spacing	5 mm
Row spacing	2.80 mm
Applications	Bodywork attachment
Degree of protection	IPX4K, IPX9K

4-way end clip

Illustration	
	
Product information	
Product code	VNP-KOMP1-4/7P
Designation	Compact connector 1
Part number	1 928 403 424
Quotation drawing (component)	1 928 A00 257

Technical data	
No. of poles	4
Color (FA)	Black
Secondary lock	None
Type of seal (plug)	Radial seal
Type of seal (cable)	Individual wire seal
Type of locking (plug)	With plastic lug
Vibration resistance	25 g
Dimensions (L x W x H)	11.50 x 7.10 x 27.40 mm
Temperature range, min./max.	-40 / 150 °C
Contact spacing	5 mm
Row spacing	2.80 mm
Applications	Bodywork attachment
Degree of protection	IPX4K, IPX9K

5-way end clip


Illustration	
	
Product information	
Product code	VNP-KOMP2-4/7P
Designation	Compact connector 2
Part number	1 928 403 425
Quotation drawing (component)	1 928 A00 257

Technical data	
No. of poles	5
Color (FA)	Black
Secondary lock	None
Type of seal (plug)	Radial seal
Type of seal (cable)	Individual wire seal
Type of locking (plug)	With slide
Vibration resistance	24 g
Dimensions (L x W x H)	11.50 x 7.10 x 32.40 mm
Temperature range, min./max.	-40 / 150 °C
Contact spacing	5 mm
Row spacing	2.80 mm
Applications	Bodywork attachment
Degree of protection	IPX4K, IPX9K


Low-way plug-in connections

Compact 1.1 (2..5-way)


Compact connector 1.1; 2-way

Illustration		Technical data	
		No. of poles	2
		Color (FA)	Black
Product information		Encoding	1
		Secondary lock	None
Product code	VNP-KOMP1-2/3P	Type of contact	BDK 2.8
Designation	Compact connector 1.1	Type of seal (plug)	Radial seal
Part number	1 928 404 072	Type of seal (cable)	Individual wire seal
Quotation drawing (component)	A 928 000 453	Type of locking (plug)	With plastic lug
		Vibration resistance	20 g
		Dimensions (L x W x H)	26.20 x 20.80 x 30.40 mm
		Temperature range, min./max.	-40 / 150 °C
		Contact spacing	5 mm
		Row spacing	1.00 mm
		Applications	Engine attachment
		Degree of protection	IPX 4K, 9K
		Other features (SO)	No shield

Compact connector 1.1; 3-way

Illustration		Technical data	
		No. of poles	3
		Color (FA)	Black
Product information		Encoding	1
		Secondary lock	None
Product code	VNP-KOMP1-2/3P	Type of contact	BDK 2.8
Designation	Compact connector 1.1	Type of seal (plug)	Radial seal
Part number	1 928 404 073	Type of seal (cable)	Individual wire seal
Quotation drawing (component)	A 928 000 453	Type of locking (plug)	With plastic lug
		Vibration resistance	20 g
		Dimensions (L x W x H)	31.20 x 20.80 x 30.40 mm
		Temperature range, min./max.	-40 / 150 °C
		Contact spacing	5 mm
		Row spacing	1.00 mm
		Applications	Engine attachment
		Degree of protection	IPX 4K, 9K
		Other features (SO)	No shield

Compact connector 1.1; 3-way

Illustration		Technical data	
		No. of poles	3
		Color (FA)	Black
Product information		Encoding	2
		Secondary lock	None
Product code	VNP-KOMP1-2/3P	Type of contact	BDK 2.8
Designation	Compact connector 1.1	Type of seal (plug)	Radial seal
Part number	1 928 404 074	Type of seal (cable)	Individual wire seal
Quotation drawing (component)	A 928 000 453	Type of locking (plug)	With plastic lug
		Vibration resistance	20 g
		Dimensions (L x W x H)	31.20 x 20.80 x 30.40 mm
		Temperature range, min./max.	-40 / 150 °C
		Contact spacing	5 mm
		Row spacing	1.00 mm
		Applications	Engine attachment
		Degree of protection	IPX 4K, 9K
		Other features (SO)	No shield

Low-way plug-in connections

Compact 1.1 (2..5-way)

Compact connector 1.1; 5-way

Illustration



Product information

Product code	VNP-KOMP
Designation	Compact connector
Part number	1 928 404 075
Quotation drawing (component)	A 928 000 453

Technical data

No. of poles	5
Color (FA)	Black
Encoding	1
Secondary lock	None
Type of contact	BSK 2.8
Type of seal (plug)	Radial seal
Type of seal (cable)	Individual wire seal
Type of locking (plug)	With plastic lug
Dimensions (L x W x H)	41.00 x 22.80 x 30.40 mm
Temperature range, min./max.	-40 / 150 °C
Contact spacing	5 mm
Row spacing	2.80 mm
Applications	Bodywork attachment
Degree of protection	IPX 4K, 9K
Other features (SO)	No shield

Compact connector 1.1; 4-way

Illustration



Product information

Product code	VNP-KOMP1-4//7P
Designation	Compact connector 1.1
Part number	1 928 404 745
Quotation drawing (component)	A 928 000 453

Technical data

No. of poles	4
Color (FA)	Black
Type of contact	BSK 2.8
Type of seal (plug)	Radial seal
Type of seal (cable)	Individual wire seal
Type of locking (plug)	With plastic lug
Vibration resistance	20 g
Dimensions (L x W x H)	30.60 x 15.30 x 30.40 mm
Temperature range, min./max.	-40 / 150 °C
Contact spacing	5 mm
Row spacing	2.80 mm
Applications	Bodywork attachment
Degree of protection	IPX 4K, 9K

Compact connector 1.1; 4-way

Illustration



Product information

Product code	VNP-KOMP1-4//7P
Designation	Compact connector 1.1
Part number	1 928 404 825
Quotation drawing (component)	A 928 000 453


Technical data

No. of poles	4
Color (FA)	Black
Type of contact	BDK 2.8
Type of seal (plug)	Radial seal
Type of seal (cable)	Individual wire seal
Type of locking (plug)	With plastic lug
Vibration resistance	20 g
Temperature range, min./max.	-40 / 150 °C
Contact spacing	5 mm
Row spacing	2.80 mm
Applications	Engine attachment
Degree of protection	IPX4K, IPX9K
Other features (SO)	No shield


Low-way plug-in connections

Compact 1.1 (2..5-way)


2-way end clip

Illustration		Technical data	
		No. of poles	2
		Color (FA)	Neutral
Product information		Secondary lock	None
		Type of seal (plug)	Radial seal
		Type of seal (cable)	Individual wire seal
		Type of locking (plug)	With plastic lug
		Vibration resistance	25 g
		Dimensions (L x W x H)	11.50 x 7.10 x 17.40 mm
		Temperature range, min./max.	-40 / 150 °C
		Contact spacing	5 mm
		Row spacing	2.80 mm
		Applications	Bodywork attachment
Quotation drawing (component)	1 928 A00 257	Degree of protection	IPX4K, IPX9K

3-way end clip

Illustration		Technical data	
		No. of poles	3
		Color (FA)	Neutral
Product information		Secondary lock	None
		Type of seal (plug)	Radial seal
		Type of seal (cable)	Individual wire seal
		Type of locking (plug)	With plastic lug
		Vibration resistance	25 g
		Dimensions (L x W x H)	11.50 x 7.10 x 22.40 mm
		Temperature range, min./max.	-40 / 150 °C
		Contact spacing	5 mm
		Row spacing	2.80 mm
		Quotation drawing (component)	1 928 A00 257

4-way end clip

Illustration		Technical data	
		No. of poles	4
		Secondary lock	None
Product information		Type of seal (plug)	Radial seal
		Type of seal (cable)	Individual wire seal
		Type of locking (plug)	With plastic lug
		Vibration resistance	25 g
		Dimensions (L x W x H)	27.40 x 11.50 x 7.10 mm
		Temperature range, min./max.	-40 / 150 °C
		Contact spacing	5 mm
		Row spacing	2.80 mm
		Applications	Engine attachment
		Quotation drawing (component)	1 928 A00 257

Low-way plug-in connections

Compact 1.1 (2..5-way)

5-way end clip

Illustration



Product information

Product code	VAFK
Designation	General connection systems, external customers
Part number	1 928 404 889
Quotation drawing (component)	1 928 A00 257

Technical data

No. of poles	5
Color (FA)	Neutral
Secondary lock	None
Type of seal (plug)	Radial seal
Type of seal (cable)	Individual wire seal
Type of locking (plug)	With plastic lug
Vibration resistance	25 g
Dimensions (L x W x H)	32.40 x 11.50 x 7.10 mm
Temperature range, min./max.	-40 / 150 °C
Contact spacing	5 mm
Row spacing	2.80 mm
Applications	Engine attachment
Degree of protection	IPX4K, IPX9K

Low-way plug-in connections

Compact 1.a (2..6-way)

General information

Illustration



Technical description

The compact connector Compact 1.a is used for the connection of such electronic assemblies as sensors and actuators in motor vehicles. The plug-in connection is sealed by a radial seal and individual wire seals for the wiring. The plug-in connection is suitable for engine-compartment installation and engine-mounted components. This connector also features a molded shield in the area of the radial seal. The compact connector is connected (disconnected) directly and locked by plastic lug.

Features

- ▶ Molded shield
- ▶ Sealed plug-in connection
- ▶ No. of contacts 2...7
- ▶ Individual wire seal
- ▶ Less space required

Technical features

- ▶ Vibration resistance: 30 g (50h)
- ▶ Temperature range: -40...+150° C (contact with gold-plated surface)
- ▶ Degree of protection: IP X4K, IP X9K
- ▶ Connection cross-sections: 0.35...2.5 mm²
- ▶ Suitable contacts: JPT with individual wire seal
- ▶ Contact spacing/posts: 5 mm/2.8 mm

All currently applicable quotation drawings and technical customer documentation for the Compact 1.a (2..6-way) product category can be found in the internet under www.bosch-connectors.com.

2-way end clip

Illustration



Technical data

No. of poles	2
Color (FA)	Black
Secondary lock	None
Type of seal (plug)	Radial seal
Type of seal (cable)	Individual wire seal
Type of locking (plug)	With plastic lug
Vibration resistance	25 g
Dimensions (L x W x H)	11.50 x 7.10 x 17.40 mm
Temperature range, min./max.	-40 / 150 °C
Contact spacing	5 mm
Row spacing	2.80 mm
Applications	Bodywork attachment
Degree of protection	IPX4K, IPX9K

Product information

Product code	VNP-KOMP1-2/3P
Designation	Compact connector 1
Part number	1 928 403 422
Quotation drawing (component)	1 928 A00 257

Low-way plug-in connections

Compact 1.a (2..6-way)

3-way end clip

Illustration



Product information

Product code	VNP-KOMP1-2/3P
Designation	Compact connector 1
Part number	1 928 403 423
Quotation drawing (component)	1 928 A00 257

Technical data

No. of poles	3
Color (FA)	Black
Secondary lock	None
Type of seal (plug)	Radial seal
Type of seal (cable)	Individual wire seal
Type of locking (plug)	With plastic lug
Vibration resistance	25 g
Dimensions (L x W x H)	11.50 x 7.10 x 22.40 mm
Temperature range, min./max.	-40 / 150 °C
Contact spacing	5 mm
Row spacing	2.80 mm
Applications	Bodywork attachment
Degree of protection	IPX4K, IPX9K

4-way end clip

Illustration



Product information

Product code	VNP-KOMP1-4/7P
Designation	Compact connector 1
Part number	1 928 403 424
Quotation drawing (component)	1 928 A00 257

Technical data

No. of poles	4
Color (FA)	Black
Secondary lock	None
Type of seal (plug)	Radial seal
Type of seal (cable)	Individual wire seal
Type of locking (plug)	With plastic lug
Vibration resistance	25 g
Dimensions (L x W x H)	11.50 x 7.10 x 27.40 mm
Temperature range, min./max.	-40 / 150 °C
Contact spacing	5 mm
Row spacing	2.80 mm
Applications	Bodywork attachment
Degree of protection	IPX4K, IPX9K

5-way end clip

Illustration



Product information

Product code	VNP-KOMP2-4/7P
Designation	Compact connector 2
Part number	1 928 403 425
Quotation drawing (component)	1 928 A00 257


Technical data

No. of poles	5
Color (FA)	Black
Secondary lock	None
Type of seal (plug)	Radial seal
Type of seal (cable)	Individual wire seal
Type of locking (plug)	With slide
Vibration resistance	24 g
Dimensions (L x W x H)	11.50 x 7.10 x 32.40 mm
Temperature range, min./max.	-40 / 150 °C
Contact spacing	5 mm
Row spacing	2.80 mm
Applications	Bodywork attachment
Degree of protection	IPX4K, IPX9K


Low-way plug-in connections

Compact 1.a (2..6-way)


6-way end clip

Illustration		Technical data	
		No. of poles	6
		Color (FA)	Black
		Secondary lock	None
		Type of seal (plug)	Radial seal
		Type of seal (cable)	Individual wire seal
		Type of locking (plug)	With plastic lug
		Vibration resistance	25 g
		Dimensions (L x W x H)	11.50 x 7.10 x 37.40 mm
		Temperature range, min./max.	-40 / 150 °C
		Contact spacing	5 mm
		Row spacing	2.80 mm
		Applications	Bodywork attachment
		Degree of protection	IPX4K, IPX9K
Product information			
Product code	VNP-KOMP1-4//7P		
Designation	Compact connector 1		
Part number	1 928 403 426		
Quotation drawing (component)	1 928 A00 257		

6-way end clip with grooved tubular connection

Illustration		Technical data	
		No. of poles	6
		Color (FA)	Black
		Secondary lock	None
		Type of seal (plug)	Radial seal
		Type of seal (cable)	Individual wire seal
		Type of locking (plug)	With plastic lug
		Vibration resistance	25 g
		Dimensions (L x W x H)	26.10 x 37.40 x 29.20 mm
		Temperature range, min./max.	-40 / 150 °C
		Contact spacing	5 mm
		Row spacing	2.80 mm
		Applications	Bodywork attachment
		Degree of protection	IPX4K, IPX9K
Product information			
Product code	VNP-KOMP1-4//7P		
Designation	Compact connector 1		
Part number	1 928 403 432		
Quotation drawing (component)	1 928 A00 257		

Compact connector 1.a; 2-way

Illustration		Technical data	
		No. of poles	2
		Color (FA)	Black
		Encoding	1
		Secondary lock	None
		Type of contact	JPT
		Type of seal (plug)	Radial seal
		Type of seal (cable)	Individual wire seal
		Type of locking (plug)	With plastic lug
		Vibration resistance	30 g
		Dimensions (L x W x H)	26.20 x 20.00 x 30.40 mm
		Temperature range, min./max.	-40 / 150 °C
		Contact spacing	5 mm
		Row spacing	1.00 mm
		Applications	Engine attachment
		Degree of protection	IPX 4K,6K,9K
		Other features (SO)	Molded shield
Product information			
Product code	VNP-KOMP1-2/3P		
Designation	Compact connector 1.a		
Part number	1 928 403 698		
Quotation drawing (component)	A 928 000 452		

Low-way plug-in connections

Compact 1.a (2..6-way)

Compact connector 1.a; 3-way

Illustration



Product information

Product code	VNP-KOMP1-2/3P
Designation	Compact connector 1.a
Part number	1 928 403 870
Quotation drawing (component)	A 928 000 452

Technical data

No. of poles	3
Color (FA)	Black
Encoding	1
Secondary lock	None
Type of contact	JPT
Type of seal (plug)	Radial seal
Type of seal (cable)	Individual wire seal
Type of locking (plug)	With plastic lug
Vibration resistance	30 g
Dimensions (L x W x H)	31.20 x 20.00 x 30.40 mm
Temperature range, min./max.	-40 / 150 °C
Contact spacing	5 mm
Row spacing	1.00 mm
Applications	Engine attachment
Degree of protection	IPX 4K,6K,9K
Other features (SO)	Molded shield

Compact connector 1.a; 4-way

Illustration



Product information

Product code	VNP-KOMP1-4/7P
Designation	Compact connector 1.a
Part number	1 928 403 913
Quotation drawing (component)	A 928 000 452

Technical data

No. of poles	4
Color (FA)	Black
Encoding	1
Secondary lock	None
Type of contact	JPT
Type of seal (plug)	Radial seal
Type of seal (cable)	Individual wire seal
Type of locking (plug)	With plastic lug
Vibration resistance	30 g
Dimensions (L x W x H)	36.20 x 22.00 x 30.40 mm
Temperature range, min./max.	-40 / 150 °C
Contact spacing	5 mm
Row spacing	1.00 mm
Applications	Engine attachment
Degree of protection	IPX 4K, 6K, 9K
Other features (SO)	Molded shield

Compact connector 1.a; 2-way

Illustration



Product information

Product code	VNP-KOMP1-2/3P
Designation	Compact connector 1.a
Part number	1 928 403 920
Quotation drawing (component)	A 928 000 452


Technical data

No. of poles	2
Color (FA)	Gray
Encoding	2
Secondary lock	None
Type of contact	JPT
Type of seal (plug)	Radial seal
Type of seal (cable)	Individual wire seal
Type of locking (plug)	With plastic lug
Vibration resistance	30 g
Dimensions (L x W x H)	26.20 x 20.80 x 30.40 mm
Temperature range, min./max.	-40 / 150 °C
Contact spacing	5 mm
Row spacing	1.00 mm
Applications	Engine attachment
Degree of protection	IPX 4K, 6K, 9K
Other features (SO)	Molded shield


Low-way plug-in connections

Compact 1.a (2..6-way)


Compact connector 1.a; 5-way

Illustration		Technical data	
			
Product information			
Product code	VNP-KOMP1-4//7P	No. of poles	5
Designation	Compact connector 1.a	Color (FA)	Black
Part number	1 928 404 219	Encoding	5
Quotation drawing (component)	A 928 000 452	Secondary lock	None
		Type of contact	JPT
		Type of seal (plug)	Radial seal
		Type of seal (cable)	Individual wire seal
		Type of locking (plug)	With plastic lug
		Vibration resistance	30 g
		Dimensions (L x W x H)	41.20 x 22.00 x 30.40 mm
		Temperature range, min./max.	-40 / 150 °C
		Contact spacing	5 mm
		Row spacing	1.00 mm
		Applications	Engine attachment
		Degree of protection	IPX 4K, 6K, 9K
		Other features (SO)	Molded shield

Compact connector 1.a; 5-way

Illustration		Technical data	
			
Product information			
Product code	VNP-KOMP1-4//7P	No. of poles	5
Designation	Compact connector 1.a	Color (FA)	Black
Part number	1 928 404 221	Encoding	1
Quotation drawing (component)	A 928 000 452	Secondary lock	None
		Type of contact	JPT
		Type of seal (plug)	Radial seal
		Type of seal (cable)	Individual wire seal
		Type of locking (plug)	With plastic lug
		Vibration resistance	30 g
		Dimensions (L x W x H)	41.20 x 22.00 x 30.40 mm
		Temperature range, min./max.	-40 / 150 °C
		Contact spacing	5 mm
		Row spacing	1.00 mm
		Applications	Engine attachment
		Degree of protection	IPX 4K, 6K, 9K
		Other features (SO)	Molded shield

Compact connector 1.a; 2-way

Illustration		Technical data	
			
Product information			
Product code	VNP-KOMP1-2//3P	No. of poles	2
Designation	Compact connector 1.a	Color (FA)	Neutral
Part number	1 928 404 476	Encoding	1
Quotation drawing (component)	A 928 000 452	Secondary lock	None
		Type of contact	JPT
		Type of seal (plug)	Radial seal
		Type of seal (cable)	Individual wire seal
		Type of locking (plug)	With plastic lug
		Vibration resistance	30 g
		Dimensions (L x W x H)	26.20 x 20.00 x 30.40 mm
		Temperature range, min./max.	-40 / 150 °C
		Contact spacing	5 mm
		Row spacing	1.00 mm
		Applications	Engine attachment
		Degree of protection	IPX 4K, 6K, 9K
		Other features (SO)	Molded shield

Low-way plug-in connections

Compact 1.a (2..6-way)

Compact connector 1.a; 4-way

Illustration



Product information

Product code	VNP-KOMP1-4//7P
Designation	Compact connector 1.a
Part number	1 928 404 627
Quotation drawing (component)	A 928 000 452

Technical data

No. of poles	4
Color (FA)	Gray
Type of seal (plug)	Radial seal
Type of seal (cable)	Individual wire seal
Type of locking (plug)	With plastic lug
Vibration resistance	30 g
Temperature range, min./max.	-40 / 150 °C
Contact spacing	5 mm
Row spacing	2.80 mm
Applications	Engine attachment
Degree of protection	IPX4K, 6K, 9K
Other features (SO)	Molded shield

Compact connector 1.a; 6-way

Illustration



Product information

Product code	VNP-KOMP1-4//7P
Designation	Compact connector 1.a
Part number	1 928 404 629
Quotation drawing (component)	A 928 000 452

Technical data

No. of poles	6
Color (FA)	Black
Encoding	1
Secondary lock	None
Type of contact	JPT
Type of seal (plug)	Radial seal
Type of seal (cable)	Individual wire seal
Type of locking (plug)	With plastic lug
Vibration resistance	30 g
Dimensions (L x W x H)	46.20 x 22.00 x 30.40 mm
Temperature range, min./max.	-40 / 150 °C
Contact spacing	5 mm
Row spacing	1.00 mm
Applications	Engine attachment
Degree of protection	IPX 4K, 6K, 9K
Other features (SO)	Molded shield

Compact connector 1.a; 6-way

Illustration



Product information

Product code	VNP-KOMP1-4//7P
Designation	Compact connector 1.a
Part number	1 928 404 631
Quotation drawing (component)	A 928 000 452


Technical data

Color (FA)	Gray
Encoding	2
Secondary lock	None
Type of contact	JPT
Type of seal (plug)	Radial seal
Type of seal (cable)	Individual wire seal
Type of locking (plug)	With plastic lug
Vibration resistance	20 g
Dimensions (L x W x H)	46.20 x 22.00 x 30.40 mm
Temperature range, min./max.	-40 / 150 °C
Contact spacing	5 mm
Row spacing	2.80 mm
Applications	Bodywork attachment
Degree of protection	IPX 4K, 9K
Other features (SO)	Molded shield


Low-way plug-in connections

Compact 1.a (2..6-way)


Compact connector 1.a; 2-way

Illustration		Technical data	
		No. of poles	2
		Color (FA)	Neutral
		Type of seal (plug)	Radial seal
		Type of seal (cable)	Individual wire seal
		Type of locking (plug)	With plastic lug
		Vibration resistance	30 g
		Temperature range, min./max.	-40 / 150 °C
		Contact spacing	5 mm
		Row spacing	2.80 mm
		Applications	Engine attachment
		Degree of protection	IPX4K, 6K, 9K
		Other features (SO)	Molded shield
Product information			
Product code	VNP-KOMP1-2/3P		
Designation	Compact connector 1.a		
Part number	1 928 404 707		
Quotation drawing (component)	A 928 000 452		

2-way end clip

Illustration		Technical data	
		No. of poles	2
		Color (FA)	Neutral
		Secondary lock	None
		Type of seal (plug)	Radial seal
		Type of seal (cable)	Individual wire seal
		Type of locking (plug)	With plastic lug
		Vibration resistance	25 g
		Dimensions (L x W x H)	11.50 x 7.10 x 17.40 mm
		Temperature range, min./max.	-40 / 150 °C
		Contact spacing	5 mm
		Row spacing	2.80 mm
		Applications	Bodywork attachment
		Degree of protection	IPX4K, IPX9K
Product information			
Product code	VAFK		
Designation	General connection systems, external customers		
Part number	1 928 404 886		
Quotation drawing (component)	1 928 A00 257		

3-way end clip

Illustration		Technical data	
		No. of poles	3
		Color (FA)	Neutral
		Secondary lock	None
		Type of seal (plug)	Radial seal
		Type of seal (cable)	Individual wire seal
		Type of locking (plug)	With plastic lug
		Vibration resistance	25 g
		Dimensions (L x W x H)	11.50 x 7.10 x 22.40 mm
		Temperature range, min./max.	-40 / 150 °C
		Contact spacing	5 mm
		Row spacing	2.80 mm
		Degree of protection	IPX4K, IPX9K
Product information			
Product code	VAFK		
Designation	General connection systems, external customers		
Part number	1 928 404 887		
Quotation drawing (component)	1 928 A00 257		

Low-way plug-in connections

Compact 1.a (2..6-way)

4-way end clip

Illustration



Product information

Product code	VAFK
Designation	General connection systems, external customers
Part number	1 928 404 888
Quotation drawing (component)	1 928 A00 257

Technical data

No. of poles	4
Secondary lock	None
Type of seal (plug)	Radial seal
Type of seal (cable)	Individual wire seal
Type of locking (plug)	With plastic lug
Vibration resistance	25 g
Dimensions (L x W x H)	27.40 x 11.50 x 7.10 mm
Temperature range, min./max.	-40 / 150 °C
Contact spacing	5 mm
Row spacing	2.80 mm
Applications	Engine attachment
Degree of protection	IPX4K, IPX9K

5-way end clip

Illustration



Product information

Product code	VAFK
Designation	General connection systems, external customers
Part number	1 928 404 889
Quotation drawing (component)	1 928 A00 257

Technical data

No. of poles	5
Color (FA)	Neutral
Secondary lock	None
Type of seal (plug)	Radial seal
Type of seal (cable)	Individual wire seal
Type of locking (plug)	With plastic lug
Vibration resistance	25 g
Dimensions (L x W x H)	32.40 x 11.50 x 7.10 mm
Temperature range, min./max.	-40 / 150 °C
Contact spacing	5 mm
Row spacing	2.80 mm
Applications	Engine attachment
Degree of protection	IPX4K, IPX9K

6-way end clip

Illustration



Product information

Product code	VAFK
Designation	General connection systems, external customers
Part number	1 928 404 890
Quotation drawing (component)	1 928 A00 257

Technical data

No. of poles	6
Color (FA)	Black
Secondary lock	None
Type of seal (plug)	Radial seal
Type of seal (cable)	Individual wire seal
Type of locking (plug)	With plastic lug
Vibration resistance	25 g
Dimensions (L x W x H)	37.40 x 11.50 x 7.10 mm
Temperature range, min./max.	-40 / 150 °C
Contact spacing	5 mm
Row spacing	2.80 mm
Applications	Engine attachment
Degree of protection	IPX4K, IPX9K

Low-way plug-in connections

Compact 1.1a (2..3-way)

General information

Illustration



Features

- ▶ BDK contact (advanced version of BSK contact)
- ▶ Molded shield
- ▶ Sealed plug-in connection
- ▶ No. of contacts 2...3
- ▶ Individual wire seal
- ▶ Less space required

Technical description

The compact connector Compact 1.1a is used for the connection of automotive electronic assemblies such as sensors and actuators. The plug-in connection has a radial seal and has individual wire seals for the wiring. The plug-in connection is suitable for engine-compartment installation and for engine-mounted components. This connector also has a molded shield in the area of the radial seal. The compact connector is connected (disconnected) directly and locked by a plastic lug.

Technical features

- ▶ Vibration resistance: 30 g
- ▶ Temperature range: -40...+150° C (contact with gold-plated surface)
- ▶ Degree of protection: IP X4K, X6K, X9K
- ▶ Connection cross-sections: 0.5...2.5 mm²
- ▶ Suitable contacts: BDK 2.8 (advanced version of BSK 2.8) with individual wire seal
- ▶ Contact spacing/posts: 5 mm/2.8 mm

All currently applicable quotation drawings and technical customer documentation for the Compact 1.1a (2..3-way) product category can be found in the internet under www.bosch-connectors.com.

2-way end clip

Illustration



Product information

Product code	VNP-KOMP1-2/3P
Designation	Compact connector 1
Part number	1 928 403 422
Quotation drawing (component)	1 928 A00 257

Technical data

No. of poles	2
Color (FA)	Black
Secondary lock	None
Type of seal (plug)	Radial seal
Type of seal (cable)	Individual wire seal
Type of locking (plug)	With plastic lug
Vibration resistance	25 g
Dimensions (L x W x H)	11.50 x 7.10 x 17.40 mm
Temperature range, min./max.	-40 / 150 °C
Contact spacing	5 mm
Row spacing	2.80 mm
Applications	Bodywork attachment
Degree of protection	IPX4K, IPX9K

Low-way plug-in connections

Compact 1.1a (2..3-way)

3-way end clip

Illustration



Product information

Product code	VNP-KOMP1-2/3P
Designation	Compact connector 1
Part number	1 928 403 423
Quotation drawing (component)	1 928 A00 257

Technical data

No. of poles	3
Color (FA)	Black
Secondary lock	None
Type of seal (plug)	Radial seal
Type of seal (cable)	Individual wire seal
Type of locking (plug)	With plastic lug
Vibration resistance	25 g
Dimensions (L x W x H)	11.50 x 7.10 x 22.40 mm
Temperature range, min./max.	-40 / 150 °C
Contact spacing	5 mm
Row spacing	2.80 mm
Applications	Bodywork attachment
Degree of protection	IPX4K, IPX9K

Compact connector 1.1a; 2-way

Illustration



Product information

Product code	VNP-KOMP1-2/3P
Designation	Compact connector 1.1a
Part number	1 928 403 874
Quotation drawing (component)	A 928 000 453

Technical data

No. of poles	2
Color (FA)	Black
Encoding	1
Secondary lock	None
Type of contact	BDK 2.8
Type of seal (plug)	Radial seal
Type of seal (cable)	Individual wire seal
Type of locking (plug)	With plastic lug
Vibration resistance	30 g
Dimensions (L x W x H)	26.20 x 20.00 x 30.40 mm
Temperature range, min./max.	-40 / 150 °C
Contact spacing	5 mm
Row spacing	1.00 mm
Applications	Engine attachment
Degree of protection	IPX 4K, 6K, 9K
Other features (SO)	Molded shield

Compact connector 1.1a; 2-way

Illustration



Product information

Product code	VNP-KOMP1-2/3P
Designation	Compact connector 1.1a
Part number	1 928 403 876
Quotation drawing (component)	A 928 000 453


Technical data

No. of poles	2
Color (FA)	Brown
Encoding	1
Secondary lock	None
Type of contact	BDK 2.8
Type of seal (plug)	Radial seal
Type of seal (cable)	Individual wire seal
Type of locking (plug)	With plastic lug
Vibration resistance	30 g
Dimensions (L x W x H)	26.20 x 20.00 x 30.40 mm
Temperature range, min./max.	-40 / 150 °C
Contact spacing	5 mm
Row spacing	1.00 mm
Applications	Engine attachment
Degree of protection	IPX 4K, 6K, 9K
Other features (SO)	Molded shield


Low-way plug-in connections

Compact 1.1a (2..3-way)


Compact connector 1.1a; 2-way

Illustration		Technical data	
		No. of poles	2
		Color (FA)	White
Product information		Encoding	2
		Secondary lock	None
Product code	VNP-KOMP1-2/3P	Type of contact	BDK 2.8
Designation	Compact connector 1.1a	Type of seal (plug)	Radial seal
Part number	1 928 403 878	Type of seal (cable)	Individual wire seal
Quotation drawing (component)	A 928 000 453	Type of locking (plug)	With plastic lug
		Vibration resistance	30 g
		Dimensions (L x W x H)	26.20 x 20.00 x 30.40 mm
		Temperature range, min./max.	-40 / 150 °C
		Contact spacing	5 mm
		Row spacing	1.00 mm
		Applications	Engine attachment
		Degree of protection	IPX 4K, 6K, 9K
		Other features (SO)	Molded shield

Compact connector 1.1a; 3-way

Illustration		Technical data	
		No. of poles	3
		Color (FA)	Black
Product information		Encoding	1
		Secondary lock	None
Product code	VNP-KOMP1-2/3P	Type of contact	BDK 2.8
Designation	Compact connector 1.1a	Type of seal (plug)	Radial seal
Part number	1 928 403 966	Type of seal (cable)	Individual wire seal
Quotation drawing (component)	A 928 000 453	Type of locking (plug)	With plastic lug
		Vibration resistance	30 g
		Dimensions (L x W x H)	31.20 x 20.00 x 30.40 mm
		Temperature range, min./max.	-40 / 150 °C
		Contact spacing	5 mm
		Row spacing	1.00 mm
		Applications	Engine attachment
		Degree of protection	IPX 4K, 6K, 9K
		Other features (SO)	Molded shield

Compact connector 1.1a; 3-way

Illustration		Technical data	
		No. of poles	3
		Color (FA)	Black
Product information		Encoding	2
		Secondary lock	None
Product code	VNP-KOMP1-2/3P	Type of contact	BDK 2.8
Designation	Compact connector 1.1a	Type of seal (plug)	Radial seal
Part number	1 928 403 968	Type of seal (cable)	Individual wire seal
Quotation drawing (component)	A 928 000 453	Type of locking (plug)	With plastic lug
		Vibration resistance	30 g
		Dimensions (L x W x H)	31.20 x 20.00 x 30.40 mm
		Temperature range, min./max.	-40 / 150 °C
		Contact spacing	5 mm
		Row spacing	1.00 mm
		Applications	Engine attachment
		Degree of protection	IPX 4K, 6K, 9K
		Other features (SO)	Molded shield

Low-way plug-in connections

Compact 1.1a (2..3-way)

Compact connector 1.1a; 3-way

Illustration



Product information

Product code	VNP-KOMP1-2/3P
Designation	Compact connector 1.1a
Part number	1 928 403 970
Quotation drawing (component)	A 928 000 453

Technical data

No. of poles	3
Color (FA)	blue
Encoding	1
Secondary lock	None
Type of contact	BDK 2.8
Type of seal (plug)	Radial seal
Type of seal (cable)	Individual wire seal
Type of locking (plug)	With plastic lug
Vibration resistance	30 g
Dimensions (L x W x H)	31.20 x 20.00 x 30.40 mm
Temperature range, min./max.	-40 / 150 °C
Contact spacing	5 mm
Row spacing	1.00 mm
Applications	Engine attachment
Degree of protection	IPX 4K, 6K, 9K
Other features (SO)	Molded shield

Compact connector 1.1a; 2-way

Illustration



Product information

Product code	VNP-KOMP1-2/3P
Designation	Compact connector 1.1a
Part number	1 928 404 114
Quotation drawing (component)	A 928 000 453

Technical data

No. of poles	2
Color (FA)	Black
Encoding	2
Secondary lock	None
Type of contact	BDK 2.8
Type of seal (plug)	Radial seal
Type of seal (cable)	Individual wire seal
Type of locking (plug)	With plastic lug
Vibration resistance	30 g
Dimensions (L x W x H)	26.20 x 20.00 x 30.40 mm
Temperature range, min./max.	-40 / 150 °C
Contact spacing	5 mm
Row spacing	1.00 mm
Applications	Engine attachment
Degree of protection	IPX 4K, 6K, 9K
Other features (SO)	Molded shield

Compact connector 1.1a; 2-way

Illustration



Product information

Product code	VNP-KOMP1-2/3P
Designation	Compact connector 1.1a
Part number	1 928 404 213
Quotation drawing (component)	A 928 000 453


Technical data

No. of poles	2
Color (FA)	Gray
Encoding	3
Secondary lock	None
Type of contact	BDK 2.8
Type of seal (plug)	Radial seal
Type of seal (cable)	Individual wire seal
Type of locking (plug)	With plastic lug
Vibration resistance	30 g
Dimensions (L x W x H)	26.20 x 20.00 x 30.40 mm
Temperature range, min./max.	-40 / 150 °C
Contact spacing	5 mm
Row spacing	1.00 mm
Applications	Engine attachment
Degree of protection	IPX 4K, 6K, 9K
Other features (SO)	Molded shield


Low-way plug-in connections

Compact 1.1a (2..3-way)


Compact connector 1.1a; 2-way

Illustration		Technical data	
		No. of poles	2
		Color (FA)	blue
Product information		Encoding	4
		Secondary lock	None
Product code	VNP-KOMP1-2/3P	Type of contact	BDK 2.8
Designation	Compact connector 1.1a	Type of seal (plug)	Radial seal
Part number	1 928 404 215	Type of seal (cable)	Individual wire seal
Quotation drawing (component)	A 928 000 453	Type of locking (plug)	With plastic lug
		Vibration resistance	30 g
		Dimensions (L x W x H)	26.20 x 20.00 x 30.40 mm
		Temperature range, min./max.	-40 / 150 °C
		Contact spacing	5 mm
		Row spacing	1.00 mm
		Applications	Engine attachment
		Degree of protection	IPX 4K, 6K, 9K
		Other features (SO)	Molded shield

Compact connector 1.1a; 2-way

Illustration		Technical data	
		No. of poles	2
		Color (FA)	Black
Product information		Encoding	1
		Secondary lock	None
Product code	VNP-KOMP1-2/3P	Type of contact	BDK 2.8
Designation	Compact connector 1.1a	Type of seal (plug)	Radial seal (F-VMQ)
Part number	1 928 404 655	Type of seal (cable)	Individual wire seal
Quotation drawing (component)	A 928 000 453	Type of locking (plug)	With plastic lug
		Vibration resistance	30 g
		Dimensions (L x W x H)	26.20 x 20.00 x 30.40 mm
		Temperature range, min./max.	-40 / 150 °C
		Contact spacing	5 mm
		Row spacing	1.00 mm
		Applications	Engine attachment
		Degree of protection	IPX 4K, 6K, 9K
		Other features (SO)	Molded shield

Compact connector 1.1a; 3-way

Illustration		Technical data	
		Color (FA)	Black/brown/white/blue/gray
		Encoding	All
Product information		Secondary lock	None
		Type of contact	BSK 2.8
Product code	VNP-KOMP1-2/3P	Type of seal (plug)	Radial seal
Designation	Compact connector 1.1a	Type of seal (cable)	Individual wire seal
Part number	1 928 404 656	Type of locking (plug)	With plastic lug
Quotation drawing (component)	A 928 000 453	Vibration resistance	30 g
		Dimensions (L x W x H)	31.20 x 16.20 x 30.40 mm
		Temperature range, min./max.	-40 / 150 °C
		Contact spacing	5 mm
		Row spacing	2.80 mm
		Applications	Bodywork attachment
		Degree of protection	IPX 4K, 6K, 9K
		Other features (SO)	Molded shield

Low-way plug-in connections

Compact 1.1a (2..3-way)

Compact connector 1.1a; 3-way

Illustration



Product information

Product code	VNP-KOMP1-2/3P
Designation	Compact connector 1.1a
Part number	1 928 404 657
Quotation drawing (component)	A 928 000 453

Technical data

No. of poles	3
Color (FA)	Black
Encoding	2
Secondary lock	None
Type of contact	BSK 2.8
Type of seal (plug)	Radial seal
Type of seal (cable)	Individual wire seal
Type of locking (plug)	With plastic lug
Vibration resistance	20 g
Dimensions (L x W x H)	31.20 x 20.00 x 30.40 mm
Temperature range, min./max.	-40 / 150 °C
Contact spacing	5 mm
Row spacing	2.80 mm
Applications	Bodywork attachment
Degree of protection	IPX 4K, 6K, 9K
Other features (SO)	Molded shield

Compact connector 1.1a; 2-way

Illustration



Product information

Product code	VNP-KOMP1-2/3P
Designation	Compact connector 1.1a
Part number	1 928 404 678
Quotation drawing (component)	A 928 000 453

Technical data

No. of poles	2
Color (FA)	Black
Encoding	2
Secondary lock	None
Type of contact	BDK 2.8
Type of seal (plug)	Radial seal (F-VMQ)
Type of seal (cable)	Individual wire seal
Type of locking (plug)	With plastic lug
Vibration resistance	30 g
Dimensions (L x W x H)	26.20 x 20.00 x 30.40 mm
Temperature range, min./max.	-40 / 150 °C
Contact spacing	5 mm
Row spacing	1.00 mm
Applications	Engine attachment
Degree of protection	IPX 4K, 6K, 9K
Other features (SO)	Molded shield

2-way end clip

Illustration



Product information

Product code	VAFK
Designation	General connection systems, external customers
Part number	1 928 404 886
Quotation drawing (component)	1 928 A00 257


Technical data

No. of poles	2
Color (FA)	Neutral
Secondary lock	None
Type of seal (plug)	Radial seal
Type of seal (cable)	Individual wire seal
Type of locking (plug)	With plastic lug
Vibration resistance	25 g
Dimensions (L x W x H)	11.50 x 7.10 x 17.40 mm
Temperature range, min./max.	-40 / 150 °C
Contact spacing	5 mm
Row spacing	2.80 mm
Applications	Bodywork attachment
Degree of protection	IPX4K, IPX9K

Low-way plug-in connections

Compact 1.1a (2..3-way)

3-way end clip

Illustration		Technical data	
		No. of poles	3
		Color (FA)	Neutral
		Secondary lock	None
		Type of seal (plug)	Radial seal
		Type of seal (cable)	Individual wire seal
		Type of locking (plug)	With plastic lug
		Vibration resistance	25 g
		Dimensions (L x W x H)	11.50 x 7.10 x 22.40 mm
		Temperature range, min./max.	-40 / 150 °C
		Contact spacing	5 mm
		Row spacing	2.80 mm
		Degree of protection	IPX4K, IPX9K
Product information			
Product code		VAFK	
Designation	General connection systems, external customers		
Part number	1 928 404 887		
Quotation drawing (component)	1 928 A00 257		

Low-way plug-in connections

Compact 1.m (2..7-way)

General information

Illustration



Features

- ▶ Fitted with shield
- ▶ Sealed plug-in connection
- ▶ No. of contacts 2...7
- ▶ Individual wire seal
- ▶ Less space required

Technical description

The compact connector Compact 1.m is used for the connection of such automotive electronic assemblies as sensors and actuators. The plug-in connection has a radial seal and has individual wire seals for the wiring. The plug-in connection is suitable for engine-compartment installation and for engine-mounted components. This connector also has a shield in the area of the radial seal. The compact connector is connected (disconnected) directly and locked by a plastic lug.

Technical features

- ▶ Vibration resistance: 25...30 g (depending on number of poles)
- ▶ Temperature range: -40...+150° C (contact with gold-plated surface)
- ▶ Degree of protection: IP X4K, IP X9K
- ▶ Connection cross-sections: 0.35...2.5 mm²
- ▶ Suitable contacts: JPT with individual wire seal
- ▶ Contact spacing/posts: 5 mm/2.8 mm

All currently applicable quotation drawings and technical customer documentation for the Compact 1.m (2..7-way) product category can be found in the internet under www.bosch-connectors.com.

Compact connector 1.m; 2-way

Illustration



Product information

Product code	VNP-KOMP1-2/3P
Designation	Compact connector 1.m
Part number	1 928 403 192
Quotation drawing (component)	A 928 000 452


Technical data

No. of poles	2
Color (FA)	Black
Encoding	1
Secondary lock	None
Type of contact	JPT
Type of seal (plug)	Radial seal
Type of seal (cable)	Individual wire seal
Type of locking (plug)	Plastic lug
Vibration resistance	25 g
Dimensions (L x W x H)	26.20 x 20.80 x 30.40 mm
Temperature range, min./max.	-40 / 150 °C
Contact spacing	5 mm
Row spacing	1.00 mm
Applications	Engine attachment
Degree of protection	IPX4K, 6K, 9K
Other features (SO)	Fitted with shield


Low-way plug-in connections

Compact 1.m (2..7-way)


Compact connector 1.m; 2-way

Illustration		Technical data	
		No. of poles	2
		Color (FA)	blue
Product information		Encoding	1
		Secondary lock	None
Product code	VNP-KOMP1-2/3P	Type of contact	JPT
Designation	Compact connector 1.m	Type of seal (plug)	Radial seal
Part number	1 928 403 194	Type of seal (cable)	Individual wire seal
Quotation drawing (component)	A 928 000 452	Type of locking (plug)	With plastic lug
		Vibration resistance	25 g
		Dimensions (L x W x H)	26.20 x 20.80 x 30.40 mm
		Temperature range, min./max.	-40 / 150 °C
		Contact spacing	5 mm
		Row spacing	1.00 mm
		Applications	Engine attachment
		Degree of protection	IPX 4K, 6K, 9K
		Other features (SO)	Fitted with shield

Compact connector 1.m; 3-way

Illustration		Technical data	
		No. of poles	3
		Color (FA)	Black
Product information		Encoding	1
		Secondary lock	None
Product code	VNP-KOMP1-2/3P	Type of contact	JPT
Designation	Compact connector 1.m	Type of seal (plug)	Radial seal
Part number	1 928 403 196	Type of seal (cable)	Individual wire seal
Quotation drawing (component)	A 928 000 452	Type of locking (plug)	With plastic lug
		Vibration resistance	25 g
		Dimensions (L x W x H)	31.20 x 20.80 x 30.40 mm
		Temperature range, min./max.	-40 / 150 °C
		Contact spacing	5 mm
		Row spacing	1.00 mm
		Applications	Engine attachment
		Degree of protection	IPX 4K, 6K, 9K
		Other features (SO)	Fitted with shield


Compact connector 1.m; 4-way

Illustration		Technical data	
		No. of poles	4
		Color (FA)	Black
Product information		Encoding	1
		Secondary lock	None
Product code	VNP-KOMP1-4/7P	Type of contact	JPT
Designation	Compact connector 1.m	Type of seal (plug)	Radial seal
Part number	1 928 403 198	Type of seal (cable)	Individual wire seal
Quotation drawing (component)	A 928 000 452	Type of locking (plug)	With plastic lug
		Vibration resistance	25 g
		Dimensions (L x W x H)	36.00 x 22.80 x 30.40 mm
		Temperature range, min./max.	-40 / 150 °C
		Contact spacing	5 mm
		Row spacing	1.00 mm
		Applications	Engine attachment
		Degree of protection	IPX 4K, 6K, 9K
		Other features (SO)	Fitted with shield

Low-way plug-in connections


Compact 1.m (2..7-way)

Compact connector 1.m; 5-way

Illustration	
	
Product information	
Product code	VNP-KOMP1-4//7P
Designation	Compact connector 1.m
Part number	1 928 403 200
Quotation drawing (component)	A 928 000 452


Technical data	
No. of poles	5
Color (FA)	Black
Encoding	1
Secondary lock	None
Type of contact	JPT
Type of seal (plug)	Radial seal
Type of seal (cable)	Individual wire seal
Type of locking (plug)	With plastic lug
Vibration resistance	25 g
Dimensions (L x W x H)	41.00 x 22.80 x 30.40 mm
Temperature range, min./max.	-40 / 150 °C
Contact spacing	5 mm
Row spacing	1.00 mm
Applications	Engine attachment
Degree of protection	IPX 4K, 6K, 9K
Other features (SO)	Fitted with shield

Compact connector 1.m; 6-way

Illustration	
	
Product information	
Product code	VNP-KOMP1-4//7P
Designation	Compact connector 1.m
Part number	1 928 403 204
Quotation drawing (component)	A 928 000 452

Technical data	
No. of poles	6
Color (FA)	Black
Encoding	1
Secondary lock	None
Type of contact	JPT
Type of seal (plug)	Radial seal
Type of seal (cable)	Individual wire seal
Type of locking (plug)	With plastic lug
Vibration resistance	25 g
Dimensions (L x W x H)	46.00 x 22.80 x 30.40 mm
Temperature range, min./max.	-40 / 150 °C
Contact spacing	5 mm
Row spacing	1.00 mm
Applications	Engine attachment
Degree of protection	IPX 4K, 6K, 9K
Other features (SO)	Fitted with shield

Compact connector 1.m; 7-way


Illustration	
	
Product information	
Product code	VNP-KOMP
Designation	Compact connector
Part number	1 928 403 222
Quotation drawing (component)	A 928 000 452

Technical data	
No. of poles	7
Color (FA)	Black
Encoding	1
Secondary lock	None
Type of contact	JPT
Type of seal (plug)	Radial seal
Type of seal (cable)	Individual wire seal
Type of locking (plug)	With plastic lug
Vibration resistance	20 g
Dimensions (L x W x H)	51.00 x 22.80 x 30.40 mm
Temperature range, min./max.	-40 / 150 °C
Contact spacing	5 mm
Row spacing	2.80 mm
Applications	Bodywork attachment
Degree of protection	IPX 4K,9K
Other features (SO)	Fitted with shield


Low-way plug-in connections

Compact 1.m (2..7-way)


2-way end clip

Illustration		Technical data	
		No. of poles	2
		Color (FA)	Black
Product information		Secondary lock	None
		Type of seal (plug)	Radial seal
		Type of seal (cable)	Individual wire seal
		Type of locking (plug)	With plastic lug
		Vibration resistance	25 g
		Dimensions (L x W x H)	11.50 x 7.10 x 17.40 mm
		Temperature range, min./max.	-40 / 150 °C
		Contact spacing	5 mm
		Row spacing	2.80 mm
		Applications	Bodywork attachment
Quotation drawing (component)	1 928 A00 257	Degree of protection	IPX4K, IPX9K

3-way end clip

Illustration		Technical data	
		No. of poles	3
		Color (FA)	Black
Product information		Secondary lock	None
		Type of seal (plug)	Radial seal
		Type of seal (cable)	Individual wire seal
		Type of locking (plug)	With plastic lug
		Vibration resistance	25 g
		Dimensions (L x W x H)	11.50 x 7.10 x 22.40 mm
		Temperature range, min./max.	-40 / 150 °C
		Contact spacing	5 mm
		Row spacing	2.80 mm
		Applications	Bodywork attachment
Quotation drawing (component)	1 928 A00 257	Degree of protection	IPX4K, IPX9K

4-way end clip

Illustration		Technical data	
		No. of poles	4
		Color (FA)	Black
Product information		Secondary lock	None
		Type of seal (plug)	Radial seal
		Type of seal (cable)	Individual wire seal
		Type of locking (plug)	With plastic lug
		Vibration resistance	25 g
		Dimensions (L x W x H)	11.50 x 7.10 x 27.40 mm
		Temperature range, min./max.	-40 / 150 °C
		Contact spacing	5 mm
		Row spacing	2.80 mm
		Applications	Bodywork attachment
Quotation drawing (component)	1 928 A00 257	Degree of protection	IPX4K, IPX9K

Low-way plug-in connections

Compact 1.m (2..7-way)

5-way end clip

Illustration



Product information

Product code	VNP-KOMP2-4//7P
Designation	Compact connector 2
Part number	1 928 403 425
Quotation drawing (component)	1 928 A00 257

Technical data

No. of poles	5
Color (FA)	Black
Secondary lock	None
Type of seal (plug)	Radial seal
Type of seal (cable)	Individual wire seal
Type of locking (plug)	With slide
Vibration resistance	24 g
Dimensions (L x W x H)	11.50 x 7.10 x 32.40 mm
Temperature range, min./max.	-40 / 150 °C
Contact spacing	5 mm
Row spacing	2.80 mm
Applications	Bodywork attachment
Degree of protection	IPX4K, IPX9K

6-way end clip

Illustration



Product information

Product code	VNP-KOMP1-4//7P
Designation	Compact connector 1
Part number	1 928 403 426
Quotation drawing (component)	1 928 A00 257

Technical data

No. of poles	6
Color (FA)	Black
Secondary lock	None
Type of seal (plug)	Radial seal
Type of seal (cable)	Individual wire seal
Type of locking (plug)	With plastic lug
Vibration resistance	25 g
Dimensions (L x W x H)	11.50 x 7.10 x 37.40 mm
Temperature range, min./max.	-40 / 150 °C
Contact spacing	5 mm
Row spacing	2.80 mm
Applications	Bodywork attachment
Degree of protection	IPX4K, IPX9K

7-way end clip

Illustration



Product information

Product code	VAFK
Designation	General connection systems, external customers
Part number	1 928 403 427
Quotation drawing (component)	1 928 A00 257


Technical data

No. of poles	7
Color (FA)	Black
Secondary lock	None
Type of seal (plug)	Radial seal
Type of seal (cable)	Individual wire seal
Type of locking (plug)	With plastic lug
Vibration resistance	25 g
Dimensions (L x W x H)	42.40 x 11.50 x 7.10 mm
Temperature range, min./max.	-40 / 150 °C
Contact spacing	5 mm
Row spacing	2.80 mm
Applications	Bodywork attachment
Degree of protection	IPX4K, IPX9K


Low-way plug-in connections

Compact 1.m (2..7-way)


6-way end clip with grooved tubular connection

Illustration		Technical data	
		No. of poles	6
		Color (FA)	Black
Product information		Secondary lock	None
		Type of seal (plug)	Radial seal
Product code	VNP-KOMP1-4//7P	Type of seal (cable)	Individual wire seal
Designation	Compact connector 1	Type of locking (plug)	With plastic lug
Part number	1 928 403 432	Vibration resistance	25 g
Quotation drawing (component)	1 928 A00 257	Dimensions (L x W x H)	26.10 x 37.40 x 29.20 mm
		Temperature range, min./max.	-40 / 150 °C
		Contact spacing	5 mm
		Row spacing	2.80 mm
		Applications	Bodywork attachment
		Degree of protection	IPX4K, IPX9K

Compact connector 1.m; 5-way

Illustration		Technical data	
		No. of poles	5
		Color (FA)	Black
Product information		Encoding	5
		Secondary lock	None
Product code	VNP-KOMP1-4//7P	Type of contact	JPT
Designation	Compact connector 1.m	Type of seal (plug)	Radial seal
Part number	1 928 403 812	Type of seal (cable)	Individual wire seal
Quotation drawing (component)	A 928 000 452	Type of locking (plug)	With plastic lug
		Vibration resistance	25 g
		Dimensions (L x W x H)	35.00 x 21.00 x 30.40 mm
		Temperature range, min./max.	-40 / 150 °C
		Contact spacing	5 mm
		Row spacing	1.00 mm
		Applications	Engine attachment
		Degree of protection	IPX 4K, 6K, 9K
		Other features (SO)	With shield

Compact connector 1.m; 6-way

Illustration		Technical data	
		No. of poles	6
		Color (FA)	Gray
Product information		Encoding	2
		Secondary lock	None
Product code	VNP-KOMP1-4//7P	Type of contact	JPT
Designation	Compact connector 1.m	Type of seal (plug)	Radial seal
Part number	1 928 403 815	Type of seal (cable)	Individual wire seal
Quotation drawing (component)	A 928 000 452	Type of locking (plug)	With plastic lug
		Vibration resistance	25 g
		Dimensions (L x W x H)	46.00 x 22.80 x 30.40 mm
		Temperature range, min./max.	-40 / 150 °C
		Contact spacing	5 mm
		Row spacing	1.00 mm
		Applications	Engine attachment
		Degree of protection	IPX 4K, 6K, 9K
		Other features (SO)	Fitted with shield

Low-way plug-in connections

Compact 1.m (2..7-way)

Compact connector 1.m; 3-way

Illustration



Product information

Product code	VNP-KOMP1-2/3P
Designation	Compact connector 1.m
Part number	1 928 403 914
Quotation drawing (component)	A 928 000 452

Technical data

No. of poles	3
Color (FA)	Gray
Encoding	1
Secondary lock	None
Type of contact	JPT
Type of seal (plug)	Radial seal
Type of seal (cable)	Individual wire seal
Type of locking (plug)	With plastic lug
Vibration resistance	25 g
Dimensions (L x W x H)	31.20 x 20.80 x 30.40 mm
Temperature range, min./max.	-40 / 150 °C
Contact spacing	5 mm
Row spacing	1.00 mm
Applications	Engine attachment
Degree of protection	IPX 4K, 6K, 9K
Other features (SO)	Fitted with shield

2-way end clip

Illustration



Product information

Product code	VAFK
Designation	General connection systems, external customers
Part number	1 928 404 886
Quotation drawing (component)	1 928 A00 257

Technical data

No. of poles	2
Color (FA)	Neutral
Secondary lock	None
Type of seal (plug)	Radial seal
Type of seal (cable)	Individual wire seal
Type of locking (plug)	With plastic lug
Vibration resistance	25 g
Dimensions (L x W x H)	11.50 x 7.10 x 17.40 mm
Temperature range, min./max.	-40 / 150 °C
Contact spacing	5 mm
Row spacing	2.80 mm
Applications	Bodywork attachment
Degree of protection	IPX4K, IPX9K

3-way end clip

Illustration



Product information

Product code	VAFK
Designation	General connection systems, external customers
Part number	1 928 404 887
Quotation drawing (component)	1 928 A00 257


Technical data

No. of poles	3
Color (FA)	Neutral
Secondary lock	None
Type of seal (plug)	Radial seal
Type of seal (cable)	Individual wire seal
Type of locking (plug)	With plastic lug
Vibration resistance	25 g
Dimensions (L x W x H)	11.50 x 7.10 x 22.40 mm
Temperature range, min./max.	-40 / 150 °C
Contact spacing	5 mm
Row spacing	2.80 mm
Degree of protection	IPX4K, IPX9K


Low-way plug-in connections

Compact 1.m (2..7-way)


4-way end clip

Illustration		Technical data	
		No. of poles	4
		Secondary lock	None
		Type of seal (plug)	Radial seal
		Type of seal (cable)	Individual wire seal
		Type of locking (plug)	With plastic lug
		Vibration resistance	25 g
		Dimensions (L x W x H)	27.40 x 11.50 x 7.10 mm
		Temperature range, min./max.	-40 / 150 °C
		Contact spacing	5 mm
		Row spacing	2.80 mm
		Applications	Engine attachment
		Degree of protection	IPX4K, IPX9K
Product information			
Product code	VAFK		
Designation	General connection systems, external customers		
Part number	1 928 404 888		
Quotation drawing (component)	1 928 A00 257		

5-way end clip

Illustration		Technical data	
		No. of poles	5
		Color (FA)	Neutral
		Secondary lock	None
		Type of seal (plug)	Radial seal
		Type of seal (cable)	Individual wire seal
		Type of locking (plug)	With plastic lug
		Vibration resistance	25 g
		Dimensions (L x W x H)	32.40 x 11.50 x 7.10 mm
		Temperature range, min./max.	-40 / 150 °C
		Contact spacing	5 mm
		Row spacing	2.80 mm
		Applications	Engine attachment
		Degree of protection	IPX4K, IPX9K
Product information			
Product code	VAFK		
Designation	General connection systems, external customers		
Part number	1 928 404 889		
Quotation drawing (component)	1 928 A00 257		

6-way end clip

Illustration		Technical data	
		No. of poles	6
		Color (FA)	Black
		Secondary lock	None
		Type of seal (plug)	Radial seal
		Type of seal (cable)	Individual wire seal
		Type of locking (plug)	With plastic lug
		Vibration resistance	25 g
		Dimensions (L x W x H)	37.40 x 11.50 x 7.10 mm
		Temperature range, min./max.	-40 / 150 °C
		Contact spacing	5 mm
		Row spacing	2.80 mm
		Applications	Engine attachment
		Degree of protection	IPX4K, IPX9K
Product information			
Product code	VAFK		
Designation	General connection systems, external customers		
Part number	1 928 404 890		
Quotation drawing (component)	1 928 A00 257		

Low-way plug-in connections

Compact 1.1m (4..7-way)

General information

Illustration



Features

- ▶ BDK contact (advanced version of BSK contact)
- ▶ Fitted with shield
- ▶ Sealed plug-in connection
- ▶ No. of contacts 4...7
- ▶ Individual wire seal
- ▶ Less space required

Technical description

The compact connector Compact 1.1m is used for the connection of such automotive electronic assemblies as sensors and actuators.

The plug-in connection has a radial seal and has individual wire seals for the wiring.

The plug-in connection is suitable for engine-compartment installation and for engine-mounted components. This connector is also fitted with a shield in the area of the radial seal. The compact connector is connected (disconnected) directly and locked by a plastic lug.

Technical features

- ▶ Vibration resistance: 20...30 g (depending on number of poles)
- ▶ Temperature range: -40...+150° C (contact with gold-plated surface)
- ▶ Degree of protection: IP X4K, X6K, X9K
- ▶ Connection cross-sections: 0.5...2.5 mm²
- ▶ Suitable contacts: BDK 2.8 (advanced version of BSK 2.8) with individual wire seal
- ▶ Contact spacing/posts: 5 mm/2.8 mm

All currently applicable quotation drawings and technical customer documentation for the Compact 1.1m (4..7-way) product category can be found in the internet under www.bosch-connectors.com.

4-way end clip

Illustration



Product information

Product code	VNP-KOMP1-4//7P
Designation	Compact connector 1
Part number	1 928 403 424
Quotation drawing (component)	1 928 A00 257


Technical data

No. of poles	4
Color (FA)	Black
Secondary lock	None
Type of seal (plug)	Radial seal
Type of seal (cable)	Individual wire seal
Type of locking (plug)	With plastic lug
Vibration resistance	25 g
Dimensions (L x W x H)	11.50 x 7.10 x 27.40 mm
Temperature range, min./max.	-40 / 150 °C
Contact spacing	5 mm
Row spacing	2.80 mm
Applications	Bodywork attachment
Degree of protection	IPX4K, IPX9K


Low-way plug-in connections

Compact 1.1m (4..7-way)


5-way end clip

Illustration		Technical data	
		No. of poles	5
		Color (FA)	Black
Product information		Secondary lock	None
		Type of seal (plug)	Radial seal
		Type of seal (cable)	Individual wire seal
		Type of locking (plug)	With slide
		Vibration resistance	24 g
		Dimensions (L x W x H)	11.50 x 7.10 x 32.40 mm
		Temperature range, min./max.	-40 / 150 °C
		Contact spacing	5 mm
		Row spacing	2.80 mm
		Applications	Bodywork attachment
Quotation drawing (component)	1 928 A00 257	Degree of protection	IPX4K, IPX9K

6-way end clip

Illustration		Technical data	
		No. of poles	6
		Color (FA)	Black
Product information		Secondary lock	None
		Type of seal (plug)	Radial seal
		Type of seal (cable)	Individual wire seal
		Type of locking (plug)	With plastic lug
		Vibration resistance	25 g
		Dimensions (L x W x H)	11.50 x 7.10 x 37.40 mm
		Temperature range, min./max.	-40 / 150 °C
		Contact spacing	5 mm
		Row spacing	2.80 mm
		Applications	Bodywork attachment
Quotation drawing (component)	1 928 A00 257	Degree of protection	IPX4K, IPX9K

7-way end clip

Illustration		Technical data	
		No. of poles	7
		Color (FA)	Black
Product information		Secondary lock	None
		Type of seal (plug)	Radial seal
		Type of seal (cable)	Individual wire seal
		Type of locking (plug)	With plastic lug
		Vibration resistance	25 g
		Dimensions (L x W x H)	42.40 x 11.50 x 7.10 mm
		Temperature range, min./max.	-40 / 150 °C
		Contact spacing	5 mm
		Row spacing	2.80 mm
		Applications	Bodywork attachment
Quotation drawing (component)	1 928 A00 257	Degree of protection	IPX4K, IPX9K

Low-way plug-in connections

Compact 1.1m (4..7-way)

6-way end clip with grooved tubular connection

Illustration



Product information

Product code	VNP-KOMP1-4//7P
Designation	Compact connector 1
Part number	1 928 403 432
Quotation drawing (component)	1 928 A00 257

Technical data

No. of poles	6
Color (FA)	Black
Secondary lock	None
Type of seal (plug)	Radial seal
Type of seal (cable)	Individual wire seal
Type of locking (plug)	With plastic lug
Vibration resistance	25 g
Dimensions (L x W x H)	26.10 x 37.40 x 29.20 mm
Temperature range, min./max.	-40 / 150 °C
Contact spacing	5 mm
Row spacing	2.80 mm
Applications	Bodywork attachment
Degree of protection	IPX4K, IPX9K

Compact connector 1.1m; 4-way

Illustration



Product information

Product code	VNP-KOMP1-4//7P
Designation	Compact connector 1.1m
Part number	1 928 403 736
Quotation drawing (component)	A 928 000 453

Technical data

No. of poles	4
Color (FA)	Black
Encoding	1
Secondary lock	None
Type of contact	BDK 2.8
Type of seal (plug)	Radial seal
Type of seal (cable)	Individual wire seal
Type of locking (plug)	With plastic lug
Vibration resistance	20 g
Dimensions (L x W x H)	36.00 x 22.80 x 30.40 mm
Temperature range, min./max.	-40 / 150 °C
Contact spacing	5 mm
Row spacing	1.00 mm
Applications	Engine attachment
Degree of protection	IPX 4K, 6K, 9K
Other features (SO)	Fitted with shield

Compact connector 1.1m; 5-way

Illustration



Product information

Product code	VNP-KOMP1-4//7P
Designation	Compact connector 1.1m
Part number	1 928 403 738
Quotation drawing (component)	A 928 000 453


Technical data

No. of poles	5
Color (FA)	Black
Encoding	1
Secondary lock	None
Type of contact	BDK 2.8
Type of seal (plug)	Radial seal
Type of seal (cable)	Individual wire seal
Type of locking (plug)	With plastic lug
Vibration resistance	20 g
Dimensions (L x W x H)	41.00 x 22.80 x 30.40 mm
Temperature range, min./max.	-40 / 150 °C
Contact spacing	5 mm
Row spacing	1.00 mm
Applications	Engine attachment
Degree of protection	IPX 4K, 6K, 9K
Other features (SO)	Fitted with shield


Low-way plug-in connections

Compact 1.1m (4..7-way)


Compact connector 1.1m; 6-way

Illustration		Technical data	
		No. of poles	6
		Color (FA)	Black
		Encoding	1
		Secondary lock	None
		Type of contact	BDK 2.8
		Type of seal (plug)	Radial seal
		Type of seal (cable)	Individual wire seal
		Type of locking (plug)	With plastic lug
		Vibration resistance	20 g
		Dimensions (L x W x H)	46.00 x 22.80 x 30.40 mm
		Temperature range, min./max.	-40 / 150 °C
		Contact spacing	5 mm
		Row spacing	1.00 mm
		Applications	Engine attachment
		Degree of protection	IPX 4K, 6K, 9K
		Other features (SO)	Fitted with shield
Product information			
Product code	VNP-KOMP1-4//7P		
Designation	Compact connector 1.1m		
Part number	1 928 403 740		
Quotation drawing (component)	A 928 000 453		

Compact connector 1.1m; 7-way

Illustration		Technical data	
		No. of poles	7
		Color (FA)	Black
		Encoding	1
		Secondary lock	None
		Type of contact	BSK 2.8
		Type of seal (plug)	Radial seal
		Type of seal (cable)	Individual wire seal
		Type of locking (plug)	With plastic lug
		Vibration resistance	20 g
		Dimensions (L x W x H)	51.00 x 22.80 x 30.40 mm
		Temperature range, min./max.	-40 / 150 °C
		Contact spacing	5 mm
		Row spacing	2.80 mm
		Applications	Bodywork attachment
		Degree of protection	IPX 4K, 6K, 9K
		Other features (SO)	Fitted with shield
Product information			
Product code	VNP-KOMP		
Designation	Compact connector		
Part number	1 928 403 742		
Quotation drawing (component)	A 928 000 453		


Compact connector 1.1m; 5-way

Illustration		Technical data	
		No. of poles	5
		Color (FA)	Black
		Encoding	5
		Secondary lock	None
		Type of contact	BDK 2.8
		Type of seal (plug)	Radial seal
		Type of seal (cable)	Individual wire seal
		Type of locking (plug)	With plastic lug
		Vibration resistance	20 g
		Dimensions (L x W x H)	41.00 x 22.80 x 30.40 mm
		Temperature range, min./max.	-40 / 150 °C
		Contact spacing	5 mm
		Row spacing	1.00 mm
		Applications	Engine attachment
		Degree of protection	IPX 4K, 6K, 9K
		Other features (SO)	Fitted with shield
Product information			
Product code	VNP-KOMP1-4//7P		
Designation	Compact connector 1.1m		
Part number	1 928 403 836		
Quotation drawing (component)	A 928 000 453		

Low-way plug-in connections


Compact 1.1m (4..7-way)

Compact connector 1.1m; 6-way

Illustration	
	
Product information	
Product code	VNP-KOMP1-4//7P
Designation	Compact connector 1.1m
Part number	1 928 404 525
Quotation drawing (component)	A 928 000 453


Technical data	
No. of poles	6
Color (FA)	blue
Encoding	1
Secondary lock	None
Type of contact	BDK 2.8
Type of seal (plug)	Radial seal
Type of seal (cable)	Individual wire seal
Type of locking (plug)	With plastic lug
Vibration resistance	20 g
Dimensions (L x W x H)	46.00 x 22.80 x 30.40 mm
Temperature range, min./max.	-40 / 150 °C
Contact spacing	5 mm
Row spacing	1.00 mm
Applications	Engine attachment
Degree of protection	IPX 4K, 6K, 9K
Other features (SO)	Fitted with shield

Compact connector 1.1m; 4-way

Illustration	
	
Product information	
Product code	VNP-KOMP1-4//7P
Designation	Compact connector 1.1m
Part number	1 928 404 658
Quotation drawing (component)	A 928 000 453

Technical data	
No. of poles	4
Color (FA)	Black
Encoding	1
Secondary lock	None
Type of contact	BSK 2.8
Type of seal (plug)	Radial seal
Type of seal (cable)	Individual wire seal
Type of locking (plug)	With plastic lug
Vibration resistance	20 g
Dimensions (L x W x H)	36.00 x 22.80 x 30.40 mm
Temperature range, min./max.	-40 / 150 °C
Contact spacing	5 mm
Row spacing	2.80 mm
Applications	Bodywork attachment
Degree of protection	IPX 4K,(6K),9K
Other features (SO)	Fitted with shield

2-way end clip


Illustration	
	
Product information	
Product code	VAFK
Designation	General connection systems, external customers
Part number	1 928 404 886
Quotation drawing (component)	1 928 A00 257

Technical data	
No. of poles	2
Color (FA)	Neutral
Secondary lock	None
Type of seal (plug)	Radial seal
Type of seal (cable)	Individual wire seal
Type of locking (plug)	With plastic lug
Vibration resistance	25 g
Dimensions (L x W x H)	11.50 x 7.10 x 17.40 mm
Temperature range, min./max.	-40 / 150 °C
Contact spacing	5 mm
Row spacing	2.80 mm
Applications	Bodywork attachment
Degree of protection	IPX4K,IPX9K


Low-way plug-in connections

Compact 1.1m (4..7-way)


4-way end clip

Illustration		Technical data	
		No. of poles	4
		Secondary lock	None
Product information		Type of seal (plug)	Radial seal
		Type of seal (cable)	Individual wire seal
		Type of locking (plug)	With plastic lug
		Vibration resistance	25 g
		Dimensions (L x W x H)	27.40 x 11.50 x 7.10 mm
		Temperature range, min./max.	-40 / 150 °C
		Contact spacing	5 mm
		Row spacing	2.80 mm
		Applications	Engine attachment
		Quotation drawing (component)	1 928 A00 257
Product code	VAFK		
Designation	General connection systems, external customers		
Part number	1 928 404 888		

5-way end clip

Illustration		Technical data	
		No. of poles	5
		Color (FA)	Neutral
Product information		Secondary lock	None
		Type of seal (plug)	Radial seal
		Type of seal (cable)	Individual wire seal
		Type of locking (plug)	With plastic lug
		Vibration resistance	25 g
		Dimensions (L x W x H)	32.40 x 11.50 x 7.10 mm
		Temperature range, min./max.	-40 / 150 °C
		Contact spacing	5 mm
		Row spacing	2.80 mm
		Quotation drawing (component)	1 928 A00 257
Product code	VAFK	Degree of protection	IPX4K, IPX9K
Designation	General connection systems, external customers		
Part number	1 928 404 889		

6-way end clip

Illustration		Technical data	
		No. of poles	6
		Color (FA)	Black
Product information		Secondary lock	None
		Type of seal (plug)	Radial seal
		Type of seal (cable)	Individual wire seal
		Type of locking (plug)	With plastic lug
		Vibration resistance	25 g
		Dimensions (L x W x H)	37.40 x 11.50 x 7.10 mm
		Temperature range, min./max.	-40 / 150 °C
		Contact spacing	5 mm
		Row spacing	2.80 mm
		Quotation drawing (component)	1 928 A00 257
Product code	VAFK	Degree of protection	IPX4K, IPX9K
Designation	General connection systems, external customers		
Part number	1 928 404 890		

Low-way plug-in connections

Compact 1.1m (4..7-way)

Compact connector 1.1m

Illustration



Product information

Product code	VNP-KOMP1-4//7P
Designation	Compact connector 1.1m
Part number	1 928 404 993
Quotation drawing (component)	A 928 000 453

Technical data

No. of poles	4
Color (FA)	Gray
Encoding	2
Secondary lock	None
Type of contact	BSK 2.8
Type of seal (plug)	Radial seal
Type of seal (cable)	Individual wire seal
Type of locking (plug)	With plastic lug
Vibration resistance	20 g
Dimensions (L x W x H)	36.00 x 22.80 x 30.40 mm
Temperature range, min./max.	-40 / 150 °C
Contact spacing	5 mm
Row spacing	2.80 mm
Applications	Bodywork attachment
Degree of protection	IPX 4K,(6K),9K
Other features (SO)	Fitted with shield

Low-way plug-in connections

Compact 2+2.1 (2..5-way)

General information

Illustration



Features

- ▶ Locking slide
- ▶ Sealed plug-in connection
- ▶ No. of contacts
 - 2...5 (Compact 2)
 - 3 (Compact 2.1)
- ▶ Individual wire seal
- ▶ Less space required

Technical description

The compact connector Compact 2/Compact 2.1 is used for the connection of such automotive electronic assemblies as sensors and actuators.

The plug-in connection has a radial seal and has individual wire seals for the wiring.

The plug-in connection is suitable for engine-compartment installation and engine-mounted components. A slide is used for pull-in and locking. This is double-acting with the Compact 2-connector and single-acting with the Compact 2.1 connector.

Technical features

- ▶ Vibration resistance:
 - 24 g (Compact 2)
 - 4 g (Compact 2.1)
- ▶ Temperature range: -40...+150° C (contact with gold-plated surface)
- ▶ Degree of protection: IP X4K, IP X9K
- ▶ Connection cross-sections: 0.35...2.5 mm²
- ▶ Suitable contacts: JPT with individual wire seal
- ▶ Contact spacing/posts: 5 mm/2.8 mm

All currently applicable quotation drawings and technical customer documentation for the Compact 2+2.1 (2..5-way) product category can be found in the internet under www.bosch-connectors.com.

2-way end clip

Illustration



Product information

Product code	VNP-KOMP1-2/3P
Designation	Compact connector 1
Part number	1 928 403 422
Quotation drawing (component)	1 928 A00 257

Technical data

No. of poles	2
Color (FA)	Black
Secondary lock	None
Type of seal (plug)	Radial seal
Type of seal (cable)	Individual wire seal
Type of locking (plug)	With plastic lug
Vibration resistance	25 g
Dimensions (L x W x H)	11.50 x 7.10 x 17.40 mm
Temperature range, min./max.	-40 / 150 °C
Contact spacing	5 mm
Row spacing	2.80 mm
Applications	Bodywork attachment
Degree of protection	IPX4K, IPX9K

Low-way plug-in connections

Compact 2+2.1 (2..5-way)

3-way end clip

Illustration



Product information

Product code	VNP-KOMP1-2/3P
Designation	Compact connector 1
Part number	1 928 403 423
Quotation drawing (component)	1 928 A00 257

Technical data

No. of poles	3
Color (FA)	Black
Secondary lock	None
Type of seal (plug)	Radial seal
Type of seal (cable)	Individual wire seal
Type of locking (plug)	With plastic lug
Vibration resistance	25 g
Dimensions (L x W x H)	11.50 x 7.10 x 22.40 mm
Temperature range, min./max.	-40 / 150 °C
Contact spacing	5 mm
Row spacing	2.80 mm
Applications	Bodywork attachment
Degree of protection	IPX4K, IPX9K

4-way end clip

Illustration



Product information

Product code	VNP-KOMP1-4/7P
Designation	Compact connector 1
Part number	1 928 403 424
Quotation drawing (component)	1 928 A00 257

Technical data

No. of poles	4
Color (FA)	Black
Secondary lock	None
Type of seal (plug)	Radial seal
Type of seal (cable)	Individual wire seal
Type of locking (plug)	With plastic lug
Vibration resistance	25 g
Dimensions (L x W x H)	11.50 x 7.10 x 27.40 mm
Temperature range, min./max.	-40 / 150 °C
Contact spacing	5 mm
Row spacing	2.80 mm
Applications	Bodywork attachment
Degree of protection	IPX4K, IPX9K

5-way end clip

Illustration



Product information

Product code	VNP-KOMP2-4/7P
Designation	Compact connector 2
Part number	1 928 403 425
Quotation drawing (component)	1 928 A00 257

Technical data

No. of poles	5
Color (FA)	Black
Secondary lock	None
Type of seal (plug)	Radial seal
Type of seal (cable)	Individual wire seal
Type of locking (plug)	With slide
Vibration resistance	24 g
Dimensions (L x W x H)	11.50 x 7.10 x 32.40 mm
Temperature range, min./max.	-40 / 150 °C
Contact spacing	5 mm
Row spacing	2.80 mm
Applications	Bodywork attachment
Degree of protection	IPX4K, IPX9K

Low-way plug-in connections

Compact 2+2.1 (2..5-way)

5-way grooved tubular mount

Illustration



Product information

Product code	VNP-KOMP1-4//7P
Designation	Compact connector 2
Part number	1 928 403 431
Quotation drawing (component)	C 928 001 46A

Technical data

No. of poles	5
Color (FA)	Black
Secondary lock	None
Type of seal (plug)	Radial seal
Type of seal (cable)	Individual wire seal
Type of locking (plug)	With slide
Vibration resistance	24 g
Temperature range, min./max.	-40 / 150 °C
Contact spacing	5 mm
Row spacing	2.80 mm
Applications	Bodywork attachment
Degree of protection	IPX4K, IPX9K

Compact connector 2; 3-way

Illustration



Product information

Product code	VNP-KOMP2-2//3P
Designation	Compact connector 2
Part number	1 928 403 436
Quotation drawing (component)	A 928 000 300

Technical data

No. of poles	3
Encoding	1
Outgoing cable direction (KR)	Top
Secondary lock	None
Type of contact	JPT
Type of seal (plug)	Radial seal
Type of seal (cable)	Individual wire seal
Type of locking (plug)	With slide
Vibration resistance	24 g
Dimensions (L x W x H)	35.00 x 25.00 x 30.00 mm
Temperature range, min./max.	-40 / 150 °C
Contact spacing	5 mm
Row spacing	1.00 mm
Applications	Engine attachment
Degree of protection	IPX 4K, 9K
Other features (SO)	Slide on left, FA = black

Compact connector 2; 4-way

Illustration



Product information

Product code	VNP-KOMP2-4//7P
Designation	Compact connector 2
Part number	1 928 403 440
Quotation drawing (component)	A 928 000 300

Technical data

No. of poles	4
Color (FA)	Black
Encoding	1
Outgoing cable direction (KR)	Top
Secondary lock	None
Type of contact	JPT
Type of seal (plug)	Radial seal
Type of seal (cable)	Individual wire seal
Type of locking (plug)	With slide
Vibration resistance	24 g
Dimensions (L x W x H)	40.00 x 27.00 x 30.00 mm
Temperature range, min./max.	-40 / 150 °C
Contact spacing	5 mm
Row spacing	1.00 mm
Applications	Engine attachment
Degree of protection	IPX 4K, 9K
Other features (SO)	Slide on left

Low-way plug-in connections

Compact 2+2.1 (2..5-way)

Compact connector 2; 4-way

Illustration



Product information

Product code	VNP-KOMP2-4//7P
Designation	Compact connector 2
Part number	1 928 403 441
Quotation drawing (component)	A 928 000 300

Technical data

No. of poles	4
Color (FA)	Black
Encoding	1
Outgoing cable direction (KR)	Top
Secondary lock	None
Type of contact	JPT
Type of seal (plug)	Radial seal
Type of seal (cable)	Individual wire seal
Type of locking (plug)	With slide
Vibration resistance	24 g
Dimensions (L x W x H)	40.00 x 27.00 x 30.00 mm
Temperature range, min./max.	-40 / 150 °C
Contact spacing	5 mm
Row spacing	1.00 mm
Applications	Engine attachment
Degree of protection	IPX 4K, 9K
Other features (SO)	Slide on right

Compact connector 2.1; 3-way

Illustration



Product information

Product code	VNP-KOMP1-2//3P
Designation	Compact connector 2
Part number	1 928 403 809
Quotation drawing (component)	A 928 000 384

Technical data

No. of poles	3
Color (FA)	Black
Encoding	1
Outgoing cable direction (KR)	Top
Secondary lock	None
Type of contact	JPT
Type of seal (plug)	Radial seal
Type of seal (cable)	Individual wire seal
Type of locking (plug)	By slide
Vibration resistance	24 g
Dimensions (L x W x H)	35.00 x 21.00 x 30.00 mm
Temperature range, min./max.	-40 / 150 °C
Contact spacing	5 mm
Row spacing	1.00 mm
Applications	Engine attachment
Degree of protection	IPX 4K, 9K
Other features (SO)	Single-acting slide on left

Compact connector 2; 5-way

Illustration



Product information

Product code	VNP-KOMP2-4//7P
Designation	Compact connector 2
Part number	1 928 404 225
Quotation drawing (component)	A 928 000 300


Technical data

No. of poles	5
Color (FA)	Black
Encoding	5
Outgoing cable direction (KR)	Top
Secondary lock	None
Type of contact	JPT
Type of seal (plug)	Radial seal
Type of seal (cable)	Individual wire seal
Type of locking (plug)	By slide
Vibration resistance	24 g
Dimensions (L x W x H)	43.00 x 25.00 x 30.00 mm
Temperature range, min./max.	-40 / 150 °C
Contact spacing	5 mm
Row spacing	1.00 mm
Applications	Engine attachment
Degree of protection	IPX 4K, 9K
Other features (SO)	Slide on left


Low-way plug-in connections

Compact 2+2.1 (2..5-way)


2-way end clip

Illustration		Technical data	
		No. of poles	2
		Color (FA)	Neutral
Product information		Secondary lock	None
		Type of seal (plug)	Radial seal
		Type of seal (cable)	Individual wire seal
		Type of locking (plug)	With plastic lug
		Vibration resistance	25 g
		Dimensions (L x W x H)	11.50 x 7.10 x 17.40 mm
		Temperature range, min./max.	-40 / 150 °C
		Contact spacing	5 mm
		Row spacing	2.80 mm
		Applications	Bodywork attachment
Quotation drawing (component)	1 928 A00 257	Degree of protection	IPX4K, IPX9K

3-way end clip

Illustration		Technical data	
		No. of poles	3
		Color (FA)	Neutral
Product information		Secondary lock	None
		Type of seal (plug)	Radial seal
		Type of seal (cable)	Individual wire seal
		Type of locking (plug)	With plastic lug
		Vibration resistance	25 g
		Dimensions (L x W x H)	11.50 x 7.10 x 22.40 mm
		Temperature range, min./max.	-40 / 150 °C
		Contact spacing	5 mm
		Row spacing	2.80 mm
		Quotation drawing (component)	1 928 A00 257

4-way end clip

Illustration		Technical data	
		No. of poles	4
		Secondary lock	None
Product information		Type of seal (plug)	Radial seal
		Type of seal (cable)	Individual wire seal
		Type of locking (plug)	With plastic lug
		Vibration resistance	25 g
		Dimensions (L x W x H)	27.40 x 11.50 x 7.10 mm
		Temperature range, min./max.	-40 / 150 °C
		Contact spacing	5 mm
		Row spacing	2.80 mm
		Applications	Engine attachment
		Quotation drawing (component)	1 928 A00 257

Low-way plug-in connections

Compact 2+2.1 (2..5-way)

5-way end clip

Illustration



Product information

Product code	VAFK
Designation	General connection systems, external customers
Part number	1 928 404 889
Quotation drawing (component)	1 928 A00 257

Technical data

No. of poles	5
Color (FA)	Neutral
Secondary lock	None
Type of seal (plug)	Radial seal
Type of seal (cable)	Individual wire seal
Type of locking (plug)	With plastic lug
Vibration resistance	25 g
Dimensions (L x W x H)	32.40 x 11.50 x 7.10 mm
Temperature range, min./max.	-40 / 150 °C
Contact spacing	5 mm
Row spacing	2.80 mm
Applications	Engine attachment
Degree of protection	IPX4K, IPX9K

Low-way plug-in connections

Compact 3 (2..6-way)

General information

Illustration



Features

- ▶ Check slide (CPA)
- ▶ Sealed plug-in connection
- ▶ No. of contacts 2...5
- ▶ Individual wire seal
- ▶ Secondary lock

Technical description

The compact connector Compact 3 is used for the connection of such automotive electronic assemblies as sensors and actuators. The plug-in connection has a radial seal and has individual wire seals for the wiring.

The plug-in connection is suitable for engine-compartment installation and for engine-mounted components. For greater contact reliability, the connector features a secondary lock. The compact connector is connected (disconnected) directly. Proper connection of the plug to the interface can be checked using the slide (CPA). The slide can only be locked if the connector has been fitted correctly.

Technical features

- ▶ Vibration resistance: 20...30 g (depending on number of poles)
- ▶ Temperature range: -40...+150° C (contact with gold-plated surface)
- ▶ Degree of protection: IP X4K, X6K, X9K
- ▶ Connection cross-sections: 0.5...2.5 mm²
- ▶ Suitable contacts: BDK 2.8 (advanced version of BSK 2.8) with individual wire seal
- ▶ Contact spacing/posts: 5 mm/2.8 mm

All currently applicable quotation drawings and technical customer documentation for the Compact 3 (2..6-way) product category can be found in the internet under www.bosch-connectors.com.

2-way end clip

Illustration



Product information

Product code	VNP-KOMP1-2/3P
Designation	Compact connector 1
Part number	1 928 403 422
Quotation drawing (component)	1 928 A00 257

Technical data

No. of poles	2
Color (FA)	Black
Secondary lock	None
Type of seal (plug)	Radial seal
Type of seal (cable)	Individual wire seal
Type of locking (plug)	With plastic lug
Vibration resistance	25 g
Dimensions (L x W x H)	11.50 x 7.10 x 17.40 mm
Temperature range, min./max.	-40 / 150 °C
Contact spacing	5 mm
Row spacing	2.80 mm
Applications	Bodywork attachment
Degree of protection	IPX4K, IPX9K

Low-way plug-in connections

Compact 3 (2..6-way)

3-way end clip

Illustration



Product information

Product code	VNP-KOMP1-2/3P
Designation	Compact connector 1
Part number	1 928 403 423
Quotation drawing (component)	1 928 A00 257

Technical data

No. of poles	3
Color (FA)	Black
Secondary lock	None
Type of seal (plug)	Radial seal
Type of seal (cable)	Individual wire seal
Type of locking (plug)	With plastic lug
Vibration resistance	25 g
Dimensions (L x W x H)	11.50 x 7.10 x 22.40 mm
Temperature range, min./max.	-40 / 150 °C
Contact spacing	5 mm
Row spacing	2.80 mm
Applications	Bodywork attachment
Degree of protection	IPX4K, IPX9K

4-way end clip

Illustration



Product information

Product code	VNP-KOMP1-4/7P
Designation	Compact connector 1
Part number	1 928 403 424
Quotation drawing (component)	1 928 A00 257

Technical data

No. of poles	4
Color (FA)	Black
Secondary lock	None
Type of seal (plug)	Radial seal
Type of seal (cable)	Individual wire seal
Type of locking (plug)	With plastic lug
Vibration resistance	25 g
Dimensions (L x W x H)	11.50 x 7.10 x 27.40 mm
Temperature range, min./max.	-40 / 150 °C
Contact spacing	5 mm
Row spacing	2.80 mm
Applications	Bodywork attachment
Degree of protection	IPX4K, IPX9K

5-way end clip

Illustration



Product information

Product code	VNP-KOMP2-4/7P
Designation	Compact connector 2
Part number	1 928 403 425
Quotation drawing (component)	1 928 A00 257


Technical data

No. of poles	5
Color (FA)	Black
Secondary lock	None
Type of seal (plug)	Radial seal
Type of seal (cable)	Individual wire seal
Type of locking (plug)	With slide
Vibration resistance	24 g
Dimensions (L x W x H)	11.50 x 7.10 x 32.40 mm
Temperature range, min./max.	-40 / 150 °C
Contact spacing	5 mm
Row spacing	2.80 mm
Applications	Bodywork attachment
Degree of protection	IPX4K, IPX9K


Low-way plug-in connections

Compact 3 (2..6-way)


6-way end clip

Illustration		Technical data	
		No. of poles	6
		Color (FA)	Black
Product information		Secondary lock	None
		Type of seal (plug)	Radial seal
		Type of seal (cable)	Individual wire seal
		Type of locking (plug)	With plastic lug
		Vibration resistance	25 g
		Dimensions (L x W x H)	11.50 x 7.10 x 37.40 mm
		Temperature range, min./max.	-40 / 150 °C
		Contact spacing	5 mm
		Row spacing	2.80 mm
		Applications	Bodywork attachment
Quotation drawing (component)	1 928 A00 257	Degree of protection	IPX4K, IPX9K

6-way end clip with grooved tubular connection

Illustration		Technical data	
		No. of poles	6
		Color (FA)	Black
Product information		Secondary lock	None
		Type of seal (plug)	Radial seal
		Type of seal (cable)	Individual wire seal
		Type of locking (plug)	With plastic lug
		Vibration resistance	25 g
		Dimensions (L x W x H)	26.10 x 37.40 x 29.20 mm
		Temperature range, min./max.	-40 / 150 °C
		Contact spacing	5 mm
		Row spacing	2.80 mm
		Applications	Bodywork attachment
Quotation drawing (component)	1 928 A00 257	Degree of protection	IPX4K, IPX9K

Compact connector 3; 5-way

Illustration		Technical data	
		No. of poles	5
		Color (FA)	Black, CPA = yellow
Product information		Encoding	1
		Secondary lock	Sliding pin
		Type of contact	BDK 2.8
		Type of seal (plug)	Radial seal
		Type of seal (cable)	Individual wire seal
		Type of locking (plug)	With check slide
		Vibration resistance	20 g
		Dimensions (L x W x H)	46.60 x 22.60 x 31.50 mm
		Temperature range, min./max.	-40 / 150 °C
		Contact spacing	5 mm
		Row spacing	1.00 mm
		Applications	Engine attachment
		Quotation drawing (component)	A 928 000 351
		Other features (SO)	Molded shield

Low-way plug-in connections

Compact 3 (2..6-way)

Compact connector 3; 4-way

Illustration



Product information

Product code	VNP-KOMP3-4//7P
Designation	Compact connector 3
Part number	1 928 404 160
Quotation drawing (component)	A 928 000 351

Technical data

No. of poles	4
Color (FA)	Black, CPA = yellow
Encoding	1
Secondary lock	Sliding pin
Type of contact	BDK 2.8
Type of seal (plug)	Radial seal
Type of seal (cable)	Individual wire seal
Type of locking (plug)	By check slide
Vibration resistance	20 g
Dimensions (L x W x H)	41.60 x 22.60 x 31.50 mm
Temperature range, min./max.	-40 / 150 °C
Contact spacing	5 mm
Row spacing	1.00 mm
Applications	Engine attachment
Degree of protection	IPX 4K, 6K, 9K
Other features (SO)	Molded shield

Compact connector 3; 3-way

Illustration



Product information

Product code	VNP-KOMP3-2/3P
Designation	Compact connector 3
Part number	1 928 404 163
Quotation drawing (component)	A 928 000 351

Technical data

No. of poles	3
Color (FA)	Black, CPA = yellow
Encoding	1
Secondary lock	Sliding pin
Type of contact	BDK 2.8
Type of seal (plug)	Radial seal
Type of seal (cable)	Individual wire seal
Type of locking (plug)	By check lever
Vibration resistance	20 g
Dimensions (L x W x H)	36.50 x 20.60 x 31.50 mm
Temperature range, min./max.	-40 / 150 °C
Contact spacing	5 mm
Row spacing	1.00 mm
Applications	Engine attachment
Degree of protection	IPX 4K, 6K, 9K
Other features (SO)	Molded shield

Compact connector 3; 2-way

Illustration



Product information

Product code	VNP-KOMP3-2/3P
Designation	Compact connector 3
Part number	1 928 404 166
Quotation drawing (component)	A 928 000 351


Technical data

No. of poles	2
Color (FA)	Black, CPA = yellow
Encoding	1
Secondary lock	Sliding pin
Type of contact	BDK 2.8
Type of seal (plug)	Radial seal
Type of seal (cable)	Individual wire seal
Type of locking (plug)	By check slide
Vibration resistance	20 g
Dimensions (L x W x H)	31.50 x 20.60 x 31.50 mm
Temperature range, min./max.	-40 / 150 °C
Contact spacing	5 mm
Row spacing	1.00 mm
Applications	Engine attachment
Degree of protection	IPX 4K, 6K, 9K
Other features (SO)	Molded shield


Low-way plug-in connections

Compact 3 (2..6-way)


Compact connector 3; 3-way

Illustration		Technical data	
		No. of poles	3
		Color (FA)	Black, CPA = yellow
Product information		Encoding	2
		Secondary lock	Sliding pin
Product code	VNP-KOMP3-2/3P	Type of contact	BDK 2.8
Designation	Compact connector 3	Type of seal (plug)	Radial seal
Part number	1 928 404 368	Type of seal (cable)	Individual wire seal
Quotation drawing (component)	A 928 000 351	Type of locking (plug)	With check slide
		Vibration resistance	20 g
		Dimensions (L x W x H)	36.50 x 20.60 x 31.50 mm
		Temperature range, min./max.	-40 / 150 °C
		Contact spacing	5 mm
		Row spacing	1.00 mm
		Applications	Engine attachment
		Degree of protection	IPX 4K, 6K, 9K
		Other features (SO)	Molded shield

Compact connector 3; 2-way

Illustration		Technical data	
		No. of poles	2
		Color (FA)	Brown, CPA = yellow
Product information		Encoding	1
		Secondary lock	Sliding pin
Product code	VNP-KOMP3-2/3P	Type of contact	BDK 2.8
Designation	Compact connector 3	Type of seal (plug)	Radial seal
Part number	1 928 404 570	Type of seal (cable)	Individual wire seal
Quotation drawing (component)	A 928 000 351	Type of locking (plug)	With check slide
		Vibration resistance	20 g
		Dimensions (L x W x H)	31.50 x 20.60 x 31.50 mm
		Temperature range, min./max.	-40 / 150 °C
		Contact spacing	5 mm
		Row spacing	1.00 mm
		Applications	Engine attachment
		Degree of protection	IPX 4K, 6K, 9K
		Other features (SO)	Molded shield

Compact connector 3; 2-way

Illustration		Technical data	
		No. of poles	2
		Color (FA)	White, CPA = yellow
Product information		Encoding	2
		Secondary lock	Sliding pin
Product code	VNP-KOMP3-2/3P	Type of contact	BDK 2.8
Designation	Compact connector 3	Type of seal (plug)	Radial seal
Part number	1 928 404 571	Type of seal (cable)	Individual wire seal
Quotation drawing (component)	A 928 000 351	Type of locking (plug)	With check slide
		Vibration resistance	20 g
		Dimensions (L x W x H)	31.50 x 20.60 x 31.50 mm
		Temperature range, min./max.	-40 / 150 °C
		Contact spacing	5 mm
		Row spacing	1.00 mm
		Applications	Engine attachment
		Degree of protection	IPX 4K, 6K, 9K
		Other features (SO)	Molded shield

Low-way plug-in connections

Compact 3 (2..6-way)

Compact connector 3; 3-way

Illustration



Product information

Product code	VNP-KOMP3-2/3P
Designation	Compact connector 3
Part number	1 928 404 572
Quotation drawing (component)	A 928 000 351

Technical data

No. of poles	3
Color (FA)	blue, CPA = yellow
Encoding	1
Secondary lock	Sliding pin
Type of contact	BDK 2.8
Type of seal (plug)	Radial seal
Type of seal (cable)	Individual wire seal
Type of locking (plug)	With check slide
Vibration resistance	20 g
Dimensions (L x W x H)	36.50 x 20.60 x 31.50 mm
Temperature range, min./max.	-40 / 150 °C
Contact spacing	5 mm
Row spacing	1.00 mm
Applications	Engine attachment
Degree of protection	IPX 4K, 6K, 9K
Other features (SO)	Molded shield

Compact connector 3; 5-way (no CPA)

Illustration



Product information

Product code	VNP-KOMP3-4/7P
Designation	Compact connector 3
Part number	1 928 404 641
Quotation drawing (component)	A 928 000 351

Technical data

No. of poles	5
Color (FA)	Black
Encoding	1
Secondary lock	Sliding pin
Type of contact	BDK 2.8
Type of seal (plug)	Radial seal
Type of seal (cable)	Individual wire seal
Vibration resistance	20 g
Dimensions (L x W x H)	46.60 x 22.60 x 31.50 mm
Temperature range, min./max.	-40 / 150 °C
Contact spacing	5 mm
Row spacing	1.00 mm
Applications	Engine attachment
Degree of protection	IPX 4K, 6K, 9K
Comments	Special version; without CPA for Bosch HFM5 use only, not released for any other applications

Compact connector 3; 6-way

Illustration



Product information

Product code	VNP-KOMP3-4/7P
Designation	Compact connector 3
Part number	1 928 404 648
Quotation drawing (component)	A 928 000 351

Technical data

No. of poles	6
Color (FA)	Black, CPA = yellow
Type of contact	BDK 2.8
Type of seal (plug)	Radial seal
Type of seal (cable)	Individual wire seal
Type of locking (plug)	With check slide
Vibration resistance	20 g
Temperature range, min./max.	-40 / 150 °C
Contact spacing	5 mm
Row spacing	2.80 mm
Applications	Engine attachment
Degree of protection	IP X 4,6,9K

Low-way plug-in connections

Compact 3 (2..6-way)

2-way end clip

Illustration



Product information

Product code	VAFK
Designation	General connection systems, external customers
Part number	1 928 404 886
Quotation drawing (component)	1 928 A00 257

Technical data

No. of poles	2
Color (FA)	Neutral
Secondary lock	None
Type of seal (plug)	Radial seal
Type of seal (cable)	Individual wire seal
Type of locking (plug)	With plastic lug
Vibration resistance	25 g
Dimensions (L x W x H)	11.50 x 7.10 x 17.40 mm
Temperature range, min./max.	-40 / 150 °C
Contact spacing	5 mm
Row spacing	2.80 mm
Applications	Bodywork attachment
Degree of protection	IPX4K, IPX9K

3-way end clip

Illustration



Product information

Product code	VAFK
Designation	General connection systems, external customers
Part number	1 928 404 887
Quotation drawing (component)	1 928 A00 257

Technical data

No. of poles	3
Color (FA)	Neutral
Secondary lock	None
Type of seal (plug)	Radial seal
Type of seal (cable)	Individual wire seal
Type of locking (plug)	With plastic lug
Vibration resistance	25 g
Dimensions (L x W x H)	11.50 x 7.10 x 22.40 mm
Temperature range, min./max.	-40 / 150 °C
Contact spacing	5 mm
Row spacing	2.80 mm
Degree of protection	IPX4K, IPX9K

4-way end clip

Illustration



Product information

Product code	VAFK
Designation	General connection systems, external customers
Part number	1 928 404 888
Quotation drawing (component)	1 928 A00 257

Technical data

No. of poles	4
Secondary lock	None
Type of seal (plug)	Radial seal
Type of seal (cable)	Individual wire seal
Type of locking (plug)	With plastic lug
Vibration resistance	25 g
Dimensions (L x W x H)	27.40 x 11.50 x 7.10 mm
Temperature range, min./max.	-40 / 150 °C
Contact spacing	5 mm
Row spacing	2.80 mm
Applications	Engine attachment
Degree of protection	IPX4K, IPX9K

Low-way plug-in connections

Compact 3 (2..6-way)

5-way end clip

Illustration



Product information

Product code	VAFK
Designation	General connection systems, external customers
Part number	1 928 404 889
Quotation drawing (component)	1 928 A00 257

Technical data

No. of poles	5
Color (FA)	Neutral
Secondary lock	None
Type of seal (plug)	Radial seal
Type of seal (cable)	Individual wire seal
Type of locking (plug)	With plastic lug
Vibration resistance	25 g
Dimensions (L x W x H)	32.40 x 11.50 x 7.10 mm
Temperature range, min./max.	-40 / 150 °C
Contact spacing	5 mm
Row spacing	2.80 mm
Applications	Engine attachment
Degree of protection	IPX4K, IPX9K

6-way end clip

Illustration



Product information

Product code	VAFK
Designation	General connection systems, external customers
Part number	1 928 404 890
Quotation drawing (component)	1 928 A00 257

Technical data

No. of poles	6
Color (FA)	Black
Secondary lock	None
Type of seal (plug)	Radial seal
Type of seal (cable)	Individual wire seal
Type of locking (plug)	With plastic lug
Vibration resistance	25 g
Dimensions (L x W x H)	37.40 x 11.50 x 7.10 mm
Temperature range, min./max.	-40 / 150 °C
Contact spacing	5 mm
Row spacing	2.80 mm
Applications	Engine attachment
Degree of protection	IPX4K, IPX9K

Low-way plug-in connections

Compact coupler plugs

General information

Illustration



Features

- ▶ Coupling for compact connector
- ▶ Sealed design
- ▶ Four encoding options
- ▶ 2.8 mm flat blade can be fitted
- ▶ Mount for vehicle attachment

Technical description

The coupler plug is used as a break connector.

The corresponding female plug is the compact connector. The plug-in connection has a radial seal at the compact connector. An individual wire sealing system is used for the wiring. The coupler plug is suitable for engine-compartment installation and engine attachment. It can be secured in position on the vehicle by means of a plastic or metal holder.

Technical features

- ▶ Vibration resistance: 20 g
- ▶ Temperature range: -40°C...+150° C (contact with gold-plated surface)
- ▶ Degree of sealing: IP 54K, IP 69K
- ▶ Connection cross-sections: 0.35...1.0 mm²
- ▶ Suitable contacts: Flat blade 2.8 mm can be fitted
- ▶ Contact spacing: 5 mm

All currently applicable quotation drawings and technical customer documentation for the Compact coupler plug product category can be found in the internet under www.bosch-connectors.com.

Compact 4-way coupler plug

Illustration



Product information

Product code	VNP-KUPP-2//7P
Designation	Coupler plug
Part number	1 928 403 453
Quotation drawing (component)	A 928 000 291

Technical data

No. of poles	4
Color (FA)	Black
Encoding	1
Secondary lock	None
Type of contact	Tab 2.8
Type of seal (plug)	Radial seal
Type of seal (cable)	Individual wire seal
Type of locking (plug)	By plastic clips or metal holder
Vibration resistance	2 g
Dimensions (L x W x H)	33.50 x 19.60 x 46.90 mm
Temperature range, min./max.	-40 / 150 °C
Contact spacing	5 mm
Row spacing	1.00 mm
Applications	Bodywork attachment
Degree of protection	IPX 4K, 9K

Low-way plug-in connections

Compact coupler plugs

Compact 4-way coupler plug

Illustration



Product information

Product code	VNP-KUPP-2//7P
Designation	Coupler plug
Part number	1 928 404 635
Quotation drawing (component)	A 928 000 291

Technical data

No. of poles	4
Color (FA)	Gray
Encoding	2
Type of seal (plug)	Radial seal
Type of seal (cable)	Individual wire seal
Type of locking (plug)	By plastic clips or metal holder
Vibration resistance	2 g
Temperature range, min./max.	-40 / 150 °C
Contact spacing	5 mm
Applications	Bodywork attachment
Degree of protection	IP X 4,6,9 K

Compact 2-way coupler plug

Illustration



Product information

Product code	VNP-KUPP-2//7P
Designation	Coupler plug
Part number	1 928 404 706
Quotation drawing (component)	1 928 A00 046

Technical data

No. of poles	2
Color (FA)	Neutral
Encoding	3
Type of seal (plug)	Radial seal
Type of seal (cable)	Individual wire seal
Type of locking (plug)	With a plastic or metal lever
Vibration resistance	20 g
Temperature range, min./max.	-40 / 150 °C
Contact spacing	5 mm
Applications	Engine attachment
Degree of protection	IP54K, IP69K

Low-way plug-in connections

Coupler plugs

2-way coupler plug, parts set

Illustration	
	
Product information	
Product code	VAFK
Designation	Coupler plug
Part number	0 281 002 050
Quotation drawing (component)	D 281 010 809


Technical data	
No. of poles	2
Type of seal (plug)	Radial seal
Type of seal (cable)	Individual wire seal
Type of locking (plug)	By a plastic or metal holder
Vibration resistance	20 g
Temperature range, min./max.	-40 / 150 °C
Contact spacing	5 mm
Applications	Engine attachment
Degree of protection	IP 54K, 69K

3-way coupler plug, parts set

Illustration	
	
Product information	
Product code	VAFK
Designation	Coupler plug
Part number	0 281 002 051
Quotation drawing (component)	D 281 010 809

Technical data	
No. of poles	3
Type of seal (plug)	Radial seal
Type of seal (cable)	Individual wire seal
Type of locking (plug)	With a plastic or metal holder
Vibration resistance	20 g
Temperature range, min./max.	-40 / 150 °C
Contact spacing	5 mm
Applications	Engine attachment
Degree of protection	IP 54K, 69K

7-way coupler plug, parts set

Illustration	
	
Product information	
Product code	VAFK
Designation	General connection systems, external customers
Part number	0 281 002 052
Quotation drawing (component)	D 281 010 810A

Technical data	
Type of seal (plug)	Axial seal
Type of seal (cable)	Sealing plate
Type of locking (plug)	Union nut
Vibration resistance	20 g
Temperature range, min./max.	-40 / 140 °C
Contact spacing	5 mm

Low-way plug-in connections

Coupler plugs

7-way coupler plug, parts set

Illustration



Product information

Product code	VAFK
Designation	Coupler plug
Part number	0 281 002 133
Quotation drawing (component)	D 281 011 002

Technical data

Type of seal (plug)	Radial seal
Type of seal (cable)	Individual wire seal
Type of locking (plug)	By a plastic or metal holder
Vibration resistance	20 g
Temperature range, min./max.	-40 / 150 °C
Contact spacing	5 mm
Applications	Bodywork attachment

3-way coupler plug, parts set

Illustration



Product information

Product code	VAFK
Designation	Coupler plug
Part number	0 928 400 343
Quotation drawing (component)	A 928 000 274

Technical data

No. of poles	3
Type of seal (plug)	Radial seal
Type of seal (cable)	Individual wire seal
Type of locking (plug)	With a plastic or metal lever
Vibration resistance	20 g
Temperature range, min./max.	-40 / 150 °C
Contact spacing	5 mm
Applications	Engine attachment
Degree of protection	IP 54K, 69K

4 mm jack

Illustration



Product information

Product code	KONT
Designation	Contact
Part number	1 284 485 210
Quotation drawing	C 281 010 497; C 281 010 641

Technical data

Contact surface	Silver-plated
-----------------	---------------

Low-way plug-in connections

Coupler plugs

4 mm jack

Illustration



Product information

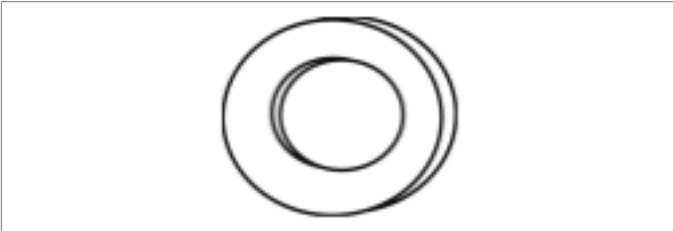
Product code	KONT
Designation	Contact
Part number	1 284 485 212
Quotation drawing	C 281 010 497; C 281 010 643

Technical data

Contact surface	Silver-plated
-----------------	---------------

O-ring

Illustration



Product information

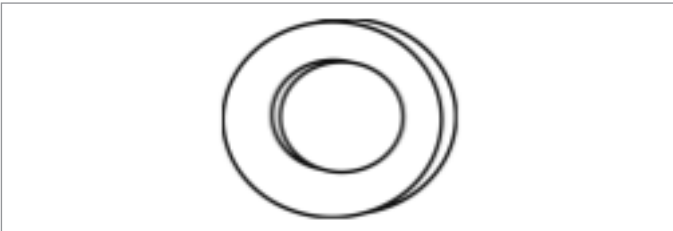
Product code	VDI-DI
Designation	Seal
Part number	1 928 300 276
Quotation drawing (assembly)	D 281 010 809
Quotation drawing (component)	C 281 010 789

Technical data

Secondary lock	None
----------------	------

O-ring

Illustration



Product information

Product code	KAFK
Designation	General connection systems, external customers
Part number	1 928 300 277
Quotation drawing (assembly)	D 281 010 810
Quotation drawing (component)	C 281 010 788

Technical data

Secondary lock	None
----------------	------

Low-way plug-in connections

Coupler plugs

Pressure nut for 2/3/7-way HD

Illustration



Product information

Product code	VAFK
Designation	General connection systems, external customers
Part number	1 928 401 346
Quotation drawing (component)	C 281 010 161

Technical data

Secondary lock	None
Dimensions (L x W x H)	19.50 x 26.20 x 25.00 mm

Connector housing

Illustration



Product information

Product code	VAFK
Designation	General connection systems, external customers
Part number	1 928 401 646
Quotation drawing (component)	C 281 010 951

Technical data

Connector housing

Illustration



Product information


Product code	VAFK
Designation	General connection systems, external customers
Part number	1 928 401 647
Quotation drawing (assembly)	D 281 010 810
Quotation drawing (component)	C 281 010 946

Technical data

Low-way plug-in connections


Coupler plugs

7-way connector housing

Illustration	
	
Product information	
Product code	VAFK
Designation	General connection systems, external customers
Part number	1 928 403 347
Quotation drawing (component)	C 928 001 43A


Technical data	
Secondary lock	None

2/3-way connector housing

Illustration	
	
Product information	
Product code	VAFK
Designation	General connection systems, external customers
Part number	1 928 403 348
Quotation drawing (component)	C 928 001 42A

Technical data	
Secondary lock	None

2-way coupler plug, parts set

Illustration	
	
Product information	
Product code	VAFK
Designation	Coupler plug
Part number	1 928 498 616
Quotation drawing (component)	1 928 A00 399

Technical data	
No. of poles	2
Type of seal (plug)	Radial seal
Type of seal (cable)	Individual wire seal
Type of locking (plug)	By a plastic or metal holder
Vibration resistance	20 g
Temperature range, min./max.	-40 / 150 °C
Contact spacing	5 mm
Applications	Engine attachment
Degree of protection	IP 54K, 69K

Low-way plug-in connections

7-way plug-in connection (LWS)

General information

Illustration



Features

- ▶ Not sealed
- ▶ Secondary locking possible

Technical description

The 7-way plug-in connection is used for sensor connection in motor vehicles.

The plug-in connector is locked on both end faces. It is also available with a locking mechanism on the long side (locking pin).

Technical features

- ▶ Vibration resistance: 2 g
- ▶ Temperature range: -40° C...+105° C
- ▶ Degree of protection: IP 30
- ▶ Connection cross-sections: 0.35...0.75 mm²
- ▶ Suitable contacts: BMK 0.6
- ▶ Contact spacing/posts: 3 mm/0.63 mm

All currently applicable quotation drawings and technical customer documentation for the 7-way plug-in connection (LWS) product category can be found in the internet under www.bosch-connectors.com.

7-way plug

Illustration



Product information

Product code	VAFK
Designation	General connection systems, external customers
Part number	1 928 404 025
Quotation drawing (component)	A 928 000 480


Technical data

No. of poles	7
Color (FA)	Black
Encoding	0
Outgoing cable direction (KR)	Top
Secondary lock	Sliding pin
Type of contact	BMK 0.6
Dimensions (L x W x H)	27.00 x 14.00 x 26.00 mm
Row spacing	2.00 mm
Degree of protection	IP30
Other features (SO)	Not sealed

Low-way plug-in connections

7-way plug-in connection (LWS)

7-way plug

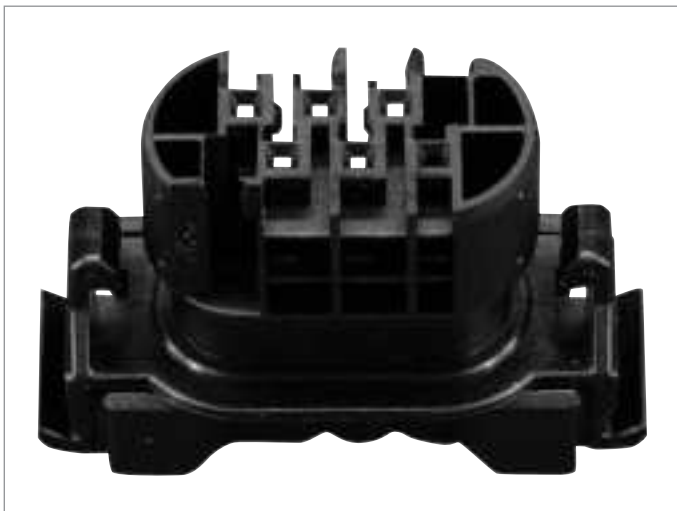
Illustration		Technical data	
		No. of poles	7
		Color (FA)	Black
		Encoding	0
		Outgoing cable direction (KR)	Top
		Secondary lock	Sliding pin
		Type of contact	BMK 0.6
		Vibration resistance	2 g
		Dimensions (L x W x H)	32.00 x 14.00 x 26.00 mm
		Temperature range, min./max.	-40 / 105 °C
		Applications	Bodywork attachment
		Degree of protection	IP30
		Other features (SO)	Non-sealed, locking hook on side
Product information			
Product code		VAFK	
Designation	General connection systems, external customers		
Part number	1 928 404 337		
Quotation drawing (component)	A 928 000 591		

Low-way plug-in connections

6-way wiring-harness connectors

General information

Illustration



Features

- ▶ Sealed/non-sealed, secondary locking possible
- ▶ Temperature range: -40°C...+85°C, short-term 115°C (2 h)
- ▶ Degree of protection: IP 20, IP 54K
- ▶ Connection cross-sections: 0.35...0.75 mm²
- ▶ Suitable contacts: MQS 0.64 mm (Tyco)
- ▶ Contact spacing/posts: 4 mm/0.64 mm

Technical description

The 6-way plug-in connection is used for the connection of automotive electronic assemblies.

The plug-in connection has a plastic locking clip on both sides.

The following versions are available:

- Non-sealed/no secondary lock
- Non-sealed/with secondary lock
- Sealed/no secondary lock
- Sealed/with secondary lock

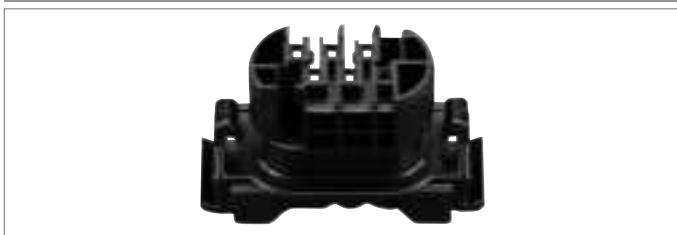
Technical features

- ▶ Temperature range: -40°C...+85° C, short-term 115° C (2 h)
- ▶ Degree of protection: IP 20/ IP 54 K
- ▶ Connection cross-sections: 0.35...0.75 mm²
- ▶ Suitable contacts: MQS 0.64 mm (Tyco)
- ▶ Contact spacing/posts: 4 mm/0.64 mm

All currently applicable quotation drawings and technical customer documentation for the 6-way wiring-harness connector product category can be found in the internet under www.bosch-connectors.com.

6-way wiring-harness connector

Illustration



Product information

Product code	VAFK
Designation	General connection systems, external customers
Part number	1 928 403 094
Quotation drawing (component)	A 928 000 374


Technical data

No. of poles	6
Color (FA)	Black
Encoding	5
Outgoing cable direction (KR)	Top
Secondary lock	None
Type of contact	MQS
Dimensions (L x W x H)	35.00 x 15.00 x 25.00 mm
Row spacing	2.00 mm
Degree of protection	IP 20


Low-way plug-in connections

6-way wiring-harness connectors

6-way wiring-harness connector

Illustration		Technical data	
		No. of poles	6
		Color (FA)	Black
		Encoding	5
		Outgoing cable direction (KR)	Top
		Secondary lock	Locking plate
		Type of contact	MQS
		Dimensions (L x W x H)	35.00 x 15.00 x 25.00 mm
		Row spacing	2.00 mm
		Degree of protection	IP 54K
		Other features (SO)	Secondary locking possible, with seal
Product information			
Product code	VAFK		
Designation	General connection systems, external customers		
Part number	1 928 403 095		
Quotation drawing (component)	A 928 000 374		

6-way wiring-harness connector

Illustration		Technical data	
		No. of poles	6
		Color (FA)	Black
		Encoding	5
		Outgoing cable direction (KR)	Top
		Secondary lock	Locking plate
		Type of contact	MQS
		Type of seal (plug)	Radial seal
		Type of seal (cable)	Individual wire seal
		Type of locking (plug)	With plastic lug
		Vibration resistance	25 g
		Dimensions (L x W x H)	35.00 x 15.00 x 25.00 mm
		Temperature range, min./max.	-40 / 150 °C
		Contact spacing	5 mm
		Row spacing	2.00 mm
		Applications	Bodywork attachment
		Degree of protection	IP 20
		Other features (SO)	Secondary locking possible
Product information			
Product code	VAFK		
Designation	General connection systems, external customers		
Part number	1 928 403 187		
Quotation drawing (component)	A 928 000 374		

Low-way plug-in connections

Sheathed-element glow-plug connectors

General information

Illustration



Features

- ▶ High contact surface pressure
- ▶ Open housing (non-sealed), no capillary action
- ▶ Simple locking by annular groove at sheathed-element glow plug (GSK)
- ▶ Also for use in confined spaces

Technical description

The 1-way plug-in connection is used for the connection of sheathed-element glow plugs (GSK) in motor vehicles. The fitting location is beneath the valve cover or in the engine compartment. The plug-in connection is locked by way of annular grooves at the sheathed-element glow plug (GSK).

Technical features

- ▶ Vibration resistance: 30 g
- ▶ Temperature range: -40° C...+140° C
- ▶ Connection cross-sections: 1.5 mm² and 2.5 mm²
- ▶ Suitable contacts: Jack 4.0 mm

All currently applicable quotation drawings and technical customer documentation for the sheathed-element glow-plug connector product category can be found in the internet under www.bosch-connectors.com.

Sheathed-element glow-plug connector

Illustration



Product information

Product code	VAFK
Designation	General connection systems, external customers
Part number	1 928 404 878
Quotation drawing (component)	A 928 000 665


Technical data

Color (FA)	Black
Type of contact	Jack 4.0 mm
Type of locking (plug)	Annular grooves at sheathed-element glow plug
Vibration resistance	30 g
Dimensions (L x W x H)	27.30 x 24.50 x 13.50 mm
Temperature range, min./max.	-40 / 140 °C
Applications	Engine attachment

Low-way plug-in connections

Sheathed-element glow-plug connectors

Sheathed-element glow-plug connector

Illustration		Technical data	
		Color (FA)	Black
		Type of contact	Jack 4.0 mm
		Type of locking (plug)	Annular grooves at sheathed-element glow plug
		Vibration resistance	30 g
		Dimensions (L x W x H)	27.30 x 24.50 x 13.50 mm
		Temperature range, min./max.	-40 / 140 °C
		Applications	Engine attachment
Product information			
Product code		VAFK	
Designation	General connection systems, external customers		
Part number	1 928 404 879		
Quotation drawing (component)	A 928 000 665		

High-way plug-in connections



Note

Bosch supplies a full range of connections for automotive electronic systems.

Special features of Bosch plug-in connections:

- Long service life
- Well-sealed against water, moisture and salt spray
- Thermally stable
- Vibration-resistant
- Designed for easy connection and integral assembly

The complete range of high-way plug-in connections is listed in the following section. The full product range can also be found in the internet under

www.bosch-connectors.com.

Product categories

Product categories	Page
▶ 25-way plug-in connection	98
▶ 26-way plug-in connection (GD)	101
▶ 31-way plug-in connection	105

Product categories

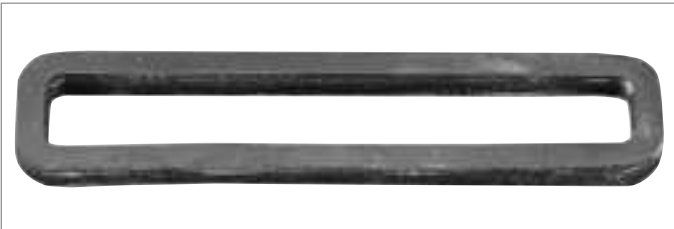
Product categories	Page
▶ 35-way plug-in connection	122
▶ 35-way plug-in connection with EAD	130
▶ 38-way plug-in connection	134
▶ 40-way plug-in connection	138
▶ 42-way plug-in connection	141
▶ 43-way plug-in connection	146
▶ 38/44-way plug-in connection	149
▶ 46-way plug-in connection (GD)	151
▶ 55-way plug-in connection	154
▶ 55/83-way plug-in connection	163
▶ 56-way plug-in connection	167
▶ 64-way plug-in connection	171
▶ 77-way plug-in connection	175
▶ 83-way plug-in connection	176
▶ 84-way plug-in connection	180
▶ 88-way plug-in connection	182
▶ 121-way plug-in connection	188
▶ 134-way plug-in connection	194
▶ 141-way plug-in connection	199
▶ 154-way plug-in connection	203

High-way plug-in connections

25-way plug-in connection

25-way seal

Illustration



Product information

Product code	VDI-DI
Designation	Seal
Part number	1 928 300 191
Quotation drawing (component)	C 280 208 196

Technical data

No. of poles	25
--------------	----

25/35-way sleeve, 12 - 15 mm

Illustration



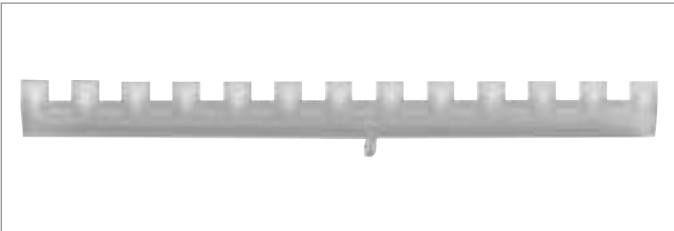
Product information

Product code	VDI-TUE
Designation	Protective cap / sleeve
Part number	1 928 300 194
Quotation drawing (assembly)	A 928 000 354
Quotation drawing (component)	C 280 208 138

Technical data

25-way locking element

Illustration



Product information

Product code	VARB
Designation	General connection systems, Robert Bosch
Part number	1 928 400 950
Quotation drawing (component)	C 280 208 195

Technical data

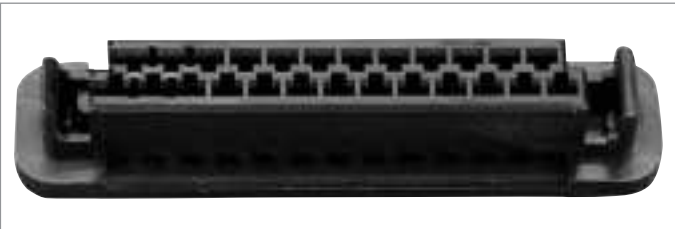
No. of poles	25
Color (FA)	Neutral
Secondary lock	None
Dimensions (L x W x H)	62.80 x 2.00 x 7.50 mm

High-way plug-in connections

25-way plug-in connection

25-way contact carrier

Illustration



Product information

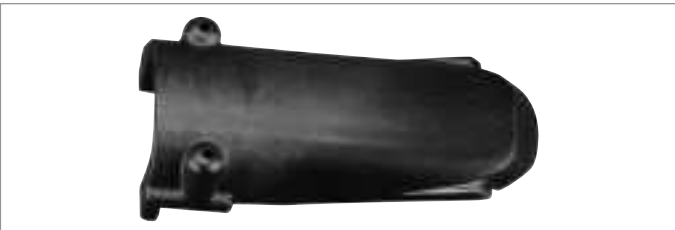
Product code	VARB
Designation	General connection systems, Robert Bosch
Part number	1 928 400 952
Quotation drawing (component)	C 280 208 194

Technical data

No. of poles	25
Color (FA)	Black
Secondary lock	None
Type of contact	JT/JPT
Dimensions (L x W x H)	89.00 x 19.80 x 22.00 mm
Row spacing	2.00 mm

Cable clamp

Illustration



Product information

Product code	VARB
Designation	General connection systems, Robert Bosch
Part number	1 928 400 992
Quotation drawing (component)	C 280 208 248

Technical data

Secondary lock	None
Dimensions (L x W x H)	57.00 x 28.50 x 14.00 mm

25-way grip molding

Illustration



Product information

Product code	VAFK
Designation	General connection systems, external customers
Part number	1 928 401 004
Quotation drawing (component)	C 280 208 592

Technical data

No. of poles	25
Color (FA)	Black
Encoding	1
Outgoing cable direction (KR)	Outgoing cable opposite encoding lug
Secondary lock	None
Dimensions (L x W x H)	150.70 x 28.50 x 42.00 mm

High-way plug-in connections

25-way plug-in connection

25-way grip molding

Illustration



Technical data

No. of poles	25
Color (FA)	Black
Encoding	13
Outgoing cable direction (KR)	Outgoing cable opposite encoding lug
Secondary lock	None
Dimensions (L x W x H)	150.70 x 28.50 x 42.00 mm

Product information

Product code	VARB
Designation	General connection systems, Robert Bosch
Part number	1 928 401 013
Quotation drawing (component)	C 280 208 220

High-way plug-in connections

26-way plug-in connection (GD)

General information

Illustration



Technical description

The 26-way wiring-harness connector is a compact high-way plug-in connection for ABS/ASR/ESP control units. A silicone-gel seal (BMK 0.6) or individual wire seals (MCP 2.8) are used for the cable. Thanks to the gel seal, no additional sealing (e.g. dummy plugs) is required for non-used signal pins (BMK 0.6) (refer to product information on silicone-gel seal). Pull-in and locking are by a lever/claw system.

Features

- ▶ Sealed plug-in connection
- ▶ Low insertion force
- ▶ Integrated secondary lock
- ▶ Silicone-gel seal (GD) and individual wire seal
- ▶ High-current contacts
- ▶ Signal-current contacts

Technical features

- ▶ Vibration resistance: 3 g
- ▶ Temperature range: -40° C...+120° C
- ▶ Degree of protection: IP X4K, X6K, X9K
- ▶ Connection cross-sections: 1.5...4.0 mm² (MCP 2.8); 0.5...0.75 mm² (BMK 0.6)
- ▶ Suitable contacts:
 - 4x MCP 2.8 with individual wire seal
 - 22x BMK 0.6
- ▶ Contact spacing/posts BMK 0.6: 2.5 mm x 3.5 mm/0.63 mm

All currently applicable quotation drawings and technical customer documentation for the 26-way plug-in connection (GD) product category can be found in the internet under www.bosch-connectors.com.

Strap

Illustration



Technical data

Color (FA)	Black
------------	-------

Product information

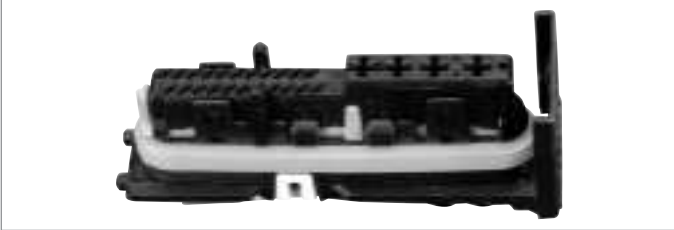
Product code	VAFK
Designation	General connection systems, external customers
Part number	1 928 401 713
Quotation drawing (component)	C 265 152 006

High-way plug-in connections

26-way plug-in connection (GD)

Pre-assembled 26-way contact carrier

Illustration



Product information

Product code	VHP-26P
Designation	26-way wiring-harness connector
Part number	1 928 404 406
Quotation drawing (assembly)	A 928 000 607
Quotation drawing (component)	D 928 003 09A

Technical data

No. of poles	26
Outgoing cable direction (KR)	Left
Type of seal (plug)	Axial seal
Type of seal (cable)	Individual wire seal
Type of locking (plug)	With steel lever
Vibration resistance	3 g
Temperature range, min./max.	-40 / 120 °C
Contact spacing	8 mm
Applications	Bodywork attachment
Degree of protection	IP 54K, 69K

Pre-assembled 26-way contact carrier with protective cap

Illustration



Product information

Product code	VHP-26P
Designation	26-way wiring-harness connector
Part number	1 928 404 408
Quotation drawing (assembly)	A 928 000 607
Quotation drawing (component)	D 928 003 09A

Technical data

Outgoing cable direction (KR)	Left
Type of seal (plug)	Axial seal
Type of seal (cable)	Individual wire seal
Type of locking (plug)	With steel lever
Vibration resistance	3 g
Temperature range, min./max.	-40 / 120 °C
Contact spacing	8 mm
Applications	Bodywork attachment
Degree of protection	IP 54K, 69K

Pre-assembled 26-way grip molding

Illustration



Product information

Product code	VHP-26P
Designation	26-way wiring-harness connector
Part number	1 928 404 410
Quotation drawing (assembly)	A 928 000 607
Quotation drawing (component)	D 928 003 17A


Technical data

No. of poles	26
Encoding	1
Outgoing cable direction (KR)	Left
Type of seal (plug)	Axial seal
Type of seal (cable)	Individual wire seal
Type of locking (plug)	With steel lever
Vibration resistance	3 g
Temperature range, min./max.	-40 / 120 °C
Contact spacing	8 mm
Applications	Bodywork attachment
Degree of protection	IP 54K, 69K

High-way plug-in connections


26-way plug-in connection (GD)

Pre-assembled 26-way contact carrier

Illustration	
	
Product information	
Product code	VHP-26P
Designation	26-way wiring-harness connector
Part number	1 928 404 491
Quotation drawing (assembly)	A 928 000 607
Quotation drawing (component)	D 928 003 09A


Technical data	
No. of poles	26
Outgoing cable direction (KR)	Right
Type of seal (plug)	Axial seal
Type of seal (cable)	Individual wire seal
Type of locking (plug)	With steel lever
Vibration resistance	3 g
Temperature range, min./max.	-40 / 120 °C
Contact spacing	8 mm
Row spacing	4.80 mm
Applications	Bodywork attachment
Degree of protection	IP 54K;69K

Pre-assembled 26-way contact carrier with protective cap

Illustration	
	
Product information	
Product code	VHP-26P
Designation	26-way wiring-harness connector
Part number	1 928 404 492
Quotation drawing (assembly)	A 928 000 607
Quotation drawing (component)	D 928 003 09A

Technical data	
No. of poles	26
Outgoing cable direction (KR)	Right
Type of seal (plug)	Axial seal
Type of seal (cable)	Individual wire seal
Type of locking (plug)	With steel lever
Vibration resistance	3 g
Temperature range, min./max.	-40 / 120 °C
Contact spacing	8 mm
Row spacing	4.80 mm
Applications	Bodywork attachment
Degree of protection	IP 54K;69K

Pre-assembled 26-way grip molding

Illustration	
	
Product information	
Product code	VHP-26P
Designation	26-way wiring-harness connector
Part number	1 928 404 494
Quotation drawing (assembly)	A 928 000 607
Quotation drawing (component)	D 928 003 17A

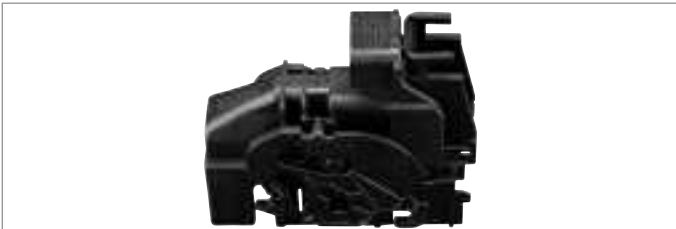
Technical data	
No. of poles	26
Encoding	1
Outgoing cable direction (KR)	Right
Type of seal (plug)	Axial seal
Type of seal (cable)	Individual wire seal
Type of locking (plug)	With steel lever
Vibration resistance	3 g
Temperature range, min./max.	-40 / 120 °C
Contact spacing	8 mm
Row spacing	4.80 mm
Applications	Bodywork attachment
Degree of protection	IP 54K;69K

High-way plug-in connections

26-way plug-in connection (GD)

Pre-assembled 26-way grip molding

Illustration



Product information

Product code	VHP-26P
Designation	26-way wiring-harness connector
Part number	1 928 404 797
Quotation drawing (assembly)	A 928 000 607
Quotation drawing (component)	D 928 003 17A

Technical data

Outgoing cable direction (KR)	Top
Type of seal (plug)	Axial seal
Type of seal (cable)	Individual wire seal
Type of locking (plug)	With steel lever
Vibration resistance	3 g
Temperature range, min./max.	-40 / 120 °C
Contact spacing	8 mm
Row spacing	4.80 mm
Applications	Bodywork attachment
Degree of protection	IP 54K;69K

High-way plug-in connections

31-way plug-in connection

General information

Illustration



Features

- ▶ Sealed plug-in connection
- ▶ Versions with and without secondary lock
- ▶ Optionally with and without microswitch spring
- ▶ High-current contacts

Technical description

The 31-way plug-in connection is used for the connection of an ABS control unit. The combination of secondary lock, microswitch spring, factory-sealed contact clips, locking slide and outgoing cable direction permits a wide range of application-specific versions. A slide is used for pull-in and locking.

Technical features

- ▶ Vibration resistance: 2 g
- ▶ Temperature range: -40° C...+120° C
- ▶ Degree of protection: IP 54K, IP 69K
- ▶ Connection cross-sections:
 - 0.5...4 mm² (SPT)
 - 0.35...0.5 mm² (μTII)
- ▶ Suitable contacts:
 - 4x SPT with individual wire seal
 - 27x μTII with individual wire seal
- ▶ Contact spacing/posts:
 - SPT: 7.6 mm/4.8 mm
 - μTII: 4 mm/1.6 mm

All currently applicable quotation drawings and technical customer documentation for the 31-way plug-in connection product category can be found in the internet under www.bosch-connectors.com.

31-way cover

Illustration



Product information

Product code	VHP-31P
Designation	31-way wiring-harness connector
Part number	1 928 402 824
Quotation drawing (assembly)	A 928 000 208
Quotation drawing (component)	C 928 001 36A

Technical data

No. of poles	31
Outgoing cable direction (KR)	Left/right
Secondary lock	None
Type of locking (plug)	With slide
Vibration resistance	2 g
Dimensions (L x W x H)	62.60 x 25.10 x 35.00 mm
Temperature range, min./max.	-40 / 120 °C
Contact spacing	7.6 mm
Row spacing	4.80 mm
Applications	Bodywork attachment
Degree of protection	IP 54K, 69K

High-way plug-in connections

31-way plug-in connection

Pre-assembled 31-way contact carrier

Illustration



Product information

Product code	VHP-31P
Designation	31-way wiring-harness connector
Part number	1 928 402 936
Quotation drawing (assembly)	A 928 000 208
Quotation drawing (component)	D 928 001 12A

Technical data

No. of poles	31
Encoding	1
Outgoing cable direction (KR)	Left
Secondary lock	None
Type of contact	MT2, SPT
Type of locking (plug)	With slide
Vibration resistance	2 g
Dimensions (L x W x H)	80.90 x 31.00 x 43.90 mm
Temperature range, min./max.	-40 / 120 °C
Contact spacing	7.6 mm
Row spacing	3.00 mm
Applications	Bodywork attachment
Degree of protection	IP 54K, 69K
Comments	Microswitch spring
Other features (SO)	Slide on left

Pre-assembled 31-way contact carrier

Illustration



Product information

Product code	VHP-31P
Designation	31-way wiring-harness connector
Part number	1 928 402 942
Quotation drawing (assembly)	A 928 000 208
Quotation drawing (component)	D 928 001 12A

Technical data

No. of poles	31
Encoding	1
Outgoing cable direction (KR)	Right
Secondary lock	None
Type of contact	MT2, SPT
Type of locking (plug)	With slide
Vibration resistance	2 g
Dimensions (L x W x H)	80.90 x 31.00 x 43.90 mm
Temperature range, min./max.	-40 / 120 °C
Contact spacing	7.6 mm
Row spacing	3.00 mm
Applications	Bodywork attachment
Degree of protection	IP 54K, 69K
Comments	Microswitch spring
Other features (SO)	Slide on left

Pre-assembled 31-way contact carrier

Illustration



Product information

Product code	VHP-31P
Designation	31-way wiring-harness connector
Part number	1 928 402 944
Quotation drawing (assembly)	A 928 000 208
Quotation drawing (component)	D 928 001 12A


Technical data

No. of poles	31
Color (FA)	Black
Encoding	1
Outgoing cable direction (KR)	Left
Secondary lock	None
Type of contact	MT2,SPT
Type of locking (plug)	With slide
Vibration resistance	2 g
Dimensions (L x W x H)	80.90 x 31.00 x 43.90 mm
Temperature range, min./max.	-40 / 120 °C
Contact spacing	7.6 mm
Row spacing	3.00 mm
Applications	Bodywork attachment
Degree of protection	IP 54K,69K
Comments	Slide on right, microswitch spring

High-way plug-in connections

31-way plug-in connection

Pre-assembled 31-way contact carrier

Illustration	
	
Product information	
Product code	VHP-31P
Designation	31-way wiring-harness connector
Part number	1 928 402 952
Quotation drawing (assembly)	A 928 000 208
Quotation drawing (component)	D 928 001 12A


Technical data	
No. of poles	31
Encoding	2
Outgoing cable direction (KR)	Left
Secondary lock	None
Type of contact	MT2, SPT
Type of locking (plug)	With slide
Vibration resistance	2 g
Dimensions (L x W x H)	80.90 x 31.00 x 43.90 mm
Temperature range, min./max.	-40 / 120 °C
Contact spacing	7.6 mm
Row spacing	3.00 mm
Applications	Bodywork attachment
Degree of protection	IP 54K, 69K
Other features (SO)	Slide on left

Pre-assembled 31-way contact carrier

Illustration	
	
Product information	
Product code	VHP-31P
Designation	31-way wiring-harness connector
Part number	1 928 402 953
Quotation drawing (assembly)	A 928 000 208
Quotation drawing (component)	D 928 001 12A

Technical data	
No. of poles	31
Encoding	2
Outgoing cable direction (KR)	Left
Secondary lock	None
Type of contact	MT 2,SPT
Type of locking (plug)	With slide
Vibration resistance	2 g
Dimensions (L x W x H)	80.90 x 31.00 x 43.90 mm
Temperature range, min./max.	-40 / 120 °C
Contact spacing	7.6 mm
Row spacing	3.00 mm
Applications	Bodywork attachment
Degree of protection	IP 54K, 69K
Other features (SO)	Slide on right

Pre-assembled 31-way contact carrier


Illustration	
	
Product information	
Product code	VHP-31P
Designation	31-way wiring-harness connector
Part number	1 928 402 956
Quotation drawing (assembly)	A 928 000 208
Quotation drawing (component)	D 928 001 12A

Technical data	
No. of poles	31
Encoding	2
Outgoing cable direction (KR)	Right
Secondary lock	None
Type of contact	MT2, SPT
Type of locking (plug)	With slide
Vibration resistance	2 g
Dimensions (L x W x H)	80.90 x 31.00 x 43.90 mm
Temperature range, min./max.	-40 / 120 °C
Contact spacing	7.6 mm
Row spacing	3.00 mm
Applications	Bodywork attachment
Degree of protection	IP 54K, 69K
Other features (SO)	Slide on right

High-way plug-in connections


31-way plug-in connection

Pre-assembled 31-way contact carrier

Illustration	
	
Product information	
Product code	VHP-31P
Designation	31-way wiring-harness connector
Part number	1 928 402 957
Quotation drawing (assembly)	A 928 000 208
Quotation drawing (component)	D 928 001 12A


Technical data	
No. of poles	31
Encoding	1
Outgoing cable direction (KR)	Top, special design: Slide on right, microswitch spring, application: ABS 5.3
Secondary lock	None
Type of contact	MT2, SPT
Type of locking (plug)	With slide
Vibration resistance	2 g
Dimensions (L x W x H)	80.90 x 31.00 x 43.90 mm
Temperature range, min./max.	-40 / 120 °C
Contact spacing	7.6 mm
Row spacing	3.00 mm
Applications	Bodywork attachment
Degree of protection	IP 54K, 69K

Pre-assembled 31-way contact carrier

Illustration	
	
Product information	
Product code	VHP-31P
Designation	31-way wiring-harness connector
Part number	1 928 402 958
Quotation drawing (assembly)	A 928 000 208
Quotation drawing (component)	D 928 001 12A

Technical data	
No. of poles	31
Encoding	2
Outgoing cable direction (KR)	Left
Secondary lock	None
Type of contact	MT2, SPT
Type of locking (plug)	With slide
Vibration resistance	2 g
Dimensions (L x W x H)	80.90 x 31.00 x 43.90 mm
Temperature range, min./max.	-40 / 120 °C
Contact spacing	7.6 mm
Row spacing	3.00 mm
Applications	Bodywork attachment
Degree of protection	IP 54K, 69K
Comments	Contact cavities 27-31 closed
Other features (SO)	Slide on right

Pre-assembled 31-way contact carrier


Illustration	
	
Product information	
Product code	VHP-31P
Designation	31-way wiring-harness connector
Part number	1 928 402 964
Quotation drawing (assembly)	A 928 000 208
Quotation drawing (component)	D 928 001 12A

Technical data	
No. of poles	31
Color (FA)	Black
Encoding	2
Outgoing cable direction (KR)	Right, slide on right, no microswitch spring, contact cavities 27-37 closed
Secondary lock	None
Type of contact	MT2,SPT
Type of locking (plug)	With slide
Vibration resistance	2 g
Dimensions (L x W x H)	80.90 x 31.00 x 43.90 mm
Temperature range, min./max.	-40 / 120 °C
Contact spacing	7.6 mm
Row spacing	3.00 mm
Applications	Bodywork attachment
Degree of protection	IP 54K;69K

High-way plug-in connections

31-way plug-in connection

Pre-assembled 31-way contact carrier

Illustration	
	
Product information	
Product code	VHP-31P
Designation	31-way wiring-harness connector
Part number	1 928 402 965
Quotation drawing (assembly)	A 928 000 208
Quotation drawing (component)	D 928 001 12A


Technical data	
No. of poles	31
Encoding	2
Outgoing cable direction (KR)	Left
Secondary lock	None
Type of contact	MT2, SPT
Type of locking (plug)	With slide
Vibration resistance	2 g
Dimensions (L x W x H)	80.90 x 31.00 x 43.90 mm
Temperature range, min./max.	-40 / 120 °C
Contact spacing	7.6 mm
Row spacing	3.00 mm
Applications	Bodywork attachment
Degree of protection	IP 54K, 69K
Comments	Contact cavities 27-31 closed
Other features (SO)	Slide on left

Pre-assembled 31-way contact carrier

Illustration	
	
Product information	
Product code	VHP-31P
Designation	31-way wiring-harness connector
Part number	1 928 402 969
Quotation drawing (assembly)	A 928 000 208
Quotation drawing (component)	D 928 001 12A

Technical data	
No. of poles	31
Encoding	2
Outgoing cable direction (KR)	Top, special design: Slide on right, micro-switch spring, application: ABS 5.3
Secondary lock	None
Type of contact	MT2, SPT
Type of locking (plug)	With slide
Vibration resistance	2 g
Dimensions (L x W x H)	80.90 x 31.00 x 43.90 mm
Temperature range, min./max.	-40 / 120 °C
Contact spacing	7.6 mm
Row spacing	3.00 mm
Applications	Bodywork attachment
Degree of protection	IP 54K, 69K

Pre-assembled 31-way contact carrier

Illustration	
	
Product information	
Product code	VHP-31P
Designation	31-way wiring-harness connector
Part number	1 928 402 973
Quotation drawing (assembly)	A 928 000 208
Quotation drawing (component)	D 928 001 12A

Technical data	
No. of poles	31
Type of locking (plug)	With slide
Vibration resistance	2 g
Temperature range, min./max.	-40 / 120 °C
Contact spacing	7.6 mm
Row spacing	4.80 mm
Applications	Bodywork attachment
Degree of protection	IP54K, IP69K

High-way plug-in connections

31-way plug-in connection

Pre-assembled 31-way contact carrier

Illustration



Product information

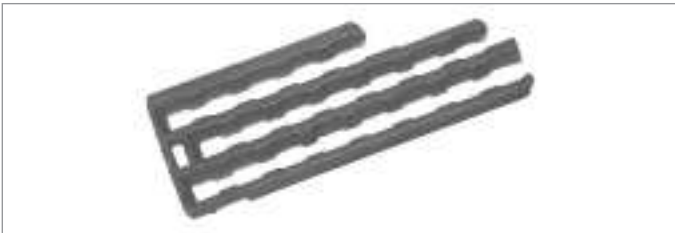
Product code	VHP-31P
Designation	31-way wiring-harness connector
Part number	1 928 402 977
Quotation drawing (assembly)	A 928 000 208
Quotation drawing (component)	D 928 001 12A

Technical data

No. of poles	31
Type of locking (plug)	With slide
Vibration resistance	2 g
Temperature range, min./max.	-40 / 120 °C
Contact spacing	7.6 mm
Row spacing	4.80 mm
Applications	Bodywork attachment
Degree of protection	IP54K, IP69K

31-way secondary lock

Illustration



Product information

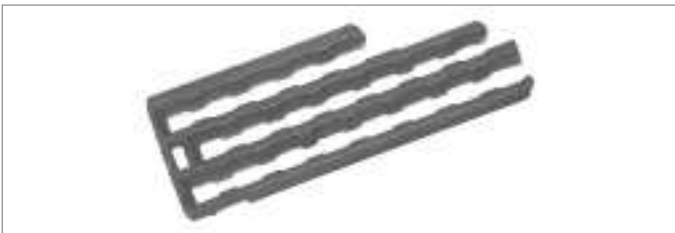
Product code	VHP-31P
Designation	31-way wiring-harness connector
Part number	1 928 402 995
Quotation drawing (assembly)	A 928 000 209
Quotation drawing (component)	C 928 001 34A

Technical data

No. of poles	31
Secondary lock	None
Type of locking (plug)	With slide
Vibration resistance	2 g
Dimensions (L x W x H)	30.50 x 13.00 x 3.80 mm
Temperature range, min./max.	-40 / 120 °C
Contact spacing	7.6 mm
Row spacing	4.80 mm
Applications	Bodywork attachment
Degree of protection	IP54K, IP69K

31-way secondary lock

Illustration



Product information

Product code	VHP-31P
Designation	31-way wiring-harness connector
Part number	1 928 402 996
Quotation drawing (assembly)	A 928 000 209
Quotation drawing (component)	C 928 001 35A

Technical data

No. of poles	31
Color (FA)	Lilac
Secondary lock	None
Type of locking (plug)	With slide
Vibration resistance	2 g
Dimensions (L x W x H)	32.15 x 12.80 x 2.20 mm
Temperature range, min./max.	-40 / 120 °C
Contact spacing	7.6 mm
Row spacing	4.80 mm
Applications	Bodywork attachment
Degree of protection	IP54K, IP69K

High-way plug-in connections

31-way plug-in connection

Pre-assembled 31-way contact carrier

Illustration



Product information

Product code	VHP-31P
Designation	31-way wiring-harness connector
Part number	1 928 403 001
Quotation drawing (assembly)	A 928 000 209
Quotation drawing (component)	D 928 001 11A

Technical data

No. of poles	31
Encoding	1
Outgoing cable direction (KR)	Left
Secondary lock	Sliding pin
Type of contact	MT2, SPT
Type of locking (plug)	With slide
Vibration resistance	2 g
Dimensions (L x W x H)	80.90 x 31.00 x 43.90 mm
Temperature range, min./max.	-40 / 120 °C
Contact spacing	7.6 mm
Row spacing	3.00 mm
Applications	Bodywork attachment
Degree of protection	IP 54K, 69K
Comments	Microswitch spring
Other features (SO)	Slide on left

Pre-assembled 31-way contact carrier

Illustration



Product information

Product code	VHP-31P
Designation	31-way wiring-harness connector
Part number	1 928 403 002
Quotation drawing (assembly)	A 928 000 209
Quotation drawing (component)	D 928 001 11A

Technical data

No. of poles	31
Encoding	1
Outgoing cable direction (KR)	Right
Secondary lock	Sliding pin
Type of contact	MT2, SPT
Type of locking (plug)	With slide
Vibration resistance	2 g
Dimensions (L x W x H)	80.90 x 31.00 x 43.90 mm
Temperature range, min./max.	-40 / 120 °C
Contact spacing	7.6 mm
Row spacing	3.00 mm
Applications	Bodywork attachment
Degree of protection	IP 54K, 69K
Comments	Microswitch spring
Other features (SO)	Slide on right

Pre-assembled 31-way contact carrier

Illustration



Product information

Product code	VHP-31P
Designation	31-way wiring-harness connector
Part number	1 928 403 003
Quotation drawing (assembly)	A 928 000 209
Quotation drawing (component)	D 928 001 11A

Technical data

No. of poles	31
Encoding	2
Outgoing cable direction (KR)	Left
Secondary lock	Sliding pin
Type of contact	MT2, SPT
Type of locking (plug)	With slide
Vibration resistance	2 g
Dimensions (L x W x H)	80.90 x 31.00 x 43.90 mm
Temperature range, min./max.	-40 / 120 °C
Contact spacing	7.6 mm
Row spacing	3.00 mm
Applications	Bodywork attachment
Degree of protection	IP 54K, 69K
Other features (SO)	Slide on left

High-way plug-in connections

31-way plug-in connection

Pre-assembled 31-way contact carrier

Illustration



Product information

Product code	VHP-31P
Designation	31-way wiring-harness connector
Part number	1 928 403 004
Quotation drawing (assembly)	A 928 000 208
Quotation drawing (component)	D 928 001 11A

Technical data

No. of poles	31
Encoding	2
Outgoing cable direction (KR)	Right
Secondary lock	Sliding pin
Type of contact	MT2, SPT
Type of locking (plug)	With slide
Vibration resistance	2 g
Dimensions (L x W x H)	80.90 x 31.00 x 43.90 mm
Temperature range, min./max.	-40 / 120 °C
Contact spacing	7.6 mm
Row spacing	3.00 mm
Applications	Bodywork attachment
Degree of protection	IP 54K, 69K
Other features (SO)	Slide on right

Pre-assembled 31-way contact carrier

Illustration



Product information

Product code	VHP-31P
Designation	31-way wiring-harness connector
Part number	1 928 403 005
Quotation drawing (assembly)	A 928 000 209
Quotation drawing (component)	D 928 001 11A

Technical data

No. of poles	31
Encoding	1
Outgoing cable direction (KR)	Right
Secondary lock	Sliding pin
Type of contact	MT2, SPT
Type of locking (plug)	With slide
Vibration resistance	2 g
Dimensions (L x W x H)	80.90 x 31.00 x 43.90 mm
Temperature range, min./max.	-40 / 120 °C
Contact spacing	7.6 mm
Row spacing	3.00 mm
Applications	Bodywork attachment
Degree of protection	IP 54K, 69K
Comments	Microswitch spring
Other features (SO)	Slide on left

Pre-assembled 31-way contact carrier

Illustration



Product information

Product code	VHP-31P
Designation	31-way wiring-harness connector
Part number	1 928 403 006
Quotation drawing (assembly)	A 928 000 209
Quotation drawing (component)	D 928 001 11A


Technical data

No. of poles	31
Encoding	2
Outgoing cable direction (KR)	Top
Secondary lock	Sliding pin
Type of contact	MT2, SPT
Type of locking (plug)	With slide
Vibration resistance	2 g
Dimensions (L x W x H)	80.90 x 31.00 x 43.90 mm
Temperature range, min./max.	-40 / 120 °C
Contact spacing	7.6 mm
Row spacing	3.00 mm
Applications	Bodywork attachment
Degree of protection	IP 54K, 69K
Other features (SO)	Slide on left

High-way plug-in connections


31-way plug-in connection

Pre-assembled 31-way contact carrier

Illustration	
	
Product information	
Product code	VHP-31P
Designation	31-way wiring-harness connector
Part number	1 928 403 008
Quotation drawing (assembly)	A 928 000 209
Quotation drawing (component)	D 928 001 11A


Technical data	
No. of poles	31
Encoding	2
Outgoing cable direction (KR)	Left
Secondary lock	Sliding pin
Type of contact	MT2, SPT
Type of locking (plug)	With slide
Vibration resistance	2 g
Dimensions (L x W x H)	80.90 x 31.00 x 43.90 mm
Temperature range, min./max.	-40 / 120 °C
Contact spacing	7.6 mm
Row spacing	3.00 mm
Applications	Bodywork attachment
Degree of protection	IP 54K, 69K
Other features (SO)	Slide on right

Pre-assembled 31-way contact carrier

Illustration	
	
Product information	
Product code	VHP-31P
Designation	31-way wiring-harness connector
Part number	1 928 403 009
Quotation drawing (assembly)	A 928 000 209
Quotation drawing (component)	D 928 001 11A

Technical data	
No. of poles	31
Encoding	2
Outgoing cable direction (KR)	Left
Secondary lock	Sliding pin
Type of contact	MT2, SPT
Type of locking (plug)	With slide
Vibration resistance	2 g
Dimensions (L x W x H)	80.90 x 31.00 x 43.90 mm
Temperature range, min./max.	-40 / 120 °C
Contact spacing	7.6 mm
Row spacing	3.00 mm
Applications	Bodywork attachment
Degree of protection	IP 54K, 69K
Comments	Closed contact cavities 27-31
Other features (SO)	Slide on right

Pre-assembled 31-way contact carrier

Illustration	
	
Product information	
Product code	VHP-31P
Designation	31-way wiring-harness connector
Part number	1 928 403 011
Quotation drawing (assembly)	A 928 000 209
Quotation drawing (component)	D 928 001 11A

Technical data	
No. of poles	31
Encoding	1
Outgoing cable direction (KR)	Right
Secondary lock	Sliding pin
Type of contact	MT2, SPT
Type of locking (plug)	With slide
Vibration resistance	2 g
Dimensions (L x W x H)	80.90 x 31.00 x 43.90 mm
Temperature range, min./max.	-40 / 120 °C
Contact spacing	7.6 mm
Row spacing	3.00 mm
Applications	Bodywork attachment
Degree of protection	IP 54K, 69K
Comments	Microswitch spring; closed contact cavities 27-31
Other features (SO)	Slide on left

High-way plug-in connections

31-way plug-in connection

Pre-assembled 31-way contact carrier

Illustration



Product information

Product code	VHP-31P
Designation	31-way wiring-harness connector
Part number	1 928 403 012
Quotation drawing (assembly)	A 928 000 209
Quotation drawing (component)	D 928 001 11A

Technical data

No. of poles	31
Encoding	2
Outgoing cable direction (KR)	Left
Secondary lock	Sliding pin
Type of contact	MT2, SPT
Type of locking (plug)	With slide
Vibration resistance	2 g
Dimensions (L x W x H)	80.90 x 31.00 x 43.90 mm
Temperature range, min./max.	-40 / 120 °C
Contact spacing	7.6 mm
Row spacing	3.00 mm
Applications	Bodywork attachment
Degree of protection	IP 54K, 69K
Comments	Closed contact cavities 27-31
Other features (SO)	Slide on left

Pre-assembled 31-way contact carrier

Illustration



Product information

Product code	VHP-31P
Designation	31-way wiring-harness connector
Part number	1 928 403 013
Quotation drawing (assembly)	A 928 000 285
Quotation drawing (component)	D 928 001 46A

Technical data

No. of poles	31
Encoding	2
Outgoing cable direction (KR)	Left
Secondary lock	Sliding pin
Type of contact	MT2, SPT
Type of locking (plug)	With slide
Vibration resistance	2 g
Dimensions (L x W x H)	80.90 x 31.00 x 43.90 mm
Temperature range, min./max.	-40 / 120 °C
Contact spacing	7.6 mm
Row spacing	3.00 mm
Applications	Bodywork attachment
Degree of protection	IP 54K, 69K
Comments	VK=ABS 5.3
Other features (SO)	Slide on right

Pre-assembled 31-way contact carrier

Illustration



Product information

Product code	VHP-31P
Designation	31-way wiring-harness connector
Part number	1 928 403 015
Quotation drawing (assembly)	A 928 000 209
Quotation drawing (component)	D 928 001 11A


Technical data

No. of poles	31
Encoding	1
Outgoing cable direction (KR)	Left
Secondary lock	Sliding pin
Type of contact	MT2, SPT
Type of locking (plug)	With slide
Vibration resistance	2 g
Dimensions (L x W x H)	80.90 x 31.00 x 43.90 mm
Temperature range, min./max.	-40 / 120 °C
Contact spacing	7.6 mm
Row spacing	3.00 mm
Applications	Bodywork attachment
Degree of protection	IP 54K, 69K
Comments	Microswitch spring
Other features (SO)	Slide on right

High-way plug-in connections

31-way plug-in connection

Pre-assembled 31-way contact carrier

Illustration	
	
Product information	
Product code	VHP-31P
Designation	31-way wiring-harness connector
Part number	1 928 403 018
Quotation drawing (assembly)	A 928 000 209
Quotation drawing (component)	D 928 001 11A


Technical data	
No. of poles	31
Encoding	1
Outgoing cable direction (KR)	Right
Secondary lock	Sliding pin
Type of contact	MT2, SPT
Type of locking (plug)	With slide
Vibration resistance	2 g
Dimensions (L x W x H)	80.90 x 31.00 x 43.90 mm
Temperature range, min./max.	-40 / 120 °C
Contact spacing	7.6 mm
Row spacing	3.00 mm
Applications	Bodywork attachment
Degree of protection	IP 54K, 69K
Comments	Microswitch spring; closed contact cavities 27-31
Other features (SO)	Slide on right

Pre-assembled 31-way contact carrier

Illustration	
	
Product information	
Product code	VHP-31P
Designation	31-way wiring-harness connector
Part number	1 928 403 019
Quotation drawing (assembly)	A 928 000 209
Quotation drawing (component)	D 928 001 11A

Technical data	
No. of poles	31
Encoding	2
Outgoing cable direction (KR)	Right
Secondary lock	Sliding pin
Type of contact	MT2, SPT
Type of locking (plug)	With slide
Vibration resistance	2 g
Dimensions (L x W x H)	80.90 x 31.00 x 43.90 mm
Temperature range, min./max.	-40 / 120 °C
Contact spacing	7.6 mm
Row spacing	3.00 mm
Applications	Bodywork attachment
Degree of protection	IP 54K, 69K
Other features (SO)	Slide on left

Pre-assembled 31-way contact carrier

Illustration	
	
Product information	
Product code	VHP-31P
Designation	31-way wiring-harness connector
Part number	1 928 403 020
Quotation drawing (assembly)	A 928 000 209
Quotation drawing (component)	D 928 001 11A

Technical data	
No. of poles	31
Encoding	2
Outgoing cable direction (KR)	Right
Secondary lock	Sliding pin
Type of contact	MT2, SPT
Type of locking (plug)	With slide
Vibration resistance	2 g
Dimensions (L x W x H)	80.90 x 31.00 x 43.90 mm
Temperature range, min./max.	-40 / 120 °C
Contact spacing	7.6 mm
Row spacing	3.00 mm
Applications	Bodywork attachment
Degree of protection	IP 54K, 69K
Comments	Closed contact cavities 27-31
Other features (SO)	Slide on left

High-way plug-in connections

31-way plug-in connection

Pre-assembled 31-way contact carrier

Illustration



Product information

Product code	VHP-31P
Designation	31-way wiring-harness connector
Part number	1 928 403 024
Quotation drawing (assembly)	A 928 000 209
Quotation drawing (component)	D 928 001 11A

Technical data

No. of poles	31
Encoding	2
Outgoing cable direction (KR)	Right
Secondary lock	Sliding pin
Type of contact	MT2, SPT
Type of locking (plug)	With slide
Vibration resistance	2 g
Dimensions (L x W x H)	80.90 x 31.00 x 43.90 mm
Temperature range, min./max.	-40 / 120 °C
Contact spacing	7.6 mm
Row spacing	3.00 mm
Applications	Bodywork attachment
Degree of protection	IP 54K, 69K
Comments	Contact cavities 27-31 closed
Other features (SO)	Slide on right

Pre-assembled 31-way contact carrier

Illustration



Product information

Product code	VHP-31P
Designation	31-way wiring-harness connector
Part number	1 928 403 083
Quotation drawing (assembly)	A 928 000 208
Quotation drawing (component)	D 928 001 12A

Technical data

No. of poles	31
Encoding	1
Outgoing cable direction (KR)	Top
Secondary lock	None
Type of contact	MT2, SPT
Type of locking (plug)	With slide
Vibration resistance	2 g
Dimensions (L x W x H)	80.90 x 31.00 x 43.90 mm
Temperature range, min./max.	-40 / 120 °C
Contact spacing	7.6 mm
Row spacing	3.00 mm
Applications	Bodywork attachment
Degree of protection	IP 54K, 69K
Comments	Microswitch spring
Other features (SO)	Slide on left

31-way cover

Illustration



Product information

Product code	VHP-31P
Designation	31-way wiring-harness connector
Part number	1 928 403 084
Quotation drawing (assembly)	A 928 000 208 + A 928 000 209
Quotation drawing (component)	C 928 001 37A


Technical data

No. of poles	31
Color (FA)	Black
Outgoing cable direction (KR)	Top
Secondary lock	None
Type of locking (plug)	With slide
Vibration resistance	2 g
Dimensions (L x W x H)	62.00 x 25.00 x 41.50 mm
Temperature range, min./max.	-40 / 120 °C
Contact spacing	7.6 mm
Row spacing	4.80 mm
Applications	Bodywork attachment
Degree of protection	IP54K, IP69K

High-way plug-in connections

31-way plug-in connection

Pre-assembled 31-way contact carrier

Illustration	
	
Product information	
Product code	VHP-31P
Designation	31-way wiring-harness connector
Part number	1 928 403 127
Quotation drawing (assembly)	A 928 000 208
Quotation drawing (component)	D 928 001 12A


Technical data	
No. of poles	31
Encoding	1
Outgoing cable direction (KR)	Top
Secondary lock	None
Type of contact	MT2, SPT
Type of locking (plug)	With slide
Vibration resistance	2 g
Dimensions (L x W x H)	80.90 x 31.00 x 43.90 mm
Temperature range, min./max.	-40 / 120 °C
Contact spacing	7.6 mm
Row spacing	3.00 mm
Applications	Bodywork attachment
Degree of protection	IP 54K, 69K
Comments	Microswitch spring; contact cavities 27-31 closed
Other features (SO)	Slide on right

Pre-assembled 31-way contact carrier

Illustration	
	
Product information	
Product code	VHP-31P
Designation	31-way wiring-harness connector
Part number	1 928 403 131
Quotation drawing (assembly)	A 928 000 208
Quotation drawing (component)	D 928 001 12A

Technical data	
No. of poles	31
Encoding	1
Outgoing cable direction (KR)	Left
Secondary lock	None
Type of contact	MT2, SPT
Type of locking (plug)	With slide
Vibration resistance	2 g
Dimensions (L x W x H)	80.90 x 31.00 x 43.90 mm
Temperature range, min./max.	-40 / 120 °C
Contact spacing	7.6 mm
Row spacing	3.00 mm
Applications	Bodywork attachment
Degree of protection	IP 54K, 69K
Comments	Microswitch spring; contact cavities 27-31 closed
Other features (SO)	Slide on right

31-way secondary lock

Illustration	
	
Product information	
Product code	VHP-31P
Designation	31-way wiring-harness connector
Part number	1 928 403 217
Quotation drawing (assembly)	A 928 000 285
Quotation drawing (component)	C 928 001 47A

Technical data	
No. of poles	31
Color (FA)	Lilac
Secondary lock	None
Type of locking (plug)	With slide
Vibration resistance	2 g
Dimensions (L x W x H)	29.40 x 15.50 x 10.90 mm
Temperature range, min./max.	-40 / 120 °C
Contact spacing	7.6 mm
Row spacing	4.80 mm
Applications	Bodywork attachment
Degree of protection	IP54K, IP69K
Other features (SO)	Audi special version

High-way plug-in connections

31-way plug-in connection

31-way secondary lock

Illustration



Product information

Product code	VHP-31P
Designation	31-way wiring-harness connector
Part number	1 928 403 218
Quotation drawing (assembly)	A 928 000 285
Quotation drawing (component)	C 928 001 48A

Technical data

No. of poles	31
Color (FA)	Lilac
Secondary lock	None
Type of locking (plug)	With slide
Vibration resistance	2 g
Dimensions (L x W x H)	60.20 x 15.50 x 2.20 mm
Temperature range, min./max.	-40 / 120 °C
Applications	Bodywork attachment
Degree of protection	IP 54K, 69K
Other features (SO)	Audi special version

31-way cover

Illustration



Product information

Product code	VHP-31P
Designation	31-way wiring-harness connector
Part number	1 928 403 489
Quotation drawing (assembly)	A 928 000 285
Quotation drawing (component)	C 928 002 00A

Technical data

No. of poles	31
Color (FA)	Black
Outgoing cable direction (KR)	Left/right
Secondary lock	None
Type of locking (plug)	By slide
Vibration resistance	2 g
Dimensions (L x W x H)	79.50 x 26.00 x 33.50 mm
Temperature range, min./max.	-40 / 120 °C
Contact spacing	7.6 mm
Row spacing	4.80 mm
Applications	Bodywork attachment
Degree of protection	IP54K, IP69K

31-way cover

Illustration



Product information

Product code	VHP-31P
Designation	31-way wiring-harness connector
Part number	1 928 403 550
Quotation drawing (assembly)	A 928 000 208
Quotation drawing (component)	C 928 002 06A


Technical data

No. of poles	31
Color (FA)	Black
Outgoing cable direction (KR)	Top
Secondary lock	None
Type of locking (plug)	By slide
Vibration resistance	2 g
Temperature range, min./max.	-40 / 120 °C
Contact spacing	7.6 mm
Row spacing	4.80 mm
Applications	Bodywork attachment
Degree of protection	IP54K, IP69K

High-way plug-in connections

31-way plug-in connection

31-way cover

Illustration	
	
Product information	
Product code	VHP-31P
Designation	31-way wiring-harness connector
Part number	1 928 404 032
Quotation drawing (component)	C 928 002 83A

Technical data	
No. of poles	31
Color (FA)	Black
Outgoing cable direction (KR)	Left/right
Secondary lock	None
Type of locking (plug)	By slide
Vibration resistance	2 g
Dimensions (L x W x H)	62.60 x 25.10 x 29.40 mm
Temperature range, min./max.	-40 / 120 °C
Applications	Bodywork attachment
Degree of protection	IP 54K, 69K

Pre-assembled 31-way contact carrier

Illustration	
	
Product information	
Product code	VHP-31P
Designation	31-way wiring-harness connector
Part number	1 928 404 035
Quotation drawing (component)	D 928 002 75A

Technical data	
No. of poles	31
Encoding	1
Outgoing cable direction (KR)	Left
Secondary lock	Sliding pin
Type of contact	MT2, SPT
Type of locking (plug)	By slide
Vibration resistance	2 g
Dimensions (L x W x H)	82.60 x 31.00 x 43.90 mm
Temperature range, min./max.	-40 / 120 °C
Row spacing	3.00 mm
Applications	Bodywork attachment
Degree of protection	IP 54K, 69K
Comments	Microswitch spring
Other features (SO)	Slide on right

Pre-assembled 31-way contact carrier


Illustration	
	
Product information	
Product code	VHP-31P
Designation	31-way wiring-harness connector
Part number	1 928 404 036
Quotation drawing (component)	D 928 002 75A

Technical data	
No. of poles	31
Encoding	1
Outgoing cable direction (KR)	Right
Secondary lock	Sliding pin
Type of contact	MT2, SPT
Type of locking (plug)	By slide
Vibration resistance	2 g
Dimensions (L x W x H)	82.60 x 31.00 x 43.90 mm
Temperature range, min./max.	-40 / 120 °C
Row spacing	3.00 mm
Applications	Bodywork attachment
Degree of protection	IP 54K, 69K
Comments	Microswitch spring; closed contact cavities 27-31
Other features (SO)	Slide on right

High-way plug-in connections


31-way plug-in connection

Pre-assembled 31-way contact carrier

Illustration	
	
Product information	
Product code	VHP-31P
Designation	31-way wiring-harness connector
Part number	1 928 404 037
Quotation drawing (component)	D 928 002 75A

Technical data	
No. of poles	31
Encoding	1
Outgoing cable direction (KR)	Right
Secondary lock	Sliding pin
Type of contact	MT2, SPT
Type of locking (plug)	By slide
Vibration resistance	2 g
Dimensions (L x W x H)	82.60 x 31.00 x 43.90 mm
Temperature range, min./max.	-40 / 120 °C
Row spacing	3.00 mm
Applications	Bodywork attachment
Degree of protection	IP 54K, 69K
Comments	Microswitch spring
Other features (SO)	Slide on right

Pre-assembled 31-way contact carrier

Illustration	
	
Product information	
Product code	VHP-31P
Designation	31-way wiring-harness connector
Part number	1 928 404 039
Quotation drawing (component)	D 928 002 75A

Technical data	
No. of poles	31
Encoding	1
Outgoing cable direction (KR)	Left
Secondary lock	Sliding pin
Type of contact	MT2, SPT
Type of locking (plug)	By slide
Vibration resistance	2 g
Dimensions (L x W x H)	82.60 x 31.00 x 43.90 mm
Temperature range, min./max.	-40 / 120 °C
Row spacing	3.00 mm
Applications	Bodywork attachment
Degree of protection	IP 54K, 69K
Comments	Microswitch spring
Other features (SO)	Slide on left

Pre-assembled 31-way contact carrier

Illustration	
	
Product information	
Product code	VHP-31P
Designation	31-way wiring-harness connector
Part number	1 928 404 127
Quotation drawing (component)	D 928 002 75A

Technical data	
No. of poles	31
Encoding	1
Outgoing cable direction (KR)	Left
Secondary lock	Sliding pin
Type of contact	MT2,SPT
Type of locking (plug)	By slide
Vibration resistance	2 g
Dimensions (L x W x H)	82.60 x 31.00 x 43.90 mm
Temperature range, min./max.	-40 / 120 °C
Contact spacing	7.6 mm
Row spacing	3.00 mm
Applications	Bodywork attachment
Degree of protection	Ip54K,69K
Comments	Microswitch spring; closed contact cavities
Other features (SO)	Slide on left

High-way plug-in connections

31-way plug-in connection

Pre-assembled 31-way contact carrier

Illustration



Product information

Product code	VHP-31P
Designation	31-way wiring-harness connector
Part number	1 928 404 128
Quotation drawing (component)	D 928 002 75A

Technical data

No. of poles	31
Encoding	1
Outgoing cable direction (KR)	Right
Secondary lock	Sliding pin
Type of contact	MT2,SPT
Type of locking (plug)	By slide
Vibration resistance	2 g
Dimensions (L x W x H)	82.60 x 31.00 x 43.90 mm
Temperature range, min./max.	-40 / 120 °C
Contact spacing	7.6 mm
Row spacing	3.00 mm
Applications	Bodywork attachment
Degree of protection	IP 54K, 69K
Comments	Microswitch spring
Other features (SO)	Slide on left

High-way plug-in connections

35-way plug-in connection

General information

Illustration



Features

- ▶ Sealed plug-in connection
- ▶ Secondary lock
- ▶ Engine-compartment installation
- ▶ Wide range of versions for different installation conditions

Technical description

The 35-way plug-in connection is used for the connection of control units. Various grip-molding designs permit application-specific versions. Sealing by way of an optional rubber grommet at the cable outlet can be dispensed with for less exacting sealing requirements. To make the connection, the wiring-harness connector is swivelled in and locked with a steel lever.

Technical features

- ▶ Vibration resistance: 3 g
- ▶ Temperature range: -40° C...+85° C
- ▶ Degree of sealing: IP 30, 54K
- ▶ Connection cross-sections: 0.5...2.5 mm²
- ▶ Suitable contacts: 2.8 mm flat spring contacts
- ▶ Contact spacing/posts: 5 mm/2.8 mm

All the currently applicable quotation drawings and technical customer documentation for the 35-way plug-in connection product category can be found in the internet under www.bosch-connectors.com.

35-way wiring-harness connector

Illustration



Product information

Product code	VHP-35P
Designation	35-way wiring-harness connector
Part number	0 281 002 999
Quotation drawing (component)	D 281 010 201

Technical data

No. of poles	35
Type of seal (plug)	By an optional rubber grommet at cable outlet
Type of seal (cable)	By an optional rubber grommet at cable outlet
Type of locking (plug)	With steel lever
Vibration resistance	3 g
Temperature range, min./max.	-40 / 85 °C
Contact spacing	5 mm
Row spacing	2.80 mm
Applications	Bodywork attachment
Degree of protection	IP30, IP54K

High-way plug-in connections

35-way plug-in connection

35-way wiring-harness connector

Illustration



Product information

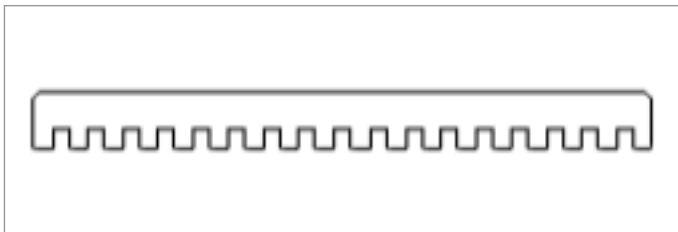
Product code	VHP-35P
Designation	35-way wiring-harness connector
Part number	1 134 486 005
Quotation drawing (component)	1 134 486 005

Technical data

No. of poles	35
Type of seal (plug)	By seals at connector housing
Type of seal (cable)	By an optional rubber grommet at cable outlet
Type of locking (plug)	With steel lever
Vibration resistance	3 g
Temperature range, min./max.	-40 / 85 °C
Contact spacing	5 mm
Row spacing	2.80 mm
Applications	Bodywork attachment

35-way locking element

Illustration



Product information

Product code	VAFK
Designation	General connection systems, external customers
Part number	1 281 099 005
Quotation drawing (component)	C 280 202 198

Technical data

Color (FA)	Lilac
Dimensions (L x W x H)	87.80 x 1.80 x 8.00 mm

Flat contact (AMP)

Illustration



Product information

Product code	KONT
Designation	Contact
Part number	1 284 477 177
Quotation drawing	C 280 209 817

Technical data

Contact surface	Tinned
Wire cross-section	1 - 2.5 mm ²

High-way plug-in connections

35-way plug-in connection

Axial seal

Illustration



Product information

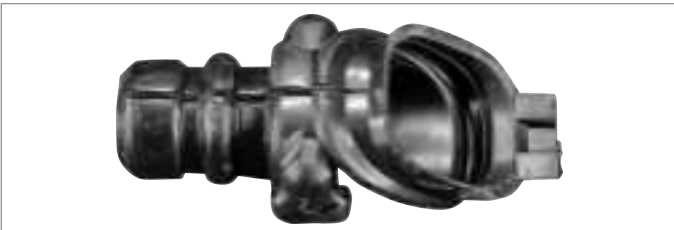
Product code	VDI-DI
Designation	Seal
Part number	1 928 300 182
Quotation drawing (assembly)	A 928 000 130
Quotation drawing (component)	C 280 204 793

Technical data

Color (FA)	Black
Secondary lock	None
Dimensions (L x W x H)	110.50 x 5.00 x 0.40 mm

Sleeve

Illustration



Product information

Product code	VDI-TUE
Designation	Protective cap / sleeve
Part number	1 928 300 245
Quotation drawing (component)	C 261 200 678

Technical data

Color (FA)	Black
Dimensions (L x W x H)	x x 22.00 mm

Sleeve > 20 mm

Illustration



Product information

Product code	VDI-TUE
Designation	Protective cap / sleeve
Part number	1 928 300 271
Quotation drawing (component)	C 261 200 535

Technical data

High-way plug-in connections

35-way plug-in connection

35-way locking element



Product information	
Product code	VHP-35P
Designation	35-way wiring-harness connector
Part number	1 928 400 889
Quotation drawing (assembly)	A 928 000 130
Quotation drawing (component)	C 280 204 853

Technical data	
No. of poles	35
Color (FA)	Neutral
Secondary lock	None
Vibration resistance	3 g
Applications	Bodywork attachment
Other features (SO)	For contacts with no auxiliary steel spring

35-way contact carrier



Product information	
Product code	VHP-35P
Designation	35-way wiring-harness connector
Part number	1 928 400 892
Quotation drawing (assembly)	A 928 000 354
Quotation drawing (component)	C 280 204 816

Technical data	
No. of poles	35
Color (FA)	Black
Secondary lock	None
Type of seal (plug)	By an optional rubber grommet at cable outlet
Type of seal (cable)	By an optional rubber grommet at cable outlet
Type of locking (plug)	With steel lever
Vibration resistance	3 g
Dimensions (L x W x H)	114.00 x 19.80 x 22.00 mm
Temperature range, min./max.	-40 / 85 °C
Contact spacing	5 mm
Row spacing	2.00 mm
Applications	Bodywork attachment

35-way grip molding



Product information	
Product code	VHP-35P
Designation	35-way wiring-harness connector
Part number	1 928 400 895
Quotation drawing (assembly)	A 928 000 354
Quotation drawing (component)	C 280 204 798

Technical data	
No. of poles	35
Color (FA)	Black
Encoding	4
Outgoing cable direction (KR)	Outgoing cable opposite encoding lug
Secondary lock	None
Type of seal (plug)	By an optional rubber grommet at cable outlet
Type of seal (cable)	By an optional rubber grommet at cable outlet
Type of locking (plug)	With steel lever
Vibration resistance	3 g
Dimensions (L x W x H)	175.30 x 28.50 x 42.00 mm
Temperature range, min./max.	-40 / 85 °C
Contact spacing	5 mm
Applications	Bodywork attachment
Comments	(refer also to C280204798A-01)

High-way plug-in connections

35-way plug-in connection

35-way grip molding

Illustration



Product information

Product code	VHP-35P
Designation	35-way wiring-harness connector
Part number	1 928 400 898
Quotation drawing (assembly)	A 928 000 354
Quotation drawing (component)	C 265 101 273

Technical data

Color (FA)	Black
Encoding	1
Outgoing cable direction (KR)	Outgoing cable opposite encoding lug
Secondary lock	None
Type of seal (plug)	By an optional rubber grommet at cable outlet
Type of seal (cable)	By an optional rubber grommet at cable outlet
Type of locking (plug)	With steel lever
Vibration resistance	3 g
Dimensions (L x W x H)	175.30 x 28.50 x 42.00 mm
Temperature range, min./max.	-40 / 85 °C
Contact spacing	5 mm
Applications	Bodywork attachment

35-way grip molding

Illustration



Product information

Product code	VHP-35P
Designation	35-way wiring-harness connector
Part number	1 928 400 899
Quotation drawing (assembly)	A 928 000 354
Quotation drawing (component)	C 928 002 19A

Technical data

No. of poles	35
Color (FA)	Black
Encoding	8
Secondary lock	None
Type of seal (plug)	By an optional rubber grommet at cable outlet
Type of seal (cable)	By an optional rubber grommet at cable outlet
Type of locking (plug)	With steel lever
Vibration resistance	3 g
Dimensions (L x W x H)	175.30 x 28.50 x 42.00 mm
Temperature range, min./max.	-40 / 85 °C
Other features (SO)	PA6.6 glass-fiber reinforced 50% GF

35-way grip molding

Illustration



Product information

Product code	VHP-35P
Designation	35-way wiring-harness connector
Part number	1 928 401 123
Quotation drawing (component)	C 281 010 200

Technical data

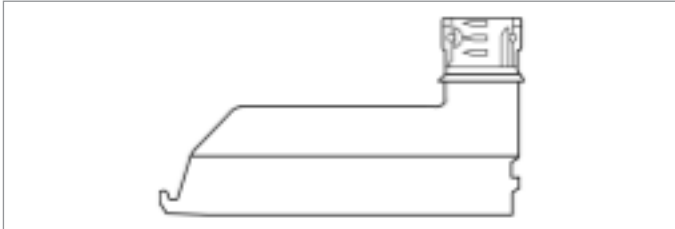
No. of poles	35
Color (FA)	Black
Encoding	10
Outgoing cable direction (KR)	Outgoing cable opposite encoding lug
Secondary lock	None
Type of seal (plug)	By an optional rubber grommet at cable outlet
Type of seal (cable)	By an optional rubber grommet at cable outlet
Type of locking (plug)	With steel lever
Vibration resistance	3 g
Dimensions (L x W x H)	167.50 x 30.50 x 50.50 mm
Temperature range, min./max.	-40 / 85 °C
Contact spacing	5 mm
Applications	Bodywork attachment
Comments	(refer also to C281010200A-01)

High-way plug-in connections

35-way plug-in connection

35-way grip molding

Illustration



Product information

Product code	VHP-35P
Designation	35-way wiring-harness connector
Part number	1 928 401 193
Quotation drawing (component)	C 280 209 899

Technical data

No. of poles	35
Color (FA)	Black
Encoding	4
Outgoing cable direction (KR)	Top
Secondary lock	None
Type of seal (plug)	Optional rubber grommet at cable outlet
Type of seal (cable)	Optional rubber grommet at cable outlet
Type of locking (plug)	By steel lever
Vibration resistance	3 g
Dimensions (L x W x H)	129.80 x 25.00 x 73.00 mm
Temperature range, min./max.	-40 / 85 °C
Contact spacing	5 mm
Row spacing	2.80 mm
Applications	Bodywork attachment
Other features (SO)	Glass-fiber reinforced

Pre-assembled 35-way grip molding

Illustration



Product information

Product code	VHP-35P
Designation	35-way wiring-harness connector
Part number	1 928 401 409
Quotation drawing (assembly)	A 928 000 130
Quotation drawing (component)	D 928 000 60A

Technical data

No. of poles	35
Color (FA)	Black
Encoding	7
Outgoing cable direction (KR)	Outgoing cable above encoding lug
Secondary lock	None
Type of seal (plug)	Optional rubber grommet at cable outlet
Type of seal (cable)	Optional rubber grommet at cable outlet
Type of locking (plug)	With steel lever
Vibration resistance	3 g
Dimensions (L x W x H)	148.00 x 33.00 x 46.00 mm
Temperature range, min./max.	-40 / 85 °C
Contact spacing	5 mm
Row spacing	2.80 mm

35-way locking element

Illustration



Product information

Product code	VHP-35P
Designation	35-way wiring-harness connector
Part number	1 928 401 565
Quotation drawing (assembly)	A 928 000 130
Quotation drawing (component)	C 280 209 637

Technical data

No. of poles	35
Color (FA)	Lilac
Vibration resistance	3 g
Applications	Bodywork attachment
Comments	For contacts with auxiliary steel spring

High-way plug-in connections

35-way plug-in connection

35-way contact carrier

Illustration



Product information

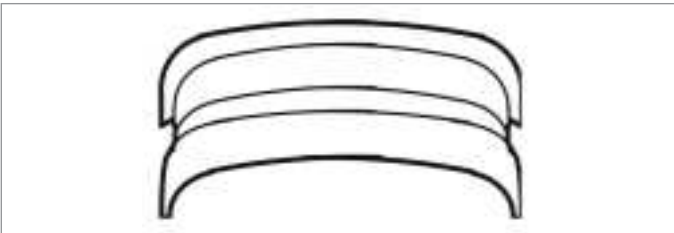
Product code	VHP-35P
Designation	35-way wiring-harness connector
Part number	1 928 401 645
Quotation drawing (assembly)	A 928 000 130, A 928 000 335
Quotation drawing (component)	A 928 401 645

Technical data

No. of poles	35
Color (FA)	Brown
Secondary lock	None
Type of seal (plug)	Optional rubber grommet at cable outlet
Type of seal (cable)	Optional rubber grommet at cable outlet
Type of locking (plug)	With steel lever
Vibration resistance	3 g
Dimensions (L x W x H)	114.00 x 19.80 x 22.00 mm
Temperature range, min./max.	-40 / 85 °C
Contact spacing	5 mm
Row spacing	2.00 mm
Applications	Bodywork attachment
Other features (SO)	For contacts with steel overspring

Clamp-type adapter

Illustration



Product information

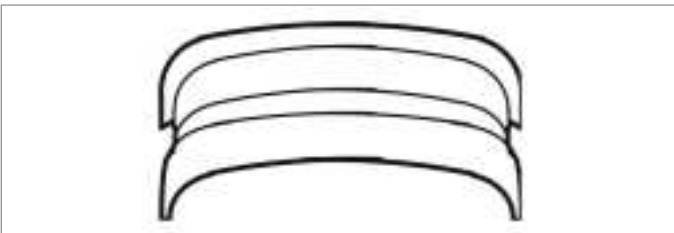
Product code	VHP-35P
Designation	35-way wiring-harness connector
Part number	1 928 401 962
Quotation drawing (assembly)	A 928 000 130
Quotation drawing (component)	C 928 001 24A

Technical data

No. of poles	35
Color (FA)	Black
Secondary lock	None
Type of seal (plug)	By an optional rubber grommet at cable outlet
Type of seal (cable)	By an optional rubber grommet at cable outlet
Type of locking (plug)	With steel lever
Vibration resistance	3 g
Dimensions (L x W x H)	22.00 x 10.50 x 8.50 mm
Temperature range, min./max.	-40 / 85 °C
Contact spacing	5 mm
Row spacing	2.80 mm
Applications	Bodywork attachment
Degree of protection	IP30, IP54K

35/55-way clamp-type adapter

Illustration



Product information

Product code	VHP-35P
Designation	35-way wiring-harness connector
Part number	1 928 401 963
Quotation drawing (assembly)	A 928 000 100, A 928 000 144
Quotation drawing (component)	C 928 001 25A

Technical data

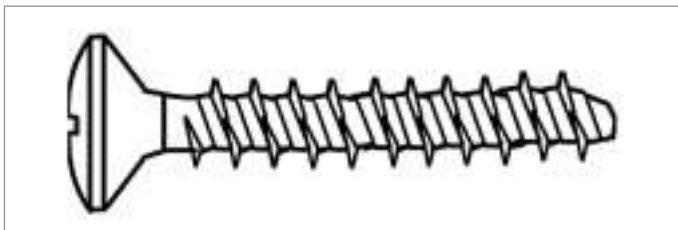
No. of poles	35
Color (FA)	Yellow
Secondary lock	None
Type of seal (plug)	By an optional rubber grommet at cable outlet
Type of seal (cable)	By an optional rubber grommet at cable outlet
Type of locking (plug)	With steel lever
Vibration resistance	3 g
Dimensions (L x W x H)	22.00 x 10.50 x 8.50 mm
Temperature range, min./max.	-40 / 85 °C
Contact spacing	5 mm
Row spacing	2.80 mm
Applications	Bodywork attachment
Degree of protection	IP30, IP54K

High-way plug-in connections

35-way plug-in connection

Special bolt A 3x12

Illustration



Product information

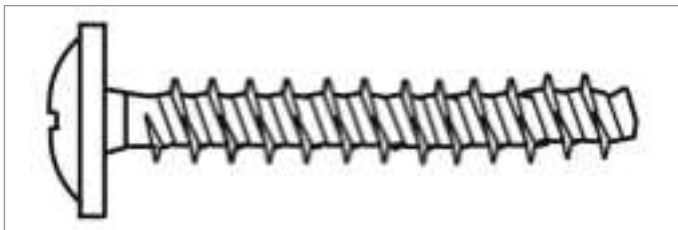
Product code	VHP-55P
Designation	55-way wiring-harness connector
Part number	1 928 491 154
Quotation drawing (component)	C 280 208 033

Technical data

Dimensions (L x W x H)	12.00 x 3.00 x mm
Temperature range, min./max.	-40 / 85 °C

Special bolt B 3x19

Illustration



Product information

Product code	VHP-55P
Designation	55-way wiring-harness connector
Part number	1 928 491 167
Quotation drawing (assembly)	A 928 000 144 and A 928 000 146
Quotation drawing (component)	C 261 200 475A

Technical data

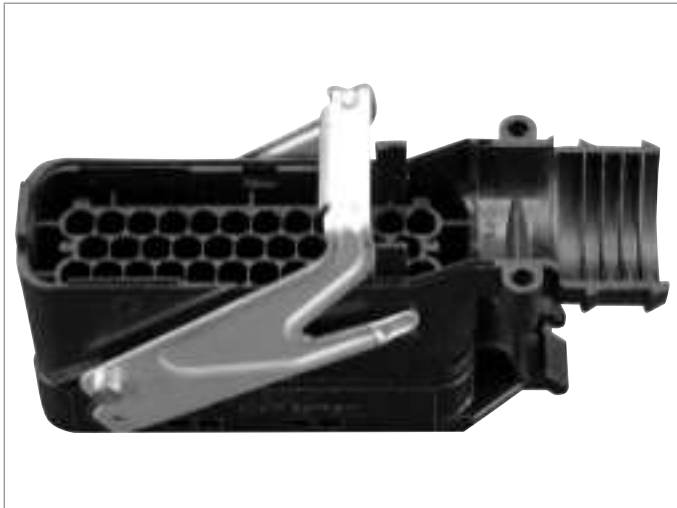
Type of seal (plug)	By an optional rubber grommet at cable outlet
Type of locking (plug)	With steel lever
Vibration resistance	3 g
Dimensions (L x W x H)	19.00 x 3.00 x mm
Temperature range, min./max.	-40 / 85 °C
Contact spacing	5 mm
Row spacing	2.80 mm
Applications	Engine attachment
Degree of protection	IP30, IP54K

High-way plug-in connections

35-way plug-in connection with EAD

General information

Illustration



Features

- ▶ Sealed plug-in connection
- ▶ Secondary lock
- ▶ Suitable for use up to 110°C
- ▶ Softline design
- ▶ Two contact sizes
- ▶ 8 encoding options

Technical description

The 35-way wiring-harness connector is a sturdy plug-in connection for use in the engine compartment.

The plug-in system is immersion-proof and was developed for engine control units in trucks. Use is made of an axial seal for the plug-in connection and individual wire seals for the wiring. The outgoing cable may be routed towards the encoding mounting element. The plug-in connection can only be made with the secondary lock fastened. Pull-in and locking are implemented by way of a metal lever.

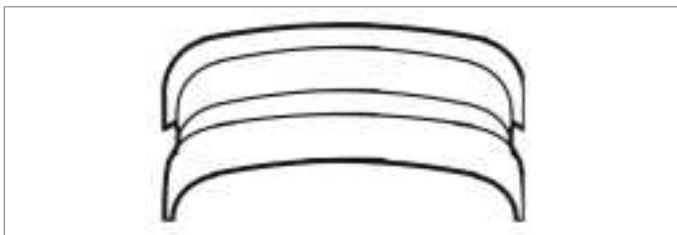
Technical features

- ▶ Vibration resistance: 7 g
- ▶ Temperature range: -40° C...+110° C
- ▶ Degree of sealing: IP X6K, X7, X9K
- ▶ Connection cross-section: 0.35...2.5 mm² (JPT)
- ▶ Suitable contacts: 35x JPT
- ▶ Blade: JPT 2.8 mm

All currently applicable quotation drawings and technical customer documentation for the 35-way plug-in connection with EAD product category can be found in the internet under www.bosch-connectors.com.

Clamp-type adapter

Illustration



Product information

Product code	VHP-35P
Designation	35-way wiring-harness connector
Part number	1 928 401 962
Quotation drawing (assembly)	A 928 000 130
Quotation drawing (component)	C 928 001 24A

Technical data

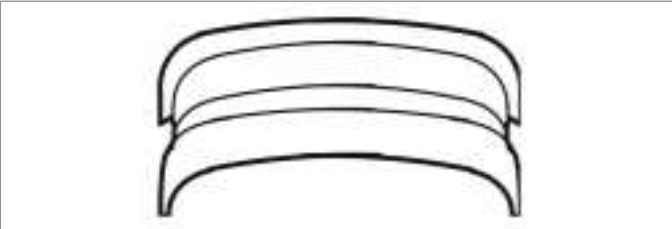
No. of poles	35
Color (FA)	Black
Secondary lock	None
Type of seal (plug)	By an optional rubber grommet at cable outlet
Type of seal (cable)	By an optional rubber grommet at cable outlet
Type of locking (plug)	With steel lever
Vibration resistance	3 g
Dimensions (L x W x H)	22.00 x 10.50 x 8.50 mm
Temperature range, min./max.	-40 / 85 °C
Contact spacing	5 mm
Row spacing	2.80 mm
Applications	Bodywork attachment
Degree of protection	IP30, IP54K

High-way plug-in connections

35-way plug-in connection with EAD

35/55-way clamp-type adapter

Illustration



Product information

Product code	VHP-35P
Designation	35-way wiring-harness connector
Part number	1 928 401 963
Quotation drawing (assembly)	A 928 000 100, A 928 000 144
Quotation drawing (component)	C 928 001 25A

Technical data

No. of poles	35
Color (FA)	Yellow
Secondary lock	None
Type of seal (plug)	By an optional rubber grommet at cable outlet
Type of seal (cable)	By an optional rubber grommet at cable outlet
Type of locking (plug)	With steel lever
Vibration resistance	3 g
Dimensions (L x W x H)	22.00 x 10.50 x 8.50 mm
Temperature range, min./max.	-40 / 85 °C
Contact spacing	5 mm
Row spacing	2.80 mm
Applications	Bodywork attachment
Degree of protection	IP30, IP54K

35-way grip molding cover

Illustration



Product information

Product code	VHP-35P
Designation	35-way wiring-harness connector
Part number	1 928 401 964
Quotation drawing (assembly)	A 928 000 198
Quotation drawing (component)	C 928 001 23A

Technical data

No. of poles	35
Secondary lock	None
Type of seal (plug)	By an optional rubber grommet at cable outlet
Type of seal (cable)	By an optional rubber grommet at cable outlet
Type of locking (plug)	With steel lever
Vibration resistance	3 g
Dimensions (L x W x H)	102.00 x 35.00 x 31.00 mm
Temperature range, min./max.	-40 / 85 °C
Contact spacing	5 mm
Row spacing	2.80 mm
Applications	Bodywork attachment
Degree of protection	IP30, IP54K

Pre-assembled 35-way grip molding

Illustration



Product information

Product code	VHP-35P
Designation	35-way wiring-harness connector
Part number	1 928 401 980
Quotation drawing (assembly)	A 928 000 198
Quotation drawing (component)	D 928 001 08A

Technical data

No. of poles	35
Color (FA)	Black
Encoding	1
Outgoing cable direction (KR)	Outgoing cable above encoding lug
Secondary lock	None
Type of seal (plug)	By an optional rubber grommet at cable outlet
Type of seal (cable)	By an optional rubber grommet at cable outlet
Type of locking (plug)	With steel lever
Vibration resistance	3 g
Dimensions (L x W x H)	102.00 x 35.20 x 50.50 mm
Temperature range, min./max.	-40 / 85 °C
Contact spacing	5 mm
Row spacing	2.80 mm
Applications	Bodywork attachment
Degree of protection	IP30, IP54K

High-way plug-in connections

35-way plug-in connection with EAD

Pre-assembled 35-way grip molding

Illustration



Product information

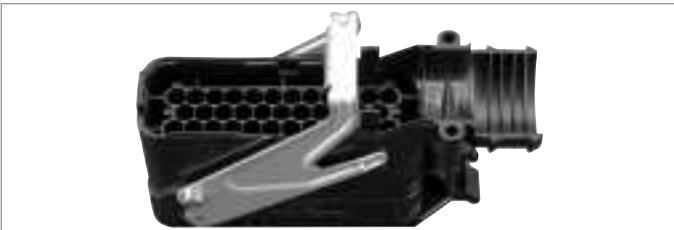
Product code	VHP-35P
Designation	35-way wiring-harness connector
Part number	1 928 401 982
Quotation drawing (assembly)	A 928 000 198
Quotation drawing (component)	D 928 001 08A

Technical data

No. of poles	35
Color (FA)	Black
Encoding	3
Outgoing cable direction (KR)	Outgoing cable above encoding lug
Secondary lock	None
Type of seal (plug)	By an optional rubber grommet at cable outlet
Type of seal (cable)	By an optional rubber grommet at cable outlet
Type of locking (plug)	With steel lever
Vibration resistance	3 g
Dimensions (L x W x H)	102.00 x 35.20 x 50.50 mm
Temperature range, min./max.	-40 / 85 °C
Contact spacing	5 mm
Row spacing	3.00 mm
Applications	Bodywork attachment
Degree of protection	IP30, IP54K

Pre-assembled 35-way grip molding

Illustration



Product information

Product code	VHP-35P
Designation	35-way wiring-harness connector
Part number	1 928 401 984
Quotation drawing (assembly)	A 928 000 198
Quotation drawing (component)	D 928 001 08A

Technical data

No. of poles	35
Color (FA)	Black
Encoding	5
Outgoing cable direction (KR)	Outgoing cable above encoding lug
Secondary lock	None
Type of seal (plug)	By an optional rubber grommet at cable outlet
Type of seal (cable)	By an optional rubber grommet at cable outlet
Type of locking (plug)	With steel lever
Vibration resistance	3 g
Dimensions (L x W x H)	102.00 x 35.20 x 50.50 mm
Temperature range, min./max.	-40 / 85 °C
Contact spacing	5 mm
Row spacing	3.00 mm
Applications	Bodywork attachment
Degree of protection	IP30, IP54K

Pre-assembled 35-way grip molding

Illustration



Product information

Product code	VHP-35P
Designation	35-way wiring-harness connector
Part number	1 928 401 985
Quotation drawing (assembly)	A 928 000 198
Quotation drawing (component)	D 928 001 08A

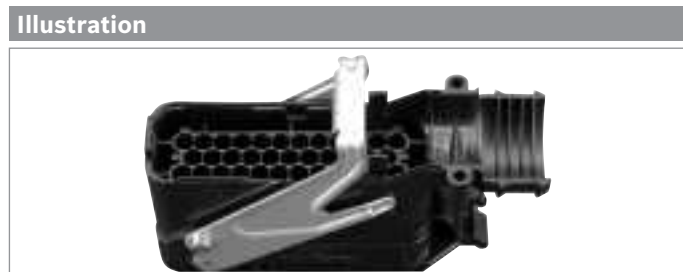
Technical data

No. of poles	35
Color (FA)	Black
Encoding	6
Outgoing cable direction (KR)	Outgoing cable above encoding lug
Secondary lock	None
Type of seal (plug)	By an optional rubber grommet at cable outlet
Type of seal (cable)	By an optional rubber grommet at cable outlet
Type of locking (plug)	With steel lever
Vibration resistance	3 g
Dimensions (L x W x H)	102.00 x 35.20 x 50.50 mm
Temperature range, min./max.	-40 / 85 °C
Contact spacing	5 mm
Row spacing	3.00 mm
Applications	Bodywork attachment
Degree of protection	IP30, IP54K

High-way plug-in connections

35-way plug-in connection with EAD

Pre-assembled 35-way grip molding



Product information

Product code	VHP-35P
Designation	35-way wiring-harness connector
Part number	1 928 401 986
Quotation drawing (assembly)	A 928 000 198
Quotation drawing (component)	D 928 001 08A

Technical data

No. of poles	35
Color (FA)	Black
Encoding	7
Outgoing cable direction (KR)	Outgoing cable above encoding lug
Secondary lock	None
Type of seal (plug)	By an optional rubber grommet at cable outlet
Type of seal (cable)	By an optional rubber grommet at cable outlet
Type of locking (plug)	With steel lever
Vibration resistance	3 g
Dimensions (L x W x H)	102.00 x 35.20 x 50.50 mm
Temperature range, min./max.	-40 / 85 °C
Contact spacing	5 mm
Row spacing	3.00 mm
Applications	Bodywork attachment
Degree of protection	IP30, IP54K

Pre-assembled 35-way grip molding



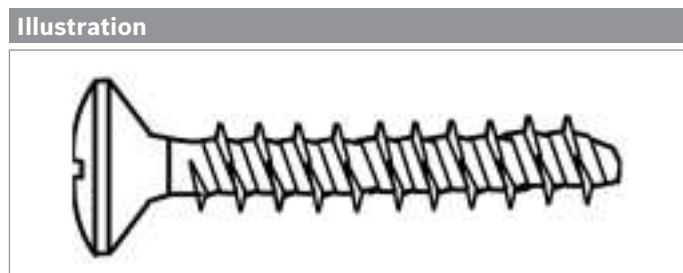
Product information

Product code	VHP-35P
Designation	35-way wiring-harness connector
Part number	1 928 401 987
Quotation drawing (assembly)	A 928 000 198
Quotation drawing (component)	D 928 001 08A

Technical data

No. of poles	35
Color (FA)	Black
Encoding	8
Outgoing cable direction (KR)	Outgoing cable above encoding lug
Secondary lock	None
Type of seal (plug)	By an optional rubber grommet at cable outlet
Type of seal (cable)	By an optional rubber grommet at cable outlet
Type of locking (plug)	With steel lever
Vibration resistance	3 g
Dimensions (L x W x H)	102.00 x 35.20 x 50.50 mm
Temperature range, min./max.	-40 / 85 °C
Contact spacing	5 mm
Row spacing	3.00 mm
Applications	Bodywork attachment
Degree of protection	IP30, IP54K

Special bolt A 3x12



Product information

Product code	VHP-55P
Designation	55-way wiring-harness connector
Part number	1 928 491 154
Quotation drawing (component)	C 280 208 033

Technical data

Dimensions (L x W x H)	12.00 x 3.00 x mm
Temperature range, min./max.	-40 / 85 °C

High-way plug-in connections

38-way plug-in connection

General information

Illustration



Technical description

The 38-way wiring-harness connector is a compact high-way plug-in connection particularly suitable for complex hybrid control units which have to satisfy engine attachment conditions. Use is made of a silica gel seal for the cable. This means there is no need for additional sealing (e.g. dummy plugs) if not all contacts are used (refer to product information on silica gel seal). Pull-in and locking are implemented by way of a metal lever.

Features

- ▶ Sealed plug-in connection
- ▶ For confined spaces
- ▶ Suitable for use up to 130°C
- ▶ Silicone gel seal
- ▶ For high vibration resistance

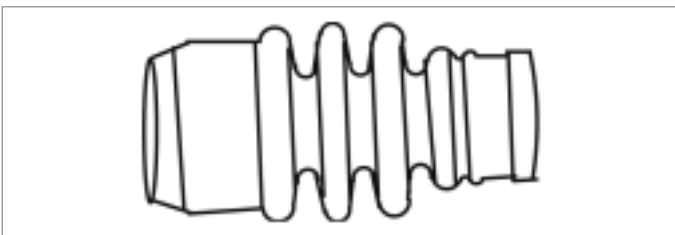
Technical features

- ▶ Vibration resistance: 20 g
- ▶ Temperature range: -40...+130° C
- ▶ Degree of protection: IP 54K, IP 69K
- ▶ Connection cross-sections: 0.5...0.75 mm²
- ▶ Suitable contacts: BMK 0.6
- ▶ Contact spacing/posts: 2.5 mm/0.64 mm

All currently applicable quotation drawings and technical customer documentation for the 38-way plug-in connection product category can be found in the internet under www.bosch-connectors.com.

37/38/64-way sleeve

Illustration



Technical data

Color (FA)	Black
Comments	Grooved tube OD 19 - 24 mm

Product information

Product code	VDI-TUE
Designation	Protective cap / sleeve
Part number	1 928 300 520
Quotation drawing (assembly)	A 928 000 218
Quotation drawing (component)	C 928 001 74A

High-way plug-in connections

38-way plug-in connection

Strap

Illustration



Product information

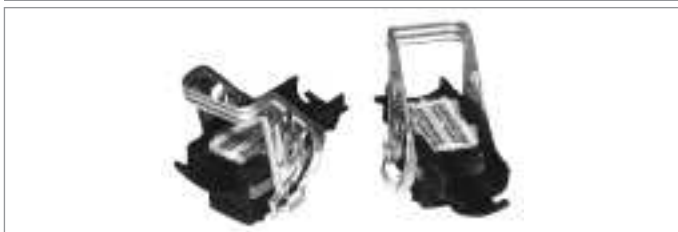
Product code	VAFK
Designation	General connection systems, external customers
Part number	1 928 401 713
Quotation drawing (component)	C 265 152 006

Technical data

Color (FA)	Black
------------	-------

Pre-assembled 38-way grip molding

Illustration



Product information

Product code	VHP-38P
Designation	38-way wiring-harness connector
Part number	1 928 403 304
Quotation drawing (assembly)	A 928 000 218
Quotation drawing (component)	D 928 001 02A

Technical data

No. of poles	38
Color (FA)	Black
Encoding	1
Outgoing cable direction (KR)	Left
Secondary lock	None
Type of contact	BMK 0.6
Type of seal (cable)	Silicone gel seal
Type of locking (plug)	By metal lever
Vibration resistance	20 g
Dimensions (L x W x H)	64.90 x 31.90 x 39.20 mm
Temperature range, min./max.	-40 / 130 °C
Contact spacing	2.5 mm
Row spacing	4.00 mm
Applications	Engine attachment
Degree of protection	IP54K, IP69K

38-way cover

Illustration



Product information

Product code	VHP-38P
Designation	38-way wiring-harness connector
Part number	1 928 403 316
Quotation drawing (assembly)	A 928 000 218
Quotation drawing (component)	C 928 001 15A

Technical data

No. of poles	38
Color (FA)	Black
Outgoing cable direction (KR)	Left/right
Secondary lock	None
Type of seal (cable)	Silicone gel seal
Type of locking (plug)	By metal lever
Vibration resistance	20 g
Dimensions (L x W x H)	53.60 x 24.50 x 17.55 mm
Temperature range, min./max.	-40 / 130 °C
Contact spacing	2.5 mm
Row spacing	0.64 mm
Applications	Engine attachment
Degree of protection	IP54K, IP69K

High-way plug-in connections

38-way plug-in connection

Sliding pin

Illustration



Product information

Product code	VHP-38P
Designation	38-way wiring-harness connector
Part number	1 928 403 319
Quotation drawing (assembly)	A 928 000 458
Quotation drawing (component)	C 928 001 75A

Technical data

No. of poles	38
Color (FA)	Lilac
Secondary lock	None
Type of seal (cable)	Silicone gel seal
Type of locking (plug)	By metal lever
Vibration resistance	20 g
Dimensions (L x W x H)	30.85 x 16.20 x 3.00 mm
Temperature range, min./max.	-40 / 130 °C
Contact spacing	2.5 mm
Row spacing	0.64 mm
Applications	Engine attachment
Degree of protection	IP54K, IP69K

Pre-assembled 38-way grip molding

Illustration



Product information

Product code	VHP-38P
Designation	38-way wiring-harness connector
Part number	1 928 403 820
Quotation drawing (assembly)	A 928 000 218
Quotation drawing (component)	D 928 001 02A

Technical data

No. of poles	38
Color (FA)	Black
Encoding	1
Outgoing cable direction (KR)	Right
Secondary lock	None
Type of contact	BMK 0.6
Type of seal (cable)	Silicone gel seal
Type of locking (plug)	By metal lever
Vibration resistance	20 g
Dimensions (L x W x H)	64.90 x 31.90 x 39.20 mm
Temperature range, min./max.	-40 / 130 °C
Contact spacing	2.5 mm
Row spacing	4.00 mm
Applications	Bodywork attachment
Degree of protection	IPX4K, IPX9K

Pre-assembled 38-way grip molding

Illustration



Product information

Product code	VHP-38P
Designation	38-way wiring-harness connector
Part number	1 928 403 822
Quotation drawing (assembly)	A 928 000 218
Quotation drawing (component)	D 928 001 02A

Technical data

No. of poles	38
Color (FA)	Black
Encoding	8
Outgoing cable direction (KR)	Right
Secondary lock	None
Type of contact	BMK 0.6
Type of seal (cable)	Silicone gel seal
Type of locking (plug)	By metal lever
Vibration resistance	20 g
Dimensions (L x W x H)	64.90 x 31.90 x 39.20 mm
Temperature range, min./max.	-40 / 130 °C
Contact spacing	2.5 mm
Row spacing	4.00 mm
Applications	Bodywork attachment
Degree of protection	IP 54K;69K

High-way plug-in connections

38-way plug-in connection

Transportation safeguard

Illustration



Product information

Product code	VHP-38P-C
Designation	38-way wiring-harness connector
Part number	1 928 403 974
Quotation drawing (assembly)	A 928 000 458
Quotation drawing (component)	C 928 002 71A

Technical data

No. of poles	38
Secondary lock	None
Type of seal (cable)	Silicone gel seal
Type of locking (plug)	By metal lever
Vibration resistance	20 g
Dimensions (L x W x H)	37.30 x 25.30 x 18.90 mm
Temperature range, min./max.	-40 / 130 °C
Contact spacing	2.5 mm
Row spacing	0.64 mm
Applications	Engine attachment
Degree of protection	IP54K, IP69K

High-way plug-in connections

40-way plug-in connection

40-way cover

Illustration



Product information

Product code	VHP-121P-40P
Designation	121-way wiring-harness connector
Part number	1 928 403 467
Quotation drawing (assembly)	A 928 000 321
Quotation drawing (component)	C 928 001 95A

Technical data

No. of poles	40
Color (FA)	Black
Outgoing cable direction (KR)	Flat on slide side
Secondary lock	None
Type of seal (cable)	Silicone gel seal and individual wire seal
Type of locking (plug)	By slide
Vibration resistance	6 g
Dimensions (L x W x H)	54.90 x 29.80 x 16.60 mm
Temperature range, min./max.	-40 / 105 °C
Contact spacing	5 mm
Row spacing	2.80 mm
Applications	Bodywork attachment
Degree of protection	IP 54K; 66K; 69K
Comments	WW

40-way cover

Illustration



Product information

Product code	VHP-121P-40P
Designation	121-way wiring-harness connector
Part number	1 928 403 511
Quotation drawing (assembly)	A 928 000 321
Quotation drawing (component)	C 928 002 04A

Technical data

No. of poles	40
Color (FA)	Black
Outgoing cable direction (KR)	45° at top opposite slide, color: black
Secondary lock	None
Type of seal (cable)	Silicone gel seal and individual wire seal
Type of locking (plug)	With a slide
Vibration resistance	6 g
Dimensions (L x W x H)	58.10 x 29.80 x 24.10 mm
Temperature range, min./max.	-40 / 105 °C
Contact spacing	5 mm
Row spacing	2.80 mm
Applications	Bodywork attachment
Degree of protection	IP 54K; 66K; 69K
Comments	WW

40-way cover

Illustration



Product information

Product code	VHP-121P-40P
Designation	121-way wiring-harness connector
Part number	1 928 404 203
Quotation drawing (assembly)	A 928 000 321
Quotation drawing (component)	C 928 003 17A

Technical data

No. of poles	40
Color (FA)	Black
Outgoing cable direction (KR)	Across slide 15° on side
Secondary lock	None
Type of seal (cable)	Silicone gel seal and individual wire seal
Type of locking (plug)	By slide
Vibration resistance	6 g
Dimensions (L x W x H)	70.00 x 32.00 x 25.00 mm
Temperature range, min./max.	-40 / 105 °C
Contact spacing	5 mm
Applications	Bodywork attachment
Degree of protection	IP 54K; 66K; 69K

High-way plug-in connections

40-way plug-in connection

40-way contact carrier

Illustration



Product information

Product code	VHP-121P-40P
Designation	121-way wiring-harness connector
Part number	1 928 404 543
Quotation drawing (assembly)	A 928 000 321
Quotation drawing (component)	D 928 001 45A

Technical data

No. of poles	40
Encoding	0-F
Secondary lock	Sliding pin
Type of contact	BMK 0.6, JPT
Type of seal (cable)	Silicone gel seal and individual wire seal
Type of locking (plug)	By slide
Vibration resistance	6 g
Dimensions (L x W x H)	66.00 x 36.00 x 32.00 mm
Temperature range, min./max.	-40 / 105 °C
Contact spacing	5 mm
Row spacing	4.00 mm
Applications	Bodywork attachment
Degree of protection	IP54K, IP69K
Other features (SO)	Module for SV 121-way, sec. lock JPT pre-assembled, better grip, FA = black

40-way cover

Illustration



Product information

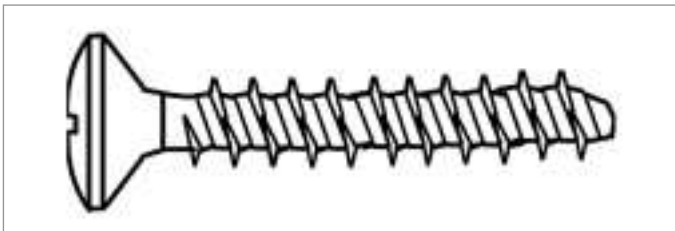
Product code	VHP-40P
Designation	40-way wiring-harness connector
Part number	1 928 404 637
Quotation drawing (assembly)	A 928 000 321
Quotation drawing (component)	C 928 003 33A

Technical data

No. of poles	40
Color (FA)	Black
Type of seal (cable)	Silicone seal and individual wire seal
Type of locking (plug)	Via a slide
Vibration resistance	6 g
Temperature range, min./max.	-40 / 105 °C
Contact spacing	5 mm
Row spacing	2.80 mm
Applications	Engine attachment
Degree of protection	IP 54K; 66K; 69K

Special bolt A 3x12

Illustration



Product information

Product code	VHP-55P
Designation	55-way wiring-harness connector
Part number	1 928 491 154
Quotation drawing (component)	C 280 208 033

Technical data

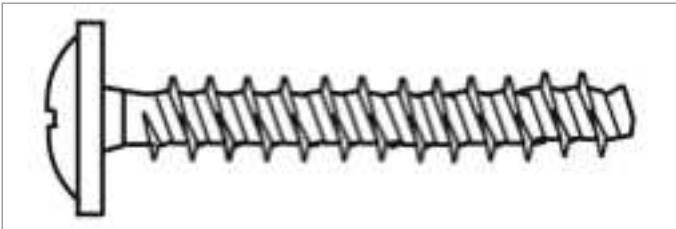
Dimensions (L x W x H)	12.00 x 3.00 x mm
Temperature range, min./max.	-40 / 85 °C

High-way plug-in connections

40-way plug-in connection

Special bolt B 3x19

Illustration



Product information

Product code	VHP-55P
Designation	55-way wiring-harness connector
Part number	1 928 491 167
Quotation drawing (assembly)	A 928 000 144 and A 928 000 146
Quotation drawing (component)	C 261 200 475A

Technical data

Type of seal (plug)	By an optional rubber grommet at cable outlet
Type of locking (plug)	With steel lever
Vibration resistance	3 g
Dimensions (L x W x H)	19.00 x 3.00 x mm
Temperature range, min./max.	-40 / 85 °C
Contact spacing	5 mm
Row spacing	2.80 mm
Applications	Engine attachment
Degree of protection	IP30, IP54K

High-way plug-in connections

42-way plug-in connection

General information

Illustration



Features

- ▶ Sealed plug-in connection
- ▶ Secondary lock
- ▶ Suitable for use up to 130°C
- ▶ Softline design
- ▶ Three contact sizes
- ▶ Optional operating lever

Technical description

The 42-way wiring-harness connector is a sturdy plug-in connection for bodywork attachment in the engine compartment. The plug-in system is immersion-proof and was developed for ABS systems. Use is made of a radial seal for the plug-in connection and individual wire seals for the wiring. The locking slide and the outgoing cable can both be on the right or left. The plug-in connection can only be made with the secondary lock fastened. Pull-in and locking are implemented By slide. A version with operating lever is optionally available to reduce the operating force, for example when fully assigned.

Technical features

- ▶ Vibration resistance: 10 g
- ▶ Temperature range: -40° C...+130° C
- ▶ Degree of sealing: IP 54K, 67, 69K
- ▶ Connection cross-sections:
 - 0.5...4 mm² (SPT)
 - 0.2...2.5 mm² (JPT)
 - 0.35...1 mm² (MT2)
- ▶ Suitable contacts:
 - 2x SPT with individual wire seal
 - 4x JPT with individual wire seal
 - 36x MT2 with individual wire seal
- ▶ Blade: SPT 4.8 mm / JPT 2.8 mm / MT2 1.6 mm

All currently applicable quotation drawings and technical customer documentation for the 42-way plug-in connection product category can be found in the internet under www.bosch-connectors.com.

42-way cover

Illustration



Product information

Product code	VHP-42P
Designation	42-way wiring-harness connector
Part number	1 928 403 938
Quotation drawing (assembly)	A 928 000 449
Quotation drawing (component)	C 928 002 70A

Technical data

No. of poles	42
Color (FA)	Black
Outgoing cable direction (KR)	Left/right
Type of seal (plug)	Radial seal
Type of seal (cable)	Individual wire seal
Type of locking (plug)	By slide
Option	With operating lever for full assignment
Vibration resistance	10 g
Temperature range, min./max.	-40 / 130 °C
Applications	Bodywork attachment
Degree of protection	IP 54K; 67K; 69K

High-way plug-in connections

42-way plug-in connection

42-way pre-assembled cover

Illustration



Product information

Product code	VHP-42P
Designation	42-way wiring-harness connector
Part number	1 928 403 939
Quotation drawing (assembly)	A 928 000 449
Quotation drawing (component)	D 928 002 61A

Technical data

No. of poles	42
Outgoing cable direction (KR)	Left/right
Type of seal (plug)	Radial seal
Type of seal (cable)	Individual wire seal
Type of locking (plug)	By slide
Option	With operating lever for full assignment
Vibration resistance	10 g
Temperature range, min./max.	-40 / 130 °C
Applications	Bodywork attachment
Degree of protection	IP 54K; 67K; 69K

42-way pre-assembled cover

Illustration



Product information

Product code	VHP-42P
Designation	42-way wiring-harness connector
Part number	1 928 403 940
Quotation drawing (assembly)	A 928 000 449
Quotation drawing (component)	D 928 002 61A

Technical data

No. of poles	42
Outgoing cable direction (KR)	Left/right
Type of seal (plug)	Radial seal
Type of seal (cable)	Individual wire seal
Type of locking (plug)	By slide
Option	With operating lever for full assignment
Vibration resistance	10 g
Temperature range, min./max.	-40 / 130 °C
Applications	Bodywork attachment
Degree of protection	IP 54K; 67K; 69K

Pre-assembled 42-way contact carrier

Illustration



Product information

Product code	VHP-42P
Designation	42-way wiring-harness connector
Part number	1 928 403 941
Quotation drawing (assembly)	A 928 000 449
Quotation drawing (component)	D 928 002 62A


Technical data

No. of poles	42
Outgoing cable direction (KR)	Left/right
Type of seal (plug)	Radial seal
Type of seal (cable)	Individual wire seal
Type of locking (plug)	By slide
Option	With operating lever for full assignment
Vibration resistance	10 g
Temperature range, min./max.	-40 / 130 °C
Applications	Bodywork attachment
Degree of protection	IP 54K; 67K; 69K

High-way plug-in connections


42-way plug-in connection

Pre-assembled 42-way contact carrier

Illustration	
	
Product information	
Product code	VHP-42P
Designation	42-way wiring-harness connector
Part number	1 928 403 942
Quotation drawing (assembly)	A 928 000 449
Quotation drawing (component)	D 928 002 62A


Technical data	
No. of poles	42
Outgoing cable direction (KR)	Left/right
Type of seal (plug)	Radial seal
Type of seal (cable)	Individual wire seal
Type of locking (plug)	By slide
Option	With operating lever for full assignment
Vibration resistance	10 g
Temperature range, min./max.	-40 / 130 °C
Applications	Bodywork attachment
Degree of protection	IP 54K; 67K; 69K

Pre-assembled 42-way contact carrier

Illustration	
	
Product information	
Product code	VHP-42P
Designation	42-way wiring-harness connector
Part number	1 928 403 943
Quotation drawing (assembly)	A 928 000 449
Quotation drawing (component)	D 928 002 62A

Technical data	
No. of poles	42
Outgoing cable direction (KR)	Left/right
Type of seal (plug)	Radial seal
Type of seal (cable)	Individual wire seal
Type of locking (plug)	By slide
Option	With operating lever for full assignment
Vibration resistance	10 g
Temperature range, min./max.	-40 / 130 °C
Applications	Bodywork attachment
Degree of protection	IP 54K; 67K; 69K

42-way wiring-harness connector

Illustration	
	
Product information	
Product code	VHP-42P
Designation	42-way wiring-harness connector
Part number	1 928 404 077
Quotation drawing (assembly)	A 928 000 449
Quotation drawing (component)	D 928 002 62A

Technical data	
No. of poles	42
Type of seal (plug)	Radial seal
Type of seal (cable)	Individual wire seal
Type of locking (plug)	By slide
Vibration resistance	10 g
Temperature range, min./max.	-40 / 130 °C
Applications	Bodywork attachment

High-way plug-in connections

42-way plug-in connection

42-way wiring-harness connector

Illustration



Product information

Product code	VHP-42P
Designation	42-way wiring-harness connector
Part number	1 928 404 078
Quotation drawing (assembly)	A 928 000 449
Quotation drawing (component)	D 928 002 62A

Technical data

No. of poles	42
Type of seal (plug)	Radial seal
Type of seal (cable)	Individual wire seal
Type of locking (plug)	By slide
Vibration resistance	10 g
Temperature range, min./max.	-40 / 130 °C
Applications	Bodywork attachment

42-way wiring-harness connector

Illustration



Product information

Product code	VHP-42P
Designation	42-way wiring-harness connector
Part number	1 928 404 079
Quotation drawing (assembly)	A 928 000 449
Quotation drawing (component)	D 928 002 62A

Technical data

No. of poles	42
Type of seal (plug)	Radial seal
Type of seal (cable)	Individual wire seal
Type of locking (plug)	By slide
Vibration resistance	10 g
Temperature range, min./max.	-40 / 130 °C
Applications	Bodywork attachment

42-way wiring-harness connector

Illustration



Product information

Product code	VHP-42P
Designation	42-way wiring-harness connector
Part number	1 928 404 080
Quotation drawing (assembly)	A 928 000 449
Quotation drawing (component)	D 928 002 62A

Technical data

No. of poles	42
Type of seal (plug)	Radial seal
Type of seal (cable)	Individual wire seal
Type of locking (plug)	By slide
Vibration resistance	10 g
Temperature range, min./max.	-40 / 130 °C
Applications	Bodywork attachment

High-way plug-in connections

42-way plug-in connection

42-way wiring-harness connector



Product information

Product code	VHP-42P
Designation	42-way wiring-harness connector
Part number	1 928 404 081
Quotation drawing (assembly)	A 928 000 449
Quotation drawing (component)	D 928 002 62A

Technical data

No. of poles	42
Type of seal (plug)	Radial seal
Type of seal (cable)	Individual wire seal
Type of locking (plug)	By slide
Vibration resistance	10 g
Temperature range, min./max.	-40 / 130 °C
Applications	Bodywork attachment

42-way wiring-harness connector



Product information

Product code	VHP-42P
Designation	42-way wiring-harness connector
Part number	1 928 404 082
Quotation drawing (assembly)	A 928 000 449
Quotation drawing (component)	D 928 002 62A

Technical data

No. of poles	42
Type of seal (plug)	Radial seal
Type of seal (cable)	Individual wire seal
Type of locking (plug)	By slide
Vibration resistance	10 g
Temperature range, min./max.	-40 / 130 °C
Applications	Bodywork attachment

42-way wiring-harness connector



Product information

Product code	VHP-42P
Designation	42-way wiring-harness connector
Part number	1 928 404 083
Quotation drawing (assembly)	A 928 000 449
Quotation drawing (component)	D 928 002 62A

Technical data

No. of poles	42
Type of seal (plug)	Radial seal
Type of seal (cable)	Individual wire seal
Type of locking (plug)	By slide
Vibration resistance	10 g
Temperature range, min./max.	-40 / 130 °C
Applications	Bodywork attachment

High-way plug-in connections

43-way plug-in connection

General information

Illustration



Features

- ▶ Sealed plug-in connection
- ▶ Secondary lock
- ▶ Suitable for use up to 105°C
- ▶ Softline design
- ▶ Two contact sizes
- ▶ 8 encoding options

Technical description

The 43-way wiring-harness connector is a sturdy plug-in connection for use in the engine compartment. The plug-in system is immersion-proof and was developed for engine control units in trucks. An axial seal is used for the plug-in connection and individual wire seals for the wiring. The outgoing cables can be on the right or left. The plug-in connection can only be made with the secondary lock fastened. A metal lever is used for pull-in and locking.

Technical features

- ▶ Vibration resistance: 6 g
- ▶ Temperature range: -40° C...+105° C
- ▶ Degree of sealing: IP X6K, X7, X9K, 6KX (dust)
- ▶ Connection cross-section:
 - 0.35...2.5 mm² (JPT)
 - 0.35...1 mm² (MT2)
- ▶ Suitable contacts:
 - 15x JPT
 - 28x MT2
- ▶ Blade: JPT 2.8 mm / MT2 1.6 mm

All currently applicable quotation drawings and technical customer documentation for the 43-way plug-in connection product category can be found in the internet under www.bosch-connectors.com.

43-way cover

Illustration



Product information

Product code	VHP-43P
Designation	43-way wiring-harness connector
Part number	1 928 403 335
Quotation drawing (assembly)	A 928 000 282
Quotation drawing (component)	C 928 001 88A


Technical data

No. of poles	43
Color (FA)	Black
Outgoing cable direction (KR)	Left/right
Secondary lock	None
Type of seal (plug)	Axial seal
Type of seal (cable)	Individual wire seal
Type of locking (plug)	By metal lever
Vibration resistance	6 g
Dimensions (L x W x H)	77.70 x 26.20 x 39.60 mm
Temperature range, min./max.	-40 / 105 °C
Applications	Engine attachment

High-way plug-in connections


43-way plug-in connection

Pre-assembled 43-way grip molding

Illustration	
	
Product information	
Product code	VHP-43P
Designation	43-way wiring-harness connector
Part number	1 928 403 340
Quotation drawing (assembly)	A 928 000 282
Quotation drawing (component)	D 928 001 26A


Technical data	
No. of poles	43
Color (FA)	Black
Encoding	6
Secondary lock	Locking plate
Type of contact	MT II and JPT
Type of seal (plug)	Axial seal
Type of seal (cable)	Individual wire seal
Type of locking (plug)	By metal lever
Vibration resistance	6 g
Dimensions (L x W x H)	88.30 x 35.20 x 29.00 mm
Temperature range, min./max.	-40 / 105 °C
Row spacing	4.00 mm
Applications	Engine attachment
Degree of protection	IP66K, IP69K

Pre-assembled 43-way grip molding

Illustration	
	
Product information	
Product code	VHP-43P
Designation	43-way wiring-harness connector
Part number	1 928 403 341
Quotation drawing (assembly)	A 928 000 282
Quotation drawing (component)	D 928 001 26A

Technical data	
No. of poles	43
Color (FA)	Black
Encoding	8
Secondary lock	Locking plate
Type of contact	MT II and JPT
Type of seal (plug)	Axial seal
Type of seal (cable)	Individual wire seal
Type of locking (plug)	By metal lever
Vibration resistance	6 g
Dimensions (L x W x H)	88.30 x 35.20 x 29.00 mm
Temperature range, min./max.	-40 / 105 °C
Row spacing	4.00 mm
Applications	Engine attachment
Degree of protection	IP66K, IP69K

Pre-assembled 43-way grip molding

Illustration	
	
Product information	
Product code	VHP-43P
Designation	43-way wiring-harness connector
Part number	1 928 403 419
Quotation drawing (assembly)	A 928 000 282
Quotation drawing (component)	D 928 001 26A

Technical data	
No. of poles	43
Color (FA)	Black
Encoding	2
Secondary lock	Locking plate
Type of contact	MT II and JPT
Type of seal (plug)	Axial seal
Type of seal (cable)	Individual wire seal
Type of locking (plug)	By metal lever
Vibration resistance	6 g
Dimensions (L x W x H)	88.30 x 35.20 x 29.00 mm
Temperature range, min./max.	-40 / 105 °C
Row spacing	4.00 mm
Applications	Bodywork attachment
Degree of protection	IP66K, IP69K

High-way plug-in connections

43-way plug-in connection

Pre-assembled 43-way grip molding

Illustration



Product information

Product code	VHP-43P
Designation	43-way wiring-harness connector
Part number	1 928 403 421
Quotation drawing (assembly)	A 928 000 282
Quotation drawing (component)	D 928 001 26A

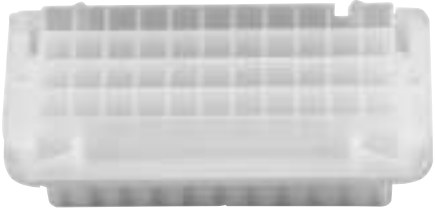
Technical data

No. of poles	43
Color (FA)	Black
Encoding	4
Secondary lock	None
Type of contact	MT II and JPT
Type of seal (plug)	Axial seal
Type of seal (cable)	Individual wire seal
Type of locking (plug)	With lever
Vibration resistance	6 g
Dimensions (L x W x H)	88.30 x 35.20 x 29.00 mm
Temperature range, min./max.	-40 / 105 °C
Row spacing	4.00 mm
Applications	Bodywork attachment
Degree of protection	IP66K, IP69K

High-way plug-in connections


38/44-way plug-in connection

44-way contact carrier

Illustration	
	
Product information	
Product code	VHP-38P-C
Designation	38-way wiring-harness connector
Part number	1 928 401 810
Quotation drawing (component)	A 928 401 810


Technical data	
No. of poles	44
Color (FA)	Neutral
Secondary lock	None
Type of contact	JPT
Type of seal (plug)	With silicone gel seal
Type of seal (cable)	With silicone gel seal
Type of locking (plug)	With metal lever
Vibration resistance	20 g
Dimensions (L x W x H)	68.10 x 30.00 x 24.80 mm
Temperature range, min./max.	-40 / 130 °C
Contact spacing	2.5 mm
Row spacing	4.00 mm
Applications	Engine attachment
Degree of protection	IP 54K, 69K

Pre-assembled 38/44-way grip molding

Illustration	
	
Product information	
Product code	VHP-38P-C
Designation	38-way wiring-harness connector
Part number	1 928 402 874
Quotation drawing (component)	D 928 000 83A

Technical data	
No. of poles	44
Color (FA)	Black
Encoding	7
Outgoing cable direction (KR)	Outgoing cable above encoding lug
Secondary lock	None
Type of seal (cable)	Silicone gel seal
Type of locking (plug)	Metal lever
Dimensions (L x W x H)	79.50 x 42.20 x 43.50 mm
Other features (SO)	Not ribbed

38-way contact carrier

Illustration	
	
Product information	
Product code	VHP-38P-C
Designation	38-way wiring-harness connector
Part number	1 928 402 887
Quotation drawing (component)	D 928 000 89A

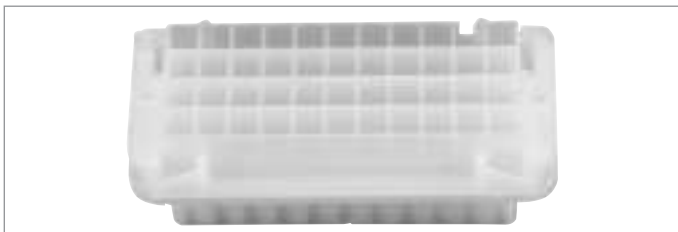
Technical data	
No. of poles	38
Color (FA)	Neutral
Secondary lock	None
Type of contact	JPT
Type of seal (cable)	Silicone gel seal
Type of locking (plug)	Metal lever
Vibration resistance	20 g
Dimensions (L x W x H)	68.10 x 30.00 x 24.80 mm
Temperature range, min./max.	-40 / 130 °C
Contact spacing	2.5 mm
Row spacing	4.00 mm
Applications	Engine attachment
Degree of protection	IP 54K, 69K
Comments	Illustration shows 44-way contact carrier (same design).

High-way plug-in connections

38/44-way plug-in connection

44-way contact carrier

Illustration



Technical data

No. of poles	44
Color (FA)	Neutral
Secondary lock	None
Type of contact	JPT
Dimensions (L x W x H)	68.10 x 30.00 x 25.60 mm
Row spacing	4.00 mm

Product information

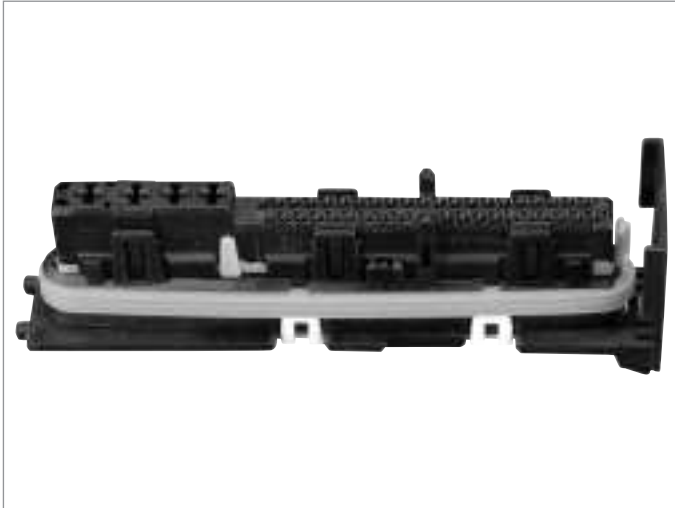
Product code	VAFK
Designation	General connection systems, external customers
Part number	1 928 402 889
Quotation drawing (component)	D 928 000 88A

High-way plug-in connections

46-way plug-in connection (GD)

General information

Illustration



Features

- ▶ Sealed plug-in connection
- ▶ Low insertion force
- ▶ Integrated secondary lock
- ▶ Silicone gel seal (GD) and individual wire seal
- ▶ High-current contacts
- ▶ Signal-current contacts

Technical description

The 46-way wiring-harness connector is a compact high-way plug-in connection for ASR/ESP control units. A silicone gel seal (BMK 0.6) or individual wire seals (MCP 2.8) are used for the cable. Thanks to the gel seal, no additional sealing (e.g. dummy plugs) is required for non-used signal pins (BMK 0.6) (refer to product information on silicone gel seal). A lever/claw system is used for pull-in and locking.

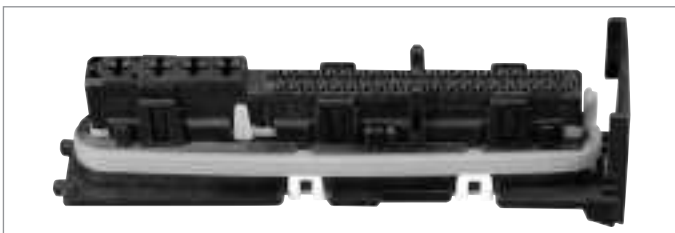
Technical features

- ▶ Vibration resistance: 3 g
- ▶ Temperature range: -40° C...+120° C
- ▶ Degree of protection: IP X4K, X6K, X9K
- ▶ Connection cross-sections:
 - 1.5...4.0 mm² (MCP 2.8)
 - 0.5...0.75 mm² (BMK 0.6)
- ▶ Suitable contacts:
 - 4x MCP 2.8 with individual wire seal
 - 42x BMK 0.6
- ▶ Contact spacing/posts BMK 0.6: 2.5 mm x 3.5 mm/0.63 mm

All currently applicable quotation drawings and technical customer documentation for the 46-way plug-in connection (GD) product category can be found in the internet under www.bosch-connectors.com.

Pre-assembled 46-way contact carrier

Illustration



Technical data

No. of poles	46
Outgoing cable direction (KR)	Left
Type of seal (cable)	Silicone gel seal/individual wire seal
Type of locking (plug)	Using a lever/claw system
Vibration resistance	3 g
Temperature range, min./max.	-40 / 120 °C
Contact spacing	2.5 mm
Applications	Bodywork attachment
Degree of protection	IP X 4,6,9 K

Product information

Product code	VHP-46P
Designation	46-way wiring-harness connector
Part number	1 928 404 563
Quotation drawing (assembly)	A 928 000 632
Quotation drawing (component)	D 928 003 15A

High-way plug-in connections

46-way plug-in connection (GD)

Pre-assembled 46-way contact carrier with protective cap

Illustration



Product information

Product code	VHP-46P
Designation	46-way wiring-harness connector
Part number	1 928 404 564
Quotation drawing (assembly)	A 928 000 632
Quotation drawing (component)	D 928 003 15A

Technical data

No. of poles	46
Outgoing cable direction (KR)	Left
Type of seal (plug)	Radial seal
Type of seal (cable)	BMK 0.6: Silicone gel seal; MCP 2.8: Individual wire seal
Type of locking (plug)	Using a lever/claw system
Vibration resistance	3 g
Temperature range, min./max.	-40 / 120 °C
Contact spacing	2.5 mm
Applications	Bodywork attachment
Degree of protection	IP X 4,6,9 K

Pre-assembled 46-way grip molding

Illustration



Product information

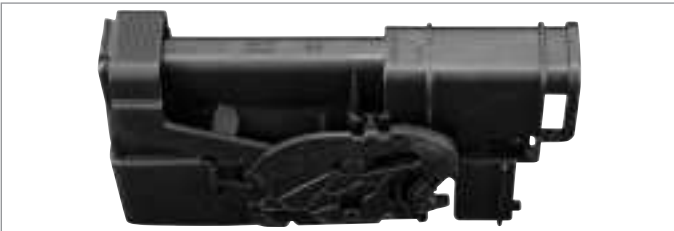
Product code	VHP-46P
Designation	46-way wiring-harness connector
Part number	1 928 404 566
Quotation drawing (assembly)	A 928 000 632
Quotation drawing (component)	D 928 003 16A

Technical data

No. of poles	46
Outgoing cable direction (KR)	Left
Type of seal (plug)	Radial seal
Type of seal (cable)	BMK 0.6: Silicone gel seal; MCP 2.8: Individual wire seal
Type of locking (plug)	Using a lever/claw system
Vibration resistance	3 g
Temperature range, min./max.	-40 / 120 °C
Contact spacing	2.5 mm
Applications	Bodywork attachment
Degree of protection	IP X 4,6,9 K

Pre-assembled 46-way grip molding

Illustration



Product information

Product code	VHP-46P
Designation	46-way wiring-harness connector
Part number	1 928 404 621
Quotation drawing (assembly)	A 928 000 632
Quotation drawing (component)	D 928 003 16A

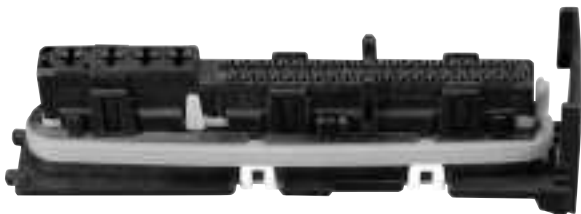
Technical data

No. of poles	46
Outgoing cable direction (KR)	Right
Type of seal (plug)	Radial seal
Type of seal (cable)	BMK 0.6: Silicone gel seal; MCP 2.8: Individual wire seals
Type of locking (plug)	Using a lever/claw system
Vibration resistance	3 g
Temperature range, min./max.	-40 / 120 °C
Contact spacing	2.5 mm
Applications	Bodywork attachment
Degree of protection	IP X 4,6,9 K

High-way plug-in connections


46-way plug-in connection (GD)

Pre-assembled 46-way contact carrier

Illustration	
	
Product information	
Product code	VHP-46P
Designation	46-way wiring-harness connector
Part number	1 928 404 623
Quotation drawing (assembly)	A 928 000 632
Quotation drawing (component)	D 928 003 15A


Technical data	
No. of poles	46
Outgoing cable direction (KR)	Right
Type of seal (plug)	Radial seal
Type of seal (cable)	BMK 0.6: Silicone gel seal; MCP 2.8: individual wire seal
Type of locking (plug)	Using a lever/claw system
Vibration resistance	3 g
Temperature range, min./max.	-40 / 120 °C
Contact spacing	2.5 mm
Applications	Bodywork attachment
Degree of protection	IP X 4,6,9 K

Pre-assembled 46-way contact carrier with protective cap

Illustration	
	
Product information	
Product code	VHP-46P
Designation	46-way wiring-harness connector
Part number	1 928 404 624
Quotation drawing (assembly)	A 928 000 632
Quotation drawing (component)	D 928 003 15A

Technical data	
No. of poles	46
Outgoing cable direction (KR)	Right
Type of seal (plug)	Radial seal
Type of seal (cable)	BMK 0.6: Silicone gel seal; MCP 2.8: individual wire seal
Type of locking (plug)	Using a lever/claw system
Vibration resistance	3 g
Temperature range, min./max.	-40 / 120 °C
Contact spacing	2.5 mm
Row spacing	0.63 mm
Applications	Bodywork attachment
Degree of protection	IP X 4,6,9 K

46-way grip molding

Illustration	
	
Product information	
Product code	VHP-46P
Designation	46-way wiring-harness connector
Part number	1 928 404 880
Quotation drawing (assembly)	A 928 000 632
Quotation drawing (component)	D 928 003 16A

Technical data	
No. of poles	46
Encoding	1
Outgoing cable direction (KR)	Top
Type of seal (plug)	Radial seal
Type of seal (cable)	BMK 0.6: Silicone gel seal; MCP 2.8: Individual wire seal
Type of locking (plug)	Using a lever/claw system
Vibration resistance	3 g
Dimensions (L x W x H)	114.50 x 29.00 x 65.10 mm
Temperature range, min./max.	-40 / 120 °C
Contact spacing	2.5 mm
Applications	Bodywork attachment
Degree of protection	IP X 4,6,9 K

High-way plug-in connections

55-way plug-in connection

General information

Illustration



Features

- ▶ Sealed plug-in connection
- ▶ Secondary locking possible
- ▶ Engine-compartment installation
- ▶ Wide range of versions for different installation conditions

Technical description

The 55-way plug-in connection is used for the connection of Motronic control units. Two grip-molding designs permit application-specific versions. Sealing by way of an optional rubber grommet at the cable outlet can be dispensed with for less-exacting sealing requirements. To make the connection, the wiring-harness connector is swivelled in and locked with a steel lever.

Technical features

- ▶ Vibration resistance: 2.8 g
- ▶ Temperature range: -40...+85° C
- ▶ Degree of protection: IP 30, IP 54K
- ▶ Connection cross-sections: 0.35...2.5 mm²
- ▶ Suitable contacts: 2.8 mm flat spring contact
- ▶ Contact spacing/posts: 5 mm/2.8 mm

All currently applicable quotation drawings and technical customer documentation for the 55-way plug-in connection product category can be found in the internet under www.bosch-connectors.com.

55-way wiring-harness connector

Illustration



Product information

Product code	VHP-55P
Designation	55-way wiring-harness connector
Part number	0 928 400 205
Quotation drawing (assembly)	A 928 000 144
Quotation drawing (component)	A 928 000 146


Technical data

No. of poles	55
Type of seal (plug)	By an optional rubber grommet at cable outlet
Type of seal (cable)	By an optional rubber grommet at cable outlet
Type of locking (plug)	With steel lever
Vibration resistance	3 g
Temperature range, min./max.	-40 / 85 °C
Contact spacing	5 mm
Row spacing	2.80 mm
Applications	Bodywork attachment
Degree of protection	IP30, IP54K

High-way plug-in connections


55-way plug-in connection

55-way wiring-harness connector

Illustration	
	
Product information	
Product code	VHP-55P
Designation	55-way wiring-harness connector
Part number	0 928 400 261
Quotation drawing (assembly)	A 928 000 144
Quotation drawing (component)	D 281 010 694


Technical data	
No. of poles	55
Type of seal (plug)	By an optional rubber grommet at cable outlet
Type of seal (cable)	By an optional rubber grommet at cable outlet
Type of locking (plug)	With steel lever
Vibration resistance	3 g
Temperature range, min./max.	-40 / 85 °C
Contact spacing	5 mm
Row spacing	2.80 mm
Applications	Bodywork attachment
Degree of protection	IP30, IP54K

Sleeve

Illustration	
	
Product information	
Product code	VDI-TUE
Designation	Protective cap / sleeve
Part number	1 928 300 245
Quotation drawing (component)	C 261 200 678

Technical data	
Color (FA)	Black
Dimensions (L x W x H)	x x 22.00 mm

55-way seal

Illustration	
	
Product information	
Product code	VDI-DI
Designation	Seal
Part number	1 928 300 246
Quotation drawing (assembly)	A 928 000 144
Quotation drawing (component)	C 261 200 474

Technical data	
No. of poles	55
Color (FA)	Black
Secondary lock	None
Dimensions (L x W x H)	100.00 x 19.00 x 0.40 mm

High-way plug-in connections

55-way plug-in connection

Sleeve > 20 mm

Illustration



Product information

Product code	VDI-TUE
Designation	Protective cap / sleeve
Part number	1 928 300 271
Quotation drawing (component)	C 261 200 535

Technical data

Strap

Illustration



Product information

Product code	VAFK
Designation	General connection systems, external customers
Part number	1 928 401 280
Quotation drawing (component)	C 280 208 198

Technical data

Color (FA)	Black
Secondary lock	None
Dimensions (L x W x H)	126.00 x 2.80 x 4.00 mm
Other features (SO)	Lock, parallel

Cable clamp

Illustration



Product information

Product code	VHP-55P
Designation	55-way wiring-harness connector
Part number	1 928 401 299
Quotation drawing (assembly)	A 928 000 144
Quotation drawing (component)	C 261 200 476

Technical data

Color (FA)	Black
Secondary lock	None
Dimensions (L x W x H)	34.20 x 33.00 x 11.50 mm

High-way plug-in connections

55-way plug-in connection

Pre-assembled 55-way grip molding

Illustration



Product information

Product code	VHP-55P
Designation	55-way wiring-harness connector
Part number	1 928 401 300
Quotation drawing (assembly)	A 928 000 144
Quotation drawing (component)	D 928 000 70A

Technical data

No. of poles	55
Color (FA)	Black
Encoding	4
Outgoing cable direction (KR)	Outgoing cable above encoding lug
Secondary lock	None
Type of locking (plug)	With steel lever
Vibration resistance	3 g
Dimensions (L x W x H)	146.00 x 33.00 x 46.00 mm
Temperature range, min./max.	-40 / 85 °C
Contact spacing	5 mm
Applications	Bodywork attachment

Pre-assembled 55-way grip molding

Illustration



Product information

Product code	VHP-55P
Designation	55-way wiring-harness connector
Part number	1 928 401 308
Quotation drawing (assembly)	A 928 000 029
Quotation drawing (component)	D 928 000 70A

Technical data

No. of poles	55
Color (FA)	Black
Encoding	12
Outgoing cable direction (KR)	Outgoing cable above encoding lug
Secondary lock	None
Type of locking (plug)	With steel lever
Vibration resistance	3 g
Dimensions (L x W x H)	146.00 x 33.00 x 46.00 mm
Temperature range, min./max.	-40 / 85 °C
Contact spacing	5 mm
Row spacing	2.80 mm
Applications	Bodywork attachment

Pre-assembled 55-way grip molding

Illustration



Product information

Product code	VHP-55P
Designation	55-way wiring-harness connector
Part number	1 928 401 310
Quotation drawing (assembly)	A 928 000 029
Quotation drawing (component)	D 281 000 70A


Technical data

No. of poles	55
Color (FA)	Black
Encoding	10
Outgoing cable direction (KR)	Outgoing cable above encoding lug
Secondary lock	None
Type of locking (plug)	With steel lever
Vibration resistance	3 g
Dimensions (L x W x H)	146.00 x 33.00 x 46.00 mm
Temperature range, min./max.	-40 / 85 °C
Contact spacing	5 mm
Row spacing	2.80 mm
Applications	Bodywork attachment

High-way plug-in connections


55-way plug-in connection

55-way contact carrier

Illustration	
	
Product information	
Product code	VHP-55P
Designation	55-way wiring-harness connector
Part number	1 928 401 316
Quotation drawing (assembly)	A 928 000 144 + A 928 000 146
Quotation drawing (component)	D 261 200 473


Technical data	
No. of poles	55
Color (FA)	Neutral
Secondary lock	Locking plate
Type of contact	JT/JPT
Type of seal (plug)	By an optional rubber grommet at cable outlet
Type of seal (cable)	By an optional rubber grommet at cable outlet
Type of locking (plug)	With steel lever
Vibration resistance	3 g
Dimensions (L x W x H)	104.00 x 22.00 x 21.80 mm
Temperature range, min./max.	-40 / 85 °C
Contact spacing	5 mm
Row spacing	3.00 mm
Applications	Bodywork attachment
Degree of protection	IP 30

55-way wiring-harness connector

Illustration	
	
Product information	
Product code	VHP-55P
Designation	55-way wiring-harness connector
Part number	1 928 401 383
Quotation drawing (assembly)	A 928 000 146
Quotation drawing (component)	D 928 000 71A

Technical data	
No. of poles	55
Type of seal (plug)	Optional rubber grommet at cable outlet
Type of seal (cable)	Optional rubber grommet at cable outlet
Type of locking (plug)	With steel lever
Vibration resistance	3 g
Temperature range, min./max.	-40 / 85 °C
Contact spacing	5 mm
Row spacing	2.80 mm
Applications	Bodywork attachment
Degree of protection	IP30, IP54K

Pre-assembled 55-way grip molding


Illustration	
	
Product information	
Product code	VHP-55P
Designation	55-way wiring-harness connector
Part number	1 928 401 387
Quotation drawing (assembly)	A 928 000 146
Quotation drawing (component)	D 928 000 71A

Technical data	
No. of poles	55
Color (FA)	Black
Encoding	12
Outgoing cable direction (KR)	Outgoing cable opposite encoding lug
Secondary lock	None
Type of locking (plug)	With steel lever
Vibration resistance	3 g
Dimensions (L x W x H)	160.00 x 33.00 x 45.00 mm
Temperature range, min./max.	-40 / 85 °C
Contact spacing	5 mm
Row spacing	2.80 mm
Applications	Bodywork attachment

High-way plug-in connections


55-way plug-in connection

Pre-assembled 55-way grip molding

Illustration	
	
Product information	
Product code	VHP-55P
Designation	55-way wiring-harness connector
Part number	1 928 401 389
Quotation drawing (assembly)	A 928 000 146
Quotation drawing (component)	D 281 010 733


Technical data	
No. of poles	55
Color (FA)	Black
Encoding	10
Outgoing cable direction (KR)	Outgoing cable opposite encoding lug
Secondary lock	None
Type of locking (plug)	With steel lever
Vibration resistance	3 g
Dimensions (L x W x H)	160.00 x 33.00 x 45.00 mm
Temperature range, min./max.	-40 / 85 °C
Contact spacing	5 mm
Row spacing	2.80 mm
Applications	Bodywork attachment

Cable clamp

Illustration	
	
Product information	
Product code	VHP-55P
Designation	55-way wiring-harness connector
Part number	1 928 401 403
Quotation drawing (assembly)	A 928 000 144
Quotation drawing (component)	C 261 200 534

Technical data	
Secondary lock	None
Type of seal (plug)	Optional rubber grommet at cable outlet
Type of seal (cable)	Optional rubber grommet at cable outlet
Type of locking (plug)	With steel lever
Vibration resistance	3 g
Dimensions (L x W x H)	17.00 x 33.00 x 12.50 mm
Temperature range, min./max.	-40 / 85 °C
Contact spacing	5 mm
Row spacing	2.80 mm
Applications	Bodywork attachment

Clamp

Illustration	
	
Product information	
Product code	VHP-55P
Designation	55-way wiring-harness connector
Part number	1 928 401 453
Quotation drawing (assembly)	A 928 000 144
Quotation drawing (component)	C 261 200 649

Technical data	
Color (FA)	Black
Secondary lock	None
Type of seal (plug)	Optional rubber grommet at cable outlet
Type of seal (cable)	Optional rubber grommet at cable outlet
Type of locking (plug)	With steel lever
Vibration resistance	3 g
Dimensions (L x W x H)	34.20 x 33.00 x 11.50 mm
Temperature range, min./max.	-40 / 85 °C
Contact spacing	5 mm
Row spacing	2.80 mm
Applications	Bodywork attachment
Degree of protection	IP30, IP54K

High-way plug-in connections

55-way plug-in connection

Cable clamp

Illustration



Product information

Product code	VHP-55P
Designation	55-way wiring-harness connector
Part number	1 928 401 460
Quotation drawing (assembly)	A 928 000 144
Quotation drawing (component)	C 261 200 650

Technical data

Color (FA)	Black
Secondary lock	None
Type of seal (plug)	Optional rubber grommet at cable outlet
Type of seal (cable)	Optional rubber grommet at cable outlet
Type of locking (plug)	With steel lever
Vibration resistance	3 g
Dimensions (L x W x H)	17.00 x 33.00 x 12.50 mm
Temperature range, min./max.	-40 / 85 °C
Contact spacing	5 mm
Row spacing	2.80 mm
Applications	Bodywork attachment

55-way contact carrier

Illustration



Product information

Product code	VHP-55P
Designation	55-way wiring-harness connector
Part number	1 928 401 625
Quotation drawing (assembly)	A 928 000 144 + A 928 000 146
Quotation drawing (component)	D 261 204 134

Technical data

No. of poles	55
Color (FA)	Black
Secondary lock	Locking plate
Type of contact	JT/JPT
Type of seal (plug)	Optional rubber grommet at cable outlet
Type of seal (cable)	Optional rubber grommet at cable outlet
Type of locking (plug)	With steel lever
Vibration resistance	3 g
Dimensions (L x W x H)	104.00 x 22.00 x 21.80 mm
Temperature range, min./max.	-40 / 85 °C
Contact spacing	5 mm
Row spacing	3.00 mm
Applications	Bodywork attachment

Pre-assembled 55-way grip molding

Illustration



Product information

Product code	VHP-55P
Designation	55-way wiring-harness connector
Part number	1 928 401 676
Quotation drawing (assembly)	A 928 000 144
Quotation drawing (component)	D 928 000 72A

Technical data

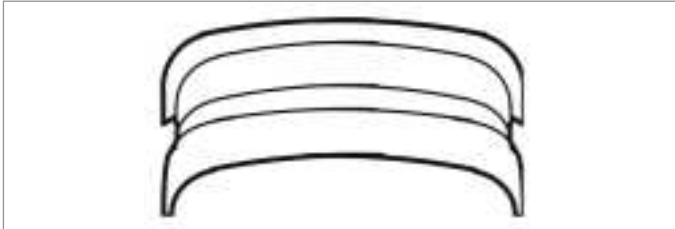
No. of poles	55
Color (FA)	Black
Encoding	1
Outgoing cable direction (KR)	Outgoing cable above encoding lug
Secondary lock	None
Type of seal (plug)	Optional rubber grommet at cable outlet
Type of seal (cable)	Optional rubber grommet at cable outlet
Type of locking (plug)	With steel lever
Vibration resistance	3 g
Dimensions (L x W x H)	198.00 x 31.50 x 44.00 mm
Temperature range, min./max.	-40 / 85 °C
Contact spacing	5 mm
Row spacing	2.80 mm
Applications	Bodywork attachment
Degree of protection	IP30, IP54K
Comments	KU=MB 000 545 4581

High-way plug-in connections

55-way plug-in connection

Clamp-type adapter

Illustration



Product information

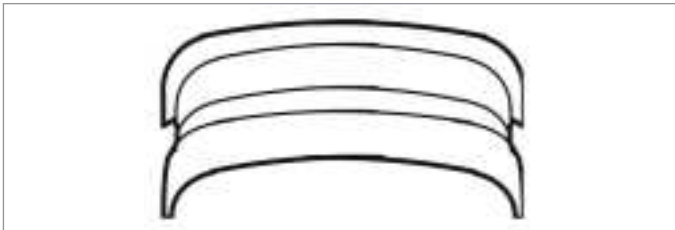
Product code	VHP-35P
Designation	35-way wiring-harness connector
Part number	1 928 401 962
Quotation drawing (assembly)	A 928 000 130
Quotation drawing (component)	C 928 001 24A

Technical data

No. of poles	35
Color (FA)	Black
Secondary lock	None
Type of seal (plug)	By an optional rubber grommet at cable outlet
Type of seal (cable)	By an optional rubber grommet at cable outlet
Type of locking (plug)	With steel lever
Vibration resistance	3 g
Dimensions (L x W x H)	22.00 x 10.50 x 8.50 mm
Temperature range, min./max.	-40 / 85 °C
Contact spacing	5 mm
Row spacing	2.80 mm
Applications	Bodywork attachment
Degree of protection	IP30, IP54K

35/55-way clamp-type adapter

Illustration



Product information

Product code	VHP-35P
Designation	35-way wiring-harness connector
Part number	1 928 401 963
Quotation drawing (assembly)	A 928 000 100, A 928 000 144
Quotation drawing (component)	C 928 001 25A

Technical data

No. of poles	35
Color (FA)	Yellow
Secondary lock	None
Type of seal (plug)	By an optional rubber grommet at cable outlet
Type of seal (cable)	By an optional rubber grommet at cable outlet
Type of locking (plug)	With steel lever
Vibration resistance	3 g
Dimensions (L x W x H)	22.00 x 10.50 x 8.50 mm
Temperature range, min./max.	-40 / 85 °C
Contact spacing	5 mm
Row spacing	2.80 mm
Applications	Bodywork attachment
Degree of protection	IP30, IP54K

Pre-assembled 55-way grip molding

Illustration



Product information

Product code	VHP-55P
Designation	55-way wiring-harness connector
Part number	1 928 402 146
Quotation drawing (assembly)	A 928 000 144
Quotation drawing (component)	D 928 000 63A

Technical data

No. of poles	55
Color (FA)	Black
Encoding	10
Outgoing cable direction (KR)	Outgoing cable above encoding lug
Secondary lock	None
Type of seal (plug)	By an optional rubber grommet at cable outlet
Type of seal (cable)	By an optional rubber grommet at cable outlet
Type of locking (plug)	With steel lever
Vibration resistance	3 g
Dimensions (L x W x H)	126.00 x 33.00 x 52.60 mm
Temperature range, min./max.	-40 / 85 °C
Contact spacing	5 mm
Row spacing	2.80 mm
Applications	Bodywork attachment
Degree of protection	IP30, IP54K

High-way plug-in connections

55-way plug-in connection

55-way wiring-harness connector

Illustration



Product information

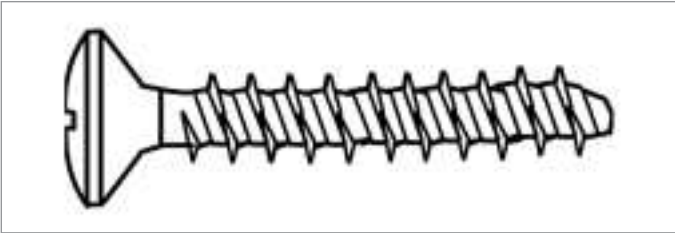
Product code	VHP-55P
Designation	55-way wiring-harness connector
Part number	1 928 402 950
Quotation drawing (assembly)	A 928 000 144
Quotation drawing (component)	D 928 001 00A

Technical data

No. of poles	55
Type of seal (plug)	By an optional rubber grommet at cable outlet
Type of seal (cable)	By an optional rubber grommet at cable outlet
Type of locking (plug)	With steel lever
Vibration resistance	3 g
Temperature range, min./max.	-40 / 85 °C
Contact spacing	5 mm
Row spacing	2.80 mm
Applications	Bodywork attachment
Degree of protection	IP30, IP54K

Special bolt A 3x12

Illustration



Product information

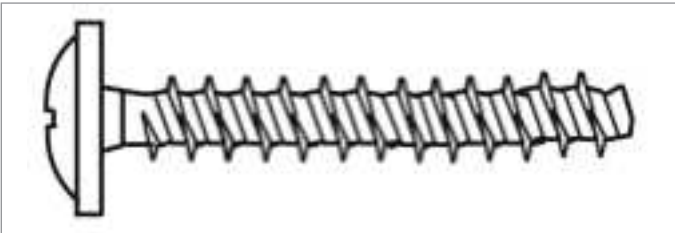
Product code	VHP-55P
Designation	55-way wiring-harness connector
Part number	1 928 491 154
Quotation drawing (component)	C 280 208 033

Technical data

Dimensions (L x W x H)	12.00 x 3.00 x mm
Temperature range, min./max.	-40 / 85 °C

Special bolt B 3x19

Illustration



Product information

Product code	VHP-55P
Designation	55-way wiring-harness connector
Part number	1 928 491 167
Quotation drawing (assembly)	A 928 000 144 and A 928 000 146
Quotation drawing (component)	C 261 200 475A

Technical data

Type of seal (plug)	By an optional rubber grommet at cable outlet
Type of locking (plug)	With steel lever
Vibration resistance	3 g
Dimensions (L x W x H)	19.00 x 3.00 x mm
Temperature range, min./max.	-40 / 85 °C
Contact spacing	5 mm
Row spacing	2.80 mm
Applications	Engine attachment
Degree of protection	IP30, IP54K

High-way plug-in connections

55/83-way plug-in connection

General information

Illustration



Features

- ▶ Secondary locking possible
- ▶ Versions for outgoing cable on either left or right
- ▶ With microswitch spring

Technical description

The 55/83-way plug-in connection is used for the connection of ABS control units. Grip moldings with various outgoing cable directions are available. The plug-in connection is suitable for splashproof installation. To make the connection, the wiring harness connector is swivelled in and locked with a steel lever.

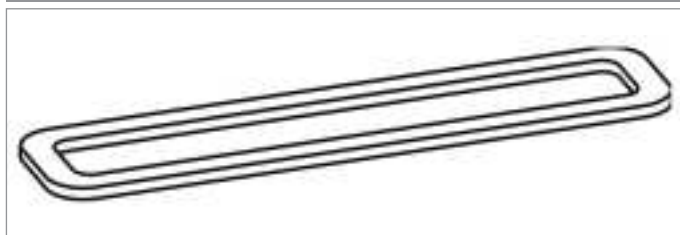
Technical features

- ▶ Vibration resistance: 2.8 g
- ▶ Temperature range: -40° C...+85° C
- ▶ Degree of sealing: IP 30
- ▶ Connection cross-sections:
 - 0.35...2.5 mm² (2.8 mm contact)
 - 0.35...0.75 mm² (1.6 mm contact)
- ▶ Suitable contacts:
 - 26x 2.8 mm flat spring contacts
 - 57x 1.6 mm flat spring contacts
- ▶ Contact spacing/posts:
 - 2.8 mm contact: 5 mm/2.8 mm
 - 1.6 mm contact: 3.25 mm/1.6 mm

All currently applicable quotation drawings and technical customer documentation for the 55/83-way plug-in connection product category can be found in the internet under www.bosch-connectors.com.

Seal

Illustration



Product information

Product code	VDI-DI
Designation	Seal
Part number	1 928 300 283
Quotation drawing (component)	C 928 002 09A

Technical data

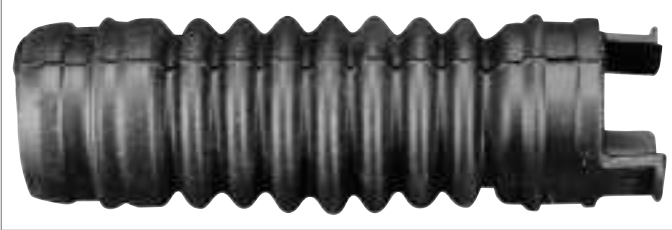
Other features (SO) For 83/88-way wiring-harness connector

High-way plug-in connections

55/83-way plug-in connection

88-way sleeve

Illustration



Product information

Product code	VDI-TUE
Designation	Protective cap / sleeve
Part number	1 928 300 471
Quotation drawing (component)	C 928 001 20A

Technical data

No. of poles	88
Color (FA)	Black
Secondary lock	None
Dimensions (L x W x H)	100.30 x 31.50 x 31.50 mm
Other features (SO)	Sealed

83-way contact carrier

Illustration



Product information

Product code	VHP-83P
Designation	83-way wiring-harness connector
Part number	1 928 402 160
Quotation drawing (assembly)	A 928 000 030
Quotation drawing (component)	D 928 000 29A

Technical data

No. of poles	83
Color (FA)	Neutral
Secondary lock	None
Type of contact	JPT, MT 1
Type of locking (plug)	With steel lever
Vibration resistance	3 g
Dimensions (L x W x H)	124.50 x 21.80 x 21.80 mm
Temperature range, min./max.	-40 / 85 °C
Contact spacing	5 mm
Row spacing	3.00 mm
Applications	Bodywork attachment
Degree of protection	IP 30

Pre-assembled 55/83-way grip molding

Illustration



Product information

Product code	VHP-83P
Designation	83-way wiring-harness connector
Part number	1 928 402 198
Quotation drawing (assembly)	A 928 000 029
Quotation drawing (component)	D 928 001 55A


Technical data

No. of poles	83
Color (FA)	Black
Encoding	21
Outgoing cable direction (KR)	Outgoing cable above encoding lug
Secondary lock	None
Type of locking (plug)	With steel lever
Vibration resistance	3 g
Dimensions (L x W x H)	162.00 x 30.00 x 46.00 mm
Temperature range, min./max.	-40 / 85 °C
Contact spacing	5 mm
Row spacing	2.80 mm
Applications	Bodywork attachment
Degree of protection	IP 30

High-way plug-in connections


55/83-way plug-in connection

Pre-assembled 55/83-way grip molding

Illustration	
	
Product information	
Product code	VHP-83P
Designation	83-way wiring-harness connector
Part number	1 928 402 199
Quotation drawing (assembly)	A 928 000 029
Quotation drawing (component)	D 928 001 55A


Technical data	
No. of poles	83
Color (FA)	Black
Encoding	22
Outgoing cable direction (KR)	Outgoing cable above encoding lug
Secondary lock	None
Type of locking (plug)	With steel lever
Vibration resistance	3 g
Dimensions (L x W x H)	162.00 x 30.00 x 46.00 mm
Temperature range, min./max.	-40 / 85 °C
Contact spacing	5 mm
Row spacing	2.80 mm
Applications	Bodywork attachment
Degree of protection	IP 30

83-way contact carrier

Illustration	
	
Product information	
Product code	VHP-83P
Designation	83-way wiring-harness connector
Part number	1 928 402 768
Quotation drawing (assembly)	A 928 000 574
Quotation drawing (component)	D 928 000 29A

Technical data	
No. of poles	83
Secondary lock	None
Type of contact	JPT, MT 1
Type of locking (plug)	With steel lever
Vibration resistance	3 g
Dimensions (L x W x H)	124.50 x 21.80 x 21.80 mm
Temperature range, min./max.	-40 / 85 °C
Contact spacing	5 mm
Row spacing	3.00 mm
Applications	Bodywork attachment
Degree of protection	IP30

88-way tubular connection

Illustration	
	
Product information	
Product code	VHP-88P
Designation	88-way wiring-harness connector
Part number	1 928 403 075
Quotation drawing (assembly)	A 928 000 027
Quotation drawing (component)	D 928 001 19A

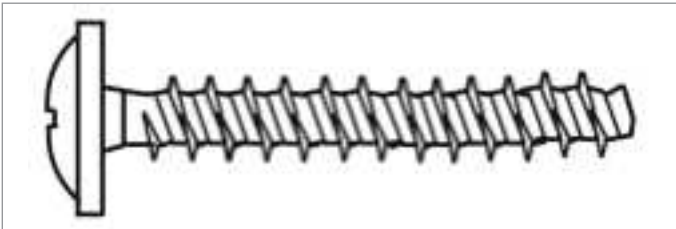
Technical data	
No. of poles	88
Color (FA)	Black
Secondary lock	None
Type of locking (plug)	With steel lever
Vibration resistance	3 g
Temperature range, min./max.	-40 / 85 °C
Contact spacing	5 mm
Row spacing	2.80 mm
Applications	Bodywork attachment

High-way plug-in connections

55/83-way plug-in connection

Special bolt B 3x19

Illustration



Product information

Product code	VHP-55P
Designation	55-way wiring-harness connector
Part number	1 928 491 167
Quotation drawing (assembly)	A 928 000 144 and A 928 000 146
Quotation drawing (component)	C 261 200 475A

Technical data

Type of seal (plug)	By an optional rubber grommet at cable outlet
Type of locking (plug)	With steel lever
Vibration resistance	3 g
Dimensions (L x W x H)	19.00 x 3.00 x mm
Temperature range, min./max.	-40 / 85 °C
Contact spacing	5 mm
Row spacing	2.80 mm
Applications	Engine attachment
Degree of protection	IP30, IP54K

High-way plug-in connections

56-way plug-in connection

General information

Illustration



Technical description

The 56-way wiring-harness connector is a compact high-way plug-in connection for hybrid control units with 0.6 mm signal contacts and 1.5 mm power contacts.

The plug-in system is suitable for direct diesel-engine/diesel-pump attachment.

A silicone gel seal is used for the cable. This means there is no need for additional sealing (e.g. dummy plugs) if not all contacts are used (refer to product information on silicone gel seal). A slide operated by a lever attached to the cover is used for pull-in and locking.

Features

- ▶ Sealed plug-in connection
- ▶ For heavily oscillating loads (attached to: e. g. diesel engines, diesel assemblies)
- ▶ Suitable for use up to 140°C
- ▶ Secondary lock
- ▶ Silicone gel seal

Technical features

- ▶ Vibration resistance: up to 50 g
- ▶ Temperature range: -40...+140° C
- ▶ Degree of protection: IP 54K, 56K, 59K
- ▶ Connection cross-sections:
 - 0.5...0.75 mm² (BMK 0.6-D)
 - 0.5...2.5 mm² (BMK 1.5-D)
- ▶ Suitable contacts:
 - BMK 0.6-D
 - BMK 1.5-D
- ▶ Contact spacing/posts:
 - BMK 0.6-D: 2.5 mm/0.6 mm
 - BMK 1.5-D: 4.5 mm/1.5 mm

All currently applicable quotation drawings and technical customer documentation for the 56-way plug-in connection product category can be found in the internet under www.bosch-connectors.com.

Strap

Illustration



Technical data

Product information

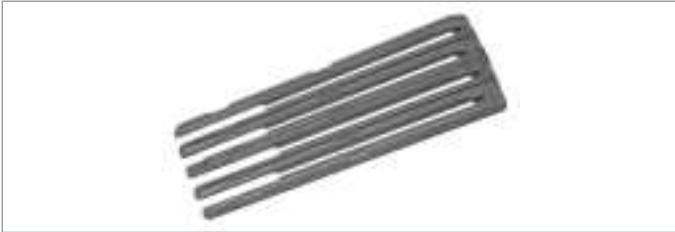
Product code	VAFK
Designation	General connection systems, external customers
Part number	1 928 403 358
Quotation drawing (component)	C 928 002 17A

High-way plug-in connections

56-way plug-in connection

56-way secondary lock

Illustration



Product information

Product code	VHP-56P
Designation	56-way wiring-harness connector
Part number	1 928 404 324
Quotation drawing (assembly)	A 928 000 502
Quotation drawing (component)	C 928 002 85A

Technical data

No. of poles	56
Color (FA)	Lilac
Type of seal (cable)	Silicone gel seal
Type of locking (plug)	By slide
Vibration resistance	50 g
Temperature range, min./max.	-40 / 140 °C
Contact spacing	2.5 mm
Applications	Engine attachment
Degree of protection	IP 54K, 56K, 59K

Pre-assembled 56-way grip molding

Illustration



Product information

Product code	VHP-56P
Designation	56-way wiring-harness connector
Part number	1 928 404 329
Quotation drawing (assembly)	A 928 000 502
Quotation drawing (component)	D 928 002 76A

Technical data

No. of poles	56
Encoding	1
Outgoing cable direction (KR)	Right
Type of seal (cable)	Silicone gel seal
Type of locking (plug)	By slide
Vibration resistance	50 g
Temperature range, min./max.	-40 / 140 °C
Contact spacing	2.5 mm
Applications	Engine attachment
Degree of protection	IP 54K, 56K, 59K
Other features (SO)	Slide actuation direction, right

Pre-assembled 56-way grip molding

Illustration



Product information

Product code	VHP-56P
Designation	56-way wiring-harness connector
Part number	1 928 404 330
Quotation drawing (assembly)	A 928 000 502
Quotation drawing (component)	D 928 002 76A

Technical data

No. of poles	56
Encoding	8
Outgoing cable direction (KR)	Right
Type of seal (cable)	Silicone gel seal
Type of locking (plug)	By slide
Vibration resistance	50 g
Temperature range, min./max.	-40 / 140 °C
Contact spacing	2.5 mm
Applications	Engine attachment
Degree of protection	IP 54K, 56K, 59K
Other features (SO)	Slide actuation direction, right

High-way plug-in connections

56-way plug-in connection

56-way cover

Illustration



Product information

Product code	VHP-56P
Designation	56-way wiring-harness connector
Part number	1 928 404 392
Quotation drawing (assembly)	A 928 000 502
Quotation drawing (component)	D 928 002 77A

Technical data

No. of poles	56
Color (FA)	Black
Outgoing cable direction (KR)	Left/right
Type of seal (cable)	Silicone gel seal
Type of locking (plug)	By slide
Vibration resistance	50 g
Temperature range, min./max.	-40 / 140 °C
Contact spacing	2.5 mm
Applications	Engine attachment
Degree of protection	IP 54K, 56K, 59K
Other features (SO)	Outgoing cable direction + slide actuation direction right, or outgoing cable direction + slide actuation direction, left

Pre-assembled 56-way grip molding

Illustration



Product information

Product code	VHP-56P
Designation	56-way wiring-harness connector
Part number	1 928 404 394
Quotation drawing (assembly)	A 928 000 502
Quotation drawing (component)	D 928 002 76A

Technical data

No. of poles	56
Color (FA)	Black
Encoding	8
Outgoing cable direction (KR)	Left
Type of contact	BMK 0.6-D or BMK 1.5-D
Type of seal (cable)	Silicone gel seal
Type of locking (plug)	By slide
Vibration resistance	50 g
Dimensions (L x W x H)	93.70 x 43.20 x 40.00 mm
Temperature range, min./max.	-40 / 140 °C
Contact spacing	2.5 mm
Row spacing	4.50 mm
Applications	Engine attachment
Degree of protection	IP 54K, 56K, 59K
Other features (SO)	Slide actuation direction, left

Pre-assembled 56-way grip molding

Illustration



Product information

Product code	VHP-56P
Designation	56-way wiring-harness connector
Part number	1 928 404 396
Quotation drawing (assembly)	A 928 000 502
Quotation drawing (component)	D 928 002 76A

Technical data

No. of poles	56
Encoding	1
Outgoing cable direction (KR)	Left
Type of seal (cable)	Silicone gel seal
Type of locking (plug)	By slide
Vibration resistance	50 g
Temperature range, min./max.	-40 / 140 °C
Contact spacing	2.5 mm
Row spacing	0.60 mm
Applications	Engine attachment
Degree of protection	IP 54K, 56K, 59K
Other features (SO)	Slide actuation direction, left

High-way plug-in connections

56-way plug-in connection

Pre-assembled 56-way grip molding

Illustration



Product information

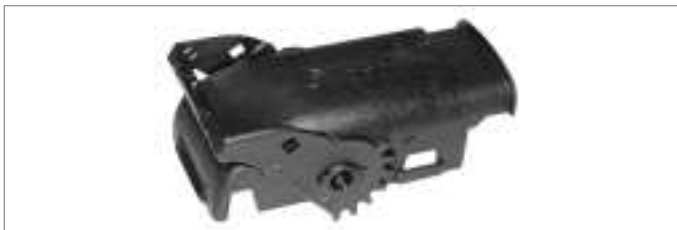
Product code	VHP-56P
Designation	56-way wiring-harness connector
Part number	1 928 404 881
Quotation drawing (assembly)	A 928 000 502
Quotation drawing (component)	D 928 002 76A

Technical data

No. of poles	56
Color (FA)	Black
Encoding	1
Outgoing cable direction (KR)	Right
Type of contact	BMK 0.6-D; BMK 1.5-D
Type of seal (cable)	Silicone gel seal
Type of locking (plug)	By slide
Vibration resistance	60 g
Dimensions (L x W x H)	104.20 x 43.20 x 40.00 mm
Temperature range, min./max.	-40 / 140 °C
Applications	Engine attachment
Degree of protection	IP 54K, 56K, 59K
Other features (SO)	Slide actuation direction, left

56-way pre-assembled cover

Illustration



Product information

Product code	VHP-56P
Designation	56-way wiring-harness connector
Part number	1 928 404 882
Quotation drawing (assembly)	A 928 000 502
Quotation drawing (component)	D 928 002 77A

Technical data

No. of poles	56
Color (FA)	Black
Outgoing cable direction (KR)	Right
Type of contact	BMK 0.5-D; BMK 1.6-D
Type of seal (cable)	Silicone gel seal
Type of locking (plug)	By slide
Vibration resistance	50 g
Dimensions (L x W x H)	80.40 x 41.90 x 34.50 mm
Temperature range, min./max.	-40 / 140 °C
Contact spacing	2.5 mm
Row spacing	0.60 mm
Applications	Engine attachment
Degree of protection	IP 54K, 56K, 59K
Other features (SO)	Slide actuation direction, left

High-way plug-in connections

64-way plug-in connection

General information

Illustration



Features

- ▶ Sealed plug-in connection
- ▶ For confined spaces
- ▶ Suitable for use up to 130°C
- ▶ Secondary locking possible
- ▶ Silicone gel seal

Technical description

The 64-way wiring harness connector is an extremely compact high-way plug-in connection for hybrid control units.

The plug-in system is suitable for control units attached directly to the engine.

A silicone gel seal is used for the cable. This means there is no need for additional sealing (e.g. dummy plugs) if not all contacts are used (refer to product information on silicone gel seal). A slide operated by a steel lever is used for pull-in and locking.

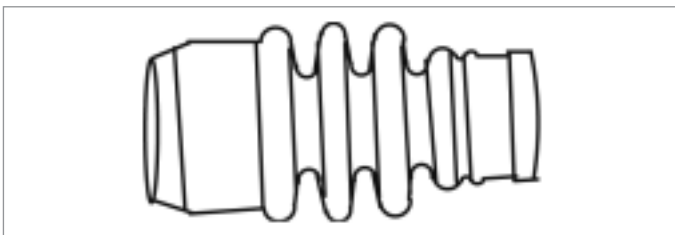
Technical features

- ▶ Vibration resistance: 30 g
- ▶ Temperature range: -40...+130° C
- ▶ Degree of protection: IP 54K, IP 69K
- ▶ Connection cross-sections: 0.5...0.75 mm²
- ▶ Contacts:
 - BMK 0.6, contact pull-out force 30 N,
 - BMK 0.6 contact pull-out force 50 N
- ▶ Contact spacing/posts: 2.5 mm/0.6 mm

All currently applicable quotation drawings and technical customer documentation for the 64-way plug-in connection product category can be found in the internet under www.bosch-connectors.com.

37/38/64-way sleeve

Illustration



Technical data

Color (FA)	Black
Comments	Grooved tube OD 19 - 24 mm

Product information

Product code	VDI-TUE
Designation	Protective cap / sleeve
Part number	1 928 300 520
Quotation drawing (assembly)	A 928 000 218
Quotation drawing (component)	C 928 001 74A

High-way plug-in connections

64-way plug-in connection

Pre-assembled 64-way grip molding

Illustration



Product information

Product code	VHP-64P
Designation	64-way wiring-harness connector
Part number	1 928 403 379
Quotation drawing (assembly)	A 928 000 306
Quotation drawing (component)	D 928 001 25A

Technical data

No. of poles	64
Color (FA)	Black
Encoding	1
Outgoing cable direction (KR)	Left
Secondary lock	None
Type of contact	BMK 0.6
Type of seal (cable)	Silicone gel seal
Type of locking (plug)	With slide and steel lever
Vibration resistance	30 g
Dimensions (L x W x H)	86.85 x 40.30 x 44.30 mm
Temperature range, min./max.	-40 / 130 °C
Contact spacing	2.5 mm
Row spacing	4.00 mm
Applications	Engine attachment
Degree of protection	IP 54K;69K

Pre-assembled 64-way grip molding

Illustration



Product information

Product code	VHP-64P
Designation	64-way wiring-harness connector
Part number	1 928 403 386
Quotation drawing (assembly)	A 928 000 306
Quotation drawing (component)	D 928 001 25A

Technical data

No. of poles	64
Color (FA)	Black
Encoding	8
Outgoing cable direction (KR)	Left
Secondary lock	None
Type of contact	BMK 0.6
Type of seal (cable)	Silicone gel seal
Type of locking (plug)	With slide and steel lever
Vibration resistance	30 g
Dimensions (L x W x H)	86.85 x 40.30 x 44.30 mm
Temperature range, min./max.	-40 / 130 °C
Contact spacing	2.5 mm
Row spacing	4.00 mm
Applications	Engine attachment
Degree of protection	IP 54K;69K

64-way cover

Illustration



Product information

Product code	VHP-64P
Designation	64-way wiring-harness connector
Part number	1 928 403 393
Quotation drawing (assembly)	A 928 000 306
Quotation drawing (component)	C 928 002 29A


Technical data

No. of poles	64
Color (FA)	Black
Outgoing cable direction (KR)	Left/right
Secondary lock	None
Type of seal (cable)	Silicone gel seal
Type of locking (plug)	With slide and steel lever
Vibration resistance	30 g
Dimensions (L x W x H)	70.50 x 27.30 x 22.10 mm
Temperature range, min./max.	-40 / 130 °C
Contact spacing	2.5 mm
Row spacing	0.60 mm
Applications	Engine attachment
Degree of protection	IP54K, IP69K

High-way plug-in connections


64-way plug-in connection

64-way sliding pin

Illustration	
	
Product information	
Product code	VHP-64P
Designation	64-way wiring-harness connector
Part number	1 928 403 394
Quotation drawing (assembly)	A 928 000 306
Quotation drawing (component)	C 928 002 30A


Technical data	
Color (FA)	Lilac
Secondary lock	Sliding pin
Type of seal (cable)	Silicone gel seal
Type of locking (plug)	With slide and steel lever
Vibration resistance	30 g
Dimensions (L x W x H)	47.15 x 15.20 x 3.40 mm
Temperature range, min./max.	-40 / 130 °C
Contact spacing	2.5 mm
Row spacing	0.60 mm
Applications	Engine attachment
Degree of protection	IP54K, IP69K

Pre-assembled 64-way grip molding

Illustration	
	
Product information	
Product code	VHP-64P
Designation	64-way wiring-harness connector
Part number	1 928 403 513
Quotation drawing (assembly)	A 928 000 306
Quotation drawing (component)	D 928 001 25A

Technical data	
No. of poles	64
Color (FA)	Black
Encoding	1
Outgoing cable direction (KR)	Right
Secondary lock	None
Type of contact	BMK 0.6
Type of seal (cable)	Silicone gel seal
Type of locking (plug)	By slide
Vibration resistance	30 g
Dimensions (L x W x H)	86.85 x 40.30 x 44.30 mm
Temperature range, min./max.	-40 / 130 °C
Contact spacing	2.5 mm
Row spacing	4.00 mm
Applications	Engine attachment
Degree of protection	IPX4K, IPX9K

Pre-assembled 64-way grip molding

Illustration	
	
Product information	
Product code	VHP-64P
Designation	64-way wiring-harness connector
Part number	1 928 403 514
Quotation drawing (assembly)	A 928 000 306
Quotation drawing (component)	D 928 001 25A

Technical data	
No. of poles	64
Color (FA)	Black
Encoding	8
Outgoing cable direction (KR)	Right
Secondary lock	None
Type of contact	BMK 0.6
Type of seal (cable)	Silicone gel seal
Type of locking (plug)	By slide
Vibration resistance	30 g
Dimensions (L x W x H)	86.85 x 40.30 x 44.30 mm
Temperature range, min./max.	-40 / 130 °C
Contact spacing	2.5 mm
Row spacing	4.00 mm
Applications	Engine attachment
Degree of protection	IPX4K, IPX9K

High-way plug-in connections

64-way plug-in connection

64-way transportation safeguard

Illustration



Product information

Product code	VHP-64P
Designation	64-way wiring-harness connector
Part number	1 928 404 068
Quotation drawing (assembly)	A 928 000 306
Quotation drawing (component)	C 928 002 87A

Technical data

No. of poles	64
Color (FA)	Black
Encoding	All
Outgoing cable direction (KR)	All
Secondary lock	None
Type of seal (cable)	Silicone gel seal
Type of locking (plug)	By slide
Vibration resistance	30 g
Dimensions (L x W x H)	54.18 x 45.50 x 21.10 mm
Temperature range, min./max.	-40 / 130 °C
Contact spacing	2.5 mm
Row spacing	0.60 mm
Applications	Bodywork attachment
Degree of protection	IP4XK
Other features (SO)	Special accessory

64-way cover

Illustration



Product information

Product code	VHP-64P
Designation	64-way wiring-harness connector
Part number	1 928 404 362
Quotation drawing (assembly)	A 928 000 306
Quotation drawing (component)	C 928 003 12A

Technical data

No. of poles	64
Color (FA)	Black
Type of seal (cable)	Silicone gel seal
Type of locking (plug)	By slide
Vibration resistance	30 g
Temperature range, min./max.	-40 / 130 °C
Contact spacing	2.5 mm
Applications	Bodywork attachment
Degree of protection	IP 54K, 69K

64-way cover

Illustration



Product information

Product code	VHP-64P
Designation	64-way wiring-harness connector
Part number	1 928 404 778
Quotation drawing (assembly)	A 928 000 306
Quotation drawing (component)	1 928 A00 021

Technical data

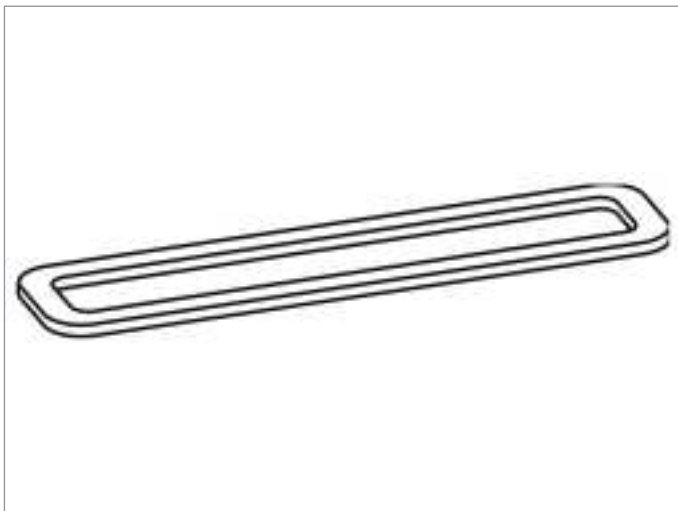
Type of seal (cable)	Individual wire seal
Type of locking (plug)	By slide
Vibration resistance	30 g
Temperature range, min./max.	-40 / 130 °C
Contact spacing	2.5 mm
Applications	Bodywork attachment
Degree of protection	IP54K, IP69K

High-way plug-in connections

77-way plug-in connection

General information

Illustration



Technical description

The two plug-in connection modules are used for passenger-car transmission-shift control units. The plug-in connection consists of a 40-way module (8x JPT and 32x BMK contacts) and a 37-way module (2x SPT, 3x JPT and 32x BMK contacts). A silicone gel seal (BMK 0.6) and individual wire seals (JPT and SPT) are used for the cable. Thanks to the gel seal, no additional sealing (e.g. dummy plugs) is required for non-used signal pins (BMK 0.6) (refer to product information on gel seal). A slide is used for pull-in and locking.

Features

- ▶ Sealed plug-in connection
- ▶ For confined spaces
- ▶ Secondary locking possible
- ▶ High current-carrying capacity
- ▶ Silicone gel seal or individual wire seal

Technical features

- ▶ Vibration resistance: 18 g
- ▶ Temperature range: -40°C...+150° C
- ▶ Degree of sealing: IP X4K, X6K, X9K
- ▶ Connection cross-sections:
 - 1.5...4 mm² (SPT)
 - 0.5...2.5 mm² (JPT)
 - 0.35...0.75 mm² (BMK 0.6)
- ▶ Suitable contacts:
 - 2x SPT with individual wire seal,
 - 11x JPT with individual wire seal,
 - 64x BMK 0.6
- ▶ Contact spacing/posts:
 - SPT: 7.6 mm/4.8 mm
 - JPT: 5.8 mm/2.8 mm
 - BMK 0.6: 2.54 mm/0.63 mm

All currently applicable quotation drawings and technical customer documentation for the 77-way plug-in connection product category can be found in the internet under www.bosch-connectors.com.

37-way contact carrier

Illustration



Product information

Product code	VHP-37P
Designation	37-way wiring-harness connector
Part number	1 928 404 205
Quotation drawing (assembly)	A 928 000 321
Quotation drawing (component)	D 928 002 94A

Technical data

No. of poles	37
Color (FA)	Black
Encoding	1
Secondary lock	Sliding pin
Type of contact	BMK 0.6, JPT, SPT
Type of seal (plug)	Radial seal
Type of seal (cable)	Individual wire seal
Type of locking (plug)	By slide
Vibration resistance	6 g
Dimensions (L x W x H)	65.00 x 36.00 x 33.00 mm
Temperature range, min./max.	-40 / 150 °C
Row spacing	4.00 mm
Degree of protection	IP54K, IP69K
Other features (SO)	Module for SV 77-way, secondary lock JPT/SPT pre-assembled

High-way plug-in connections

83-way plug-in connection

General information

Illustration



Technical description

The 83-way plug-in connection is used for the connection of ABS control units. There are various grip moldings to suit the required outgoing cable direction. To make the connection, the wiring-harness connector is swivelled in and locked with a steel lever.

Features

- ▶ Secondary locking possible
- ▶ Versions for outgoing cable on either left or right
- ▶ With microswitch spring

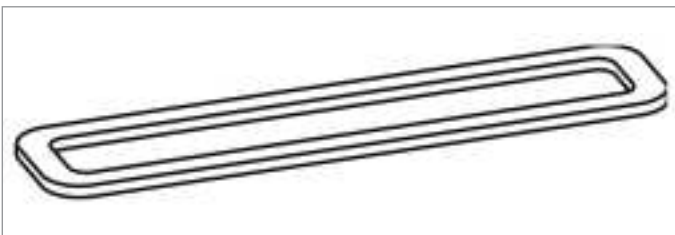
Technical features

- ▶ Vibration resistance: approx. 3 g
- ▶ Temperature range: -40° C...+85° C
- ▶ Degree of protection: IP 30
- ▶ Connection cross-sections:
 - 0.35...2.5 mm² (2.8 mm contact)
 - 0.35...0.75 mm² (1.6 mm contact)
- ▶ Suitable contacts:
 - 26x 2.8 mm flat spring contacts,
 - 57x 1.6 mm flat spring contacts
- ▶ Contact spacing/posts:
 - 2.8 mm contact: 5 mm/2.8 mm
 - 1.6 mm contact: 3.25 mm/1.6 mm

All currently applicable quotation drawings and technical customer documentation for the 83-way plug-in connection product category can be found in the internet under www.bosch-connectors.com.

Seal

Illustration



Technical data

Other features (SO) For 83/88-way wiring-harness connector


Product information

Product code	VDI-DI
Designation	Seal
Part number	1 928 300 283
Quotation drawing (component)	C 928 002 09A

High-way plug-in connections


83-way plug-in connection

83-way contact carrier

Illustration	
	
Product information	
Product code	VHP-83P
Designation	83-way wiring-harness connector
Part number	1 928 402 160
Quotation drawing (assembly)	A 928 000 030
Quotation drawing (component)	D 928 000 29A


Technical data	
No. of poles	83
Color (FA)	Neutral
Secondary lock	None
Type of contact	JPT, MT 1
Type of locking (plug)	With steel lever
Vibration resistance	3 g
Dimensions (L x W x H)	124.50 x 21.80 x 21.80 mm
Temperature range, min./max.	-40 / 85 °C
Contact spacing	5 mm
Row spacing	3.00 mm
Applications	Bodywork attachment
Degree of protection	IP 30

Pre-assembled 83-way grip molding

Illustration	
	
Product information	
Product code	VHP-83P
Designation	83-way wiring-harness connector
Part number	1 928 402 174
Quotation drawing (assembly)	A 928 000 574
Quotation drawing (component)	D 928 001 56A

Technical data	
No. of poles	83
Color (FA)	Black
Encoding	21
Outgoing cable direction (KR)	Outgoing cable opposite encoding lug
Secondary lock	None
Type of locking (plug)	With steel lever
Vibration resistance	3 g
Dimensions (L x W x H)	162.00 x 30.00 x 46.00 mm
Temperature range, min./max.	-40 / 85 °C
Contact spacing	5 mm
Row spacing	2.80 mm
Applications	Bodywork attachment
Degree of protection	IP 30

Pre-assembled 83-way grip molding

Illustration	
	
Product information	
Product code	VHP-83P
Designation	83-way wiring-harness connector
Part number	1 928 402 175
Quotation drawing (assembly)	A 928 000 574
Quotation drawing (component)	D 928 001 56A

Technical data	
No. of poles	83
Color (FA)	Black
Encoding	22
Outgoing cable direction (KR)	Outgoing cable opposite encoding lug
Secondary lock	None
Type of locking (plug)	With steel lever
Vibration resistance	3 g
Dimensions (L x W x H)	162.00 x 30.00 x 46.00 mm
Temperature range, min./max.	-40 / 85 °C
Contact spacing	5 mm
Row spacing	2.80 mm
Applications	Bodywork attachment
Degree of protection	IP 30

High-way plug-in connections

83-way plug-in connection

Pre-assembled 55/83-way grip molding

Illustration



Product information

Product code	VHP-83P
Designation	83-way wiring-harness connector
Part number	1 928 402 198
Quotation drawing (assembly)	A 928 000 029
Quotation drawing (component)	D 928 001 55A

Technical data

No. of poles	83
Color (FA)	Black
Encoding	21
Outgoing cable direction (KR)	Outgoing cable above encoding lug
Secondary lock	None
Type of locking (plug)	With steel lever
Vibration resistance	3 g
Dimensions (L x W x H)	162.00 x 30.00 x 46.00 mm
Temperature range, min./max.	-40 / 85 °C
Contact spacing	5 mm
Row spacing	2.80 mm
Applications	Bodywork attachment
Degree of protection	IP 30

Pre-assembled 55/83-way grip molding

Illustration



Product information

Product code	VHP-83P
Designation	83-way wiring-harness connector
Part number	1 928 402 199
Quotation drawing (assembly)	A 928 000 029
Quotation drawing (component)	D 928 001 55A

Technical data

No. of poles	83
Color (FA)	Black
Encoding	22
Outgoing cable direction (KR)	Outgoing cable above encoding lug
Secondary lock	None
Type of locking (plug)	With steel lever
Vibration resistance	3 g
Dimensions (L x W x H)	162.00 x 30.00 x 46.00 mm
Temperature range, min./max.	-40 / 85 °C
Contact spacing	5 mm
Row spacing	2.80 mm
Applications	Bodywork attachment
Degree of protection	IP 30

83-way contact carrier

Illustration



Product information

Product code	VHP-83P
Designation	83-way wiring-harness connector
Part number	1 928 402 768
Quotation drawing (assembly)	A 928 000 574
Quotation drawing (component)	D 928 000 29A

Technical data

No. of poles	83
Secondary lock	None
Type of contact	JPT, MT 1
Type of locking (plug)	With steel lever
Vibration resistance	3 g
Dimensions (L x W x H)	124.50 x 21.80 x 21.80 mm
Temperature range, min./max.	-40 / 85 °C
Contact spacing	5 mm
Row spacing	3.00 mm
Applications	Bodywork attachment
Degree of protection	IP30

High-way plug-in connections

83-way plug-in connection

88-way tubular connection



Product information	
Product code	VHP-88P
Designation	88-way wiring-harness connector
Part number	1 928 403 075
Quotation drawing (assembly)	A 928 000 027
Quotation drawing (component)	D 928 001 19A

Technical data	
No. of poles	88
Color (FA)	Black
Secondary lock	None
Type of locking (plug)	With steel lever
Vibration resistance	3 g
Temperature range, min./max.	-40 / 85 °C
Contact spacing	5 mm
Row spacing	2.80 mm
Applications	Bodywork attachment

Pre-assembled 88-way grip molding



Product information	
Product code	VHP-88P
Designation	88-way wiring-harness connector
Part number	1 928 404 287
Quotation drawing (assembly)	A 928 000 574
Quotation drawing (component)	D 928 000 97A

Technical data	
No. of poles	88
Type of locking (plug)	With steel lever
Vibration resistance	3 g
Temperature range, min./max.	-40 / 85 °C
Contact spacing	5 mm
Applications	Bodywork attachment

High-way plug-in connections

84-way plug-in connection

General information

Illustration



Technical description

The 84-way wiring-harness connector is a plug-in connection for bodywork attachment in the passenger compartment. The plug-in system is non-sealed and was developed for an airbag system. There is only one possible outgoing cable side. A lever/claw system is used for pull-in and locking.

Features

- ▶ Non-Sealed plug-in connection
- ▶ Secondary lock
- ▶ Suitable for use up to 85°C
- ▶ Softline design
- ▶ One contact size
- ▶ Operating lever
- ▶ 10 encoding options

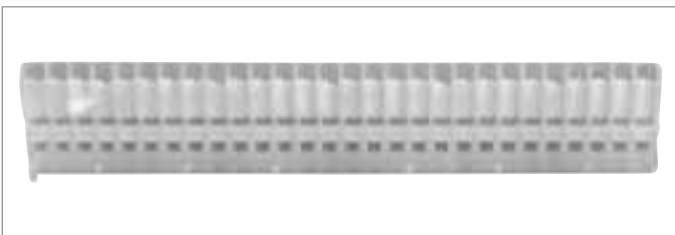
Technical features

- ▶ Vibration resistance: 2 g
- ▶ Temperature range: -40° C...+85° C
- ▶ Degree of sealing: IP X6K (dust)
- ▶ Connection cross-section: 0.35...1 mm² (MQS)
- ▶ Suitable contacts: 84x MQS
- ▶ Blade: MQS 0.64 mm

All currently applicable quotation drawings and technical customer documentation for the 84-way plug-in connection product category can be found in the internet under www.bosch-connectors.com.

28-way contact carrier

Illustration



Technical data

No. of poles	84
Color (FA)	Black
Secondary lock	Locking plate
Type of contact	MQS
Type of locking (plug)	Lever/claw system
Vibration resistance	2 g
Dimensions (L x W x H)	72.20 x 3.50 x 16.50 mm
Temperature range, min./max.	-40 / 85 °C
Row spacing	1.00 mm
Applications	Bodywork attachment
Degree of protection	IP 30

Product information

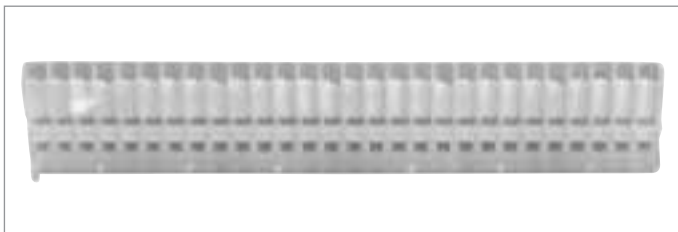
Product code	VHP-84P
Designation	84-way wiring-harness connector
Part number	1 928 403 672
Quotation drawing (assembly)	A 928 000 393
Quotation drawing (component)	D 928 002 23A

High-way plug-in connections

84-way plug-in connection

28-way contact carrier

Illustration



Product information

Product code	VHP-84P
Designation	84-way wiring-harness connector
Part number	1 928 403 673
Quotation drawing (assembly)	A 928 000 393
Quotation drawing (component)	D 928 002 23A

Technical data

No. of poles	84
Color (FA)	blue
Secondary lock	Locking plate
Type of contact	MQS
Type of locking (plug)	Lever/claw system
Vibration resistance	2 g
Dimensions (L x W x H)	72.20 x 4.00 x 16.50 mm
Temperature range, min./max.	-40 / 85 °C
Row spacing	1.00 mm
Applications	Bodywork attachment
Degree of protection	IP 30

High-way plug-in connections

88-way plug-in connection

General information

Illustration



Technical description

The 88-way plug-in connection is used for the connection of Motronic control units. There are various grip moldings to suit the required outgoing cable direction. On installation, the wiring-harness connector is swivelled in and locked with a steel lever.

Features

- ▶ Secondary locking possible
- ▶ Versions for outgoing cable on either left or right

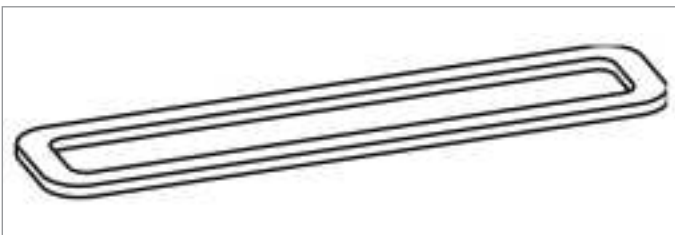
Technical features

- ▶ Vibration resistance: approx. 3 g
- ▶ Temperature range: -40° C...+85° C
- ▶ Degree of sealing: IP 30
- ▶ Connection cross-sections:
 - 0.35...2.5 mm² (2.8 mm contact)
 - 0.35...0.75 mm² (1.6 mm contact)
- ▶ Suitable contacts:
 - 26x 2.8 mm flat spring contacts,
 - 62x 1.6 mm flat spring contacts
- ▶ Contact spacing/posts:
 - 2.8 mm contact: 5 mm/2.8 mm
 - 1.6 mm contact: 3.25 mm/1.6 mm

All currently applicable quotation drawings and technical customer documentation for the 88-way plug-in connection product category can be found in the internet under www.bosch-connectors.com.

Seal

Illustration



Technical data

Other features (SO) For 83/88-way wiring-harness connector

Product information

Product code	VDI-DI
Designation	Seal
Part number	1 928 300 283
Quotation drawing (component)	C 928 002 09A

High-way plug-in connections

88-way plug-in connection

Clamp-type cover



Product information

Product code	VHP-88P
Designation	88-way wiring-harness connector
Part number	1 928 401 570
Quotation drawing (assembly)	D 261 203 070
Quotation drawing (component)	C 261 203 130

Technical data

No. of poles	88
Color (FA)	Black
Dimensions (L x W x H)	55.00 x 30.00 x 18.50 mm
Temperature range, min./max.	-40 / 85 °C
Applications	Bodywork attachment

Pre-assembled 88-way contact carrier



Product information

Product code	VHP-88P
Designation	88-way wiring-harness connector
Part number	1 928 401 587
Quotation drawing (assembly)	A 928 000 405
Quotation drawing (component)	D 928 001 21A

Technical data

No. of poles	88
Color (FA)	Neutral
Encoding	All
Secondary lock	Locking plate
Type of contact	JPT, MT 1
Type of locking (plug)	With steel lever
Vibration resistance	3 g
Dimensions (L x W x H)	124.50 x 21.80 x 21.80 mm
Temperature range, min./max.	-40 / 85 °C
Contact spacing	5 mm
Row spacing	3.00 mm
Applications	Bodywork attachment

Pre-assembled 88-way grip molding



Product information

Product code	VHP-88P
Designation	88-way wiring-harness connector
Part number	1 928 401 594
Quotation drawing (assembly)	D 261 203 070
Quotation drawing (component)	D 261 203 073

Technical data

No. of poles	88
Color (FA)	Black
Encoding	8
Outgoing cable direction (KR)	Outgoing cable above encoding lug
Secondary lock	None
Type of locking (plug)	With steel lever
Vibration resistance	3 g
Dimensions (L x W x H)	162.00 x 30.00 x 46.00 mm
Temperature range, min./max.	-40 / 85 °C
Contact spacing	5 mm
Row spacing	2.80 mm
Applications	Bodywork attachment
Other features (SO)	For short cover

High-way plug-in connections

88-way plug-in connection

Pre-assembled 88-way grip molding

Illustration



Product information

Product code	VHP-88P
Designation	88-way wiring-harness connector
Part number	1 928 401 786
Quotation drawing (assembly)	A 928 000 028
Quotation drawing (component)	D 928 001 56A

Technical data

No. of poles	88
Color (FA)	Black
Encoding	12
Outgoing cable direction (KR)	Outgoing cable opposite encoding lug
Secondary lock	None
Type of locking (plug)	With steel lever
Vibration resistance	3 g
Dimensions (L x W x H)	160.80 x 30.00 x 46.00 mm
Temperature range, min./max.	-40 / 85 °C
Contact spacing	5 mm
Row spacing	2.80 mm
Applications	Bodywork attachment

Pre-assembled 88-way grip molding

Illustration



Product information

Product code	VHP-88P
Designation	88-way wiring-harness connector
Part number	1 928 402 028
Quotation drawing (assembly)	A 928 000 027
Quotation drawing (component)	D 928 001 55A

Technical data

No. of poles	88
Color (FA)	Black
Encoding	8
Outgoing cable direction (KR)	Outgoing cable above encoding lug
Secondary lock	None
Type of locking (plug)	With steel lever
Vibration resistance	3 g
Dimensions (L x W x H)	162.00 x 30.00 x 46.00 mm
Temperature range, min./max.	-40 / 85 °C
Contact spacing	5 mm
Row spacing	2.80 mm
Applications	Bodywork attachment

Pre-assembled 88-way grip molding

Illustration



Product information

Product code	VHP-88P
Designation	88-way wiring-harness connector
Part number	1 928 402 032
Quotation drawing (assembly)	A 928 000 027
Quotation drawing (component)	D 928 001 55A


Technical data

No. of poles	88
Color (FA)	Black
Encoding	12
Outgoing cable direction (KR)	Outgoing cable above encoding lug
Secondary lock	None
Type of locking (plug)	With steel lever
Vibration resistance	3 g
Dimensions (L x W x H)	162.00 x 30.00 x 46.00 mm
Temperature range, min./max.	-40 / 85 °C
Contact spacing	5 mm
Row spacing	2.80 mm
Applications	Bodywork attachment

High-way plug-in connections


88-way plug-in connection

Clamp-type cover

Illustration	
	
Product information	
Product code	VHP-88P
Designation	88-way wiring-harness connector
Part number	1 928 402 034
Quotation drawing (assembly)	A 928 000 027
Quotation drawing (component)	C 928 002 10A


Technical data	
No. of poles	88
Color (FA)	Black
Secondary lock	None
Type of locking (plug)	With steel lever
Vibration resistance	3 g
Dimensions (L x W x H)	74.00 x 30.00 x 11.00 mm
Temperature range, min./max.	-40 / 85 °C
Contact spacing	5 mm
Row spacing	2.80 mm
Applications	Bodywork attachment

Pre-assembled 88-way grip molding

Illustration	
	
Product information	
Product code	VHP-88P
Designation	88-way wiring-harness connector
Part number	1 928 403 061
Quotation drawing (assembly)	A 928 000 200
Quotation drawing (component)	D 928 000 97A

Technical data	
No. of poles	88
Color (FA)	Black
Encoding	8
Outgoing cable direction (KR)	Outgoing cable opposite encoding lug
Secondary lock	None
Type of locking (plug)	With steel lever
Vibration resistance	3 g
Dimensions (L x W x H)	154.80 x 30.00 x 47.50 mm
Temperature range, min./max.	-40 / 85 °C
Contact spacing	5 mm
Row spacing	2.80 mm
Applications	Bodywork attachment
Other features (SO)	Sealed

88-way grip molding

Illustration	
	
Product information	
Product code	VHP-88P
Designation	88-way wiring-harness connector
Part number	1 928 403 065
Quotation drawing (assembly)	A 928 000 200
Quotation drawing (component)	D 928 000 97A

Technical data	
No. of poles	88
Encoding	12
Type of locking (plug)	With steel lever
Vibration resistance	3 g
Dimensions (L x W x H)	145.70 x 33.40 x 46.50 mm
Temperature range, min./max.	-40 / 85 °C
Contact spacing	5 mm
Row spacing	2.80 mm
Applications	Bodywork attachment
Degree of protection	IP30

High-way plug-in connections

88-way plug-in connection

88-way tubular connection

Illustration



Product information

Product code	VHP-88P
Designation	88-way wiring-harness connector
Part number	1 928 403 075
Quotation drawing (assembly)	A 928 000 027
Quotation drawing (component)	D 928 001 19A

Technical data

No. of poles	88
Color (FA)	Black
Secondary lock	None
Type of locking (plug)	With steel lever
Vibration resistance	3 g
Temperature range, min./max.	-40 / 85 °C
Contact spacing	5 mm
Row spacing	2.80 mm
Applications	Bodywork attachment

88-way contact carrier

Illustration



Product information

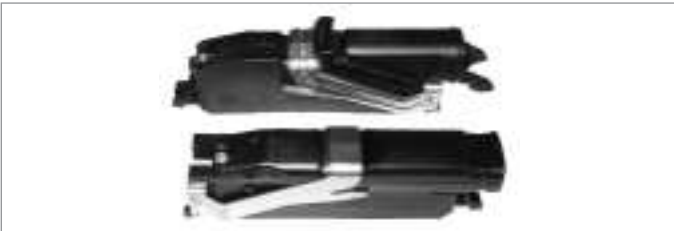
Product code	VHP-88P
Designation	88-way wiring-harness connector
Part number	1 928 403 122
Quotation drawing (assembly)	A 928 000 027
Quotation drawing (component)	D 928 001 21A

Technical data

No. of poles	88
Encoding	All
Secondary lock	Locking plate
Type of contact	JPT, MT 1
Type of locking (plug)	With steel lever
Vibration resistance	3 g
Temperature range, min./max.	-40 / 85 °C
Contact spacing	5 mm
Row spacing	3.00 mm
Applications	Bodywork attachment
Degree of protection	IP X 30
Other features (SO)	JPT cavity, symmetrical

Pre-assembled 88-way grip molding

Illustration



Product information

Product code	VHP-88P
Designation	88-way wiring-harness connector
Part number	1 928 404 021
Quotation drawing (assembly)	A 928 000 028
Quotation drawing (component)	D 928 001 56A

Technical data

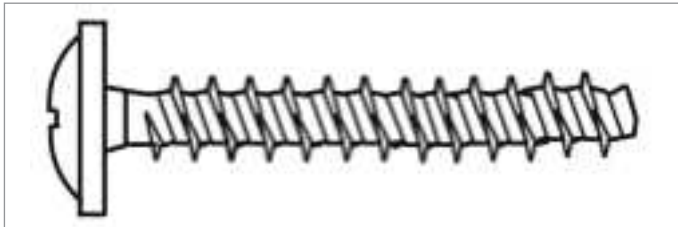
No. of poles	88
Color (FA)	Black
Encoding	8a
Outgoing cable direction (KR)	Outgoing cable opposite encoding lug
Secondary lock	None
Type of contact	JPT, MT 1
Type of locking (plug)	With steel lever
Vibration resistance	3 g
Dimensions (L x W x H)	162.00 x 30.00 x 46.00 mm
Temperature range, min./max.	-40 / 85 °C
Contact spacing	5 mm
Row spacing	2.80 mm
Applications	Bodywork attachment
Degree of protection	IP 30

High-way plug-in connections

88-way plug-in connection

Special bolt B 3x19

Illustration



Product information

Product code	VHP-55P
Designation	55-way wiring-harness connector
Part number	1 928 491 167
Quotation drawing (assembly)	A 928 000 144 and A 928 000 146
Quotation drawing (component)	C 261 200 475A

Technical data

Type of seal (plug)	By an optional rubber grommet at cable outlet
Type of locking (plug)	With steel lever
Vibration resistance	3 g
Dimensions (L x W x H)	19.00 x 3.00 x mm
Temperature range, min./max.	-40 / 85 °C
Contact spacing	5 mm
Row spacing	2.80 mm
Applications	Engine attachment
Degree of protection	IP30, IP54K

High-way plug-in connections

121-way plug-in connection

General information

Illustration



Technical description

The 121-way sealed plug-in connection is suitable for the connection of control units mounted in the engine compartment. The plug-in connection consists of a 40-way module (8x JPT and 32x BMK contacts) and an 81-way module (5x JPT and 76x BMK contacts). A silicone gel seal (BMK 0.6) and individual wire seals (JPT) are used for the cable. Thanks to the gel seal, no additional sealing (e.g. dummy plugs) is required for non-used signal pins (BMK 0.6) (refer to product information on silicone gel seal). A slide is used for pull-in and locking.

Features

- ▶ Sealed plug-in connection
- ▶ For attachment to control units in engine compartment
- ▶ Secondary lock
- ▶ Silicone gel seal or individual wire seal
- ▶ High-current and signal contacts

Technical features

- ▶ Vibration resistance: 6 g
- ▶ Temperature range: -40...+105° C
- ▶ Degree of protection: IP 54K, 66K, 69K
- ▶ Connection cross-section:
 - 0.5...2.5 mm² (JPT)
 - 0.35...0.75 mm² (BMK 0.6)
- ▶ Suitable contacts:
 - 13x JPT with individual wire seal
 - 108x BMK 0.6
- ▶ Contact spacing/posts:
 - JPT 5 mm/2.8 mm
 - BMK 0.6: 2.5 mm/0.6 mm

All currently applicable quotation drawings and technical customer documentation for the 121-way plug-in connection product category can be found in the internet under www.bosch-connectors.com.

81-way contact carrier

Illustration



Technical data

No. of poles	81
Color (FA)	Black
Encoding	0
Secondary lock	Sliding pin
Type of contact	BMK 0.6; JPT
Type of seal (cable)	Silicone gel seal and individual wire seal
Type of locking (plug)	By slide
Vibration resistance	6 g
Dimensions (L x W x H)	88.00 x 36.00 x 32.00 mm
Temperature range, min./max.	-40 / 105 °C
Contact spacing	5 mm
Row spacing	4.00 mm
Applications	Bodywork attachment
Degree of protection	IP 54K; 66K; 69K
Other features (SO)	Module for SV 121-way, secondary lock JPT pre-assembled

Product information

Product code	VHP-121P-81P
Designation	121-way wiring-harness connector
Part number	1 928 403 454
Quotation drawing (assembly)	A 928 000 321
Quotation drawing (component)	D 928 001 44A

High-way plug-in connections

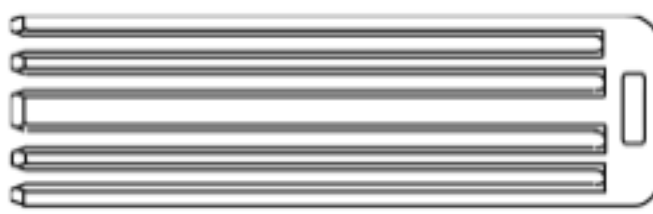
121-way plug-in connection

81-way cover

Illustration	
	
Product information	
Product code	VHP-121P-81P
Designation	121-way wiring-harness connector
Part number	1 928 403 459
Quotation drawing (assembly)	A 928 000 321
Quotation drawing (component)	C 928 001 92A


Technical data	
No. of poles	81
Color (FA)	Black
Outgoing cable direction (KR)	Flat above slide
Secondary lock	None
Type of seal (cable)	Silicone gel seal and individual wire seal
Type of locking (plug)	By slide
Vibration resistance	6 g
Dimensions (L x W x H)	77.00 x 29.80 x 16.60 mm
Temperature range, min./max.	-40 / 105 °C
Contact spacing	5 mm
Row spacing	2.80 mm
Applications	Bodywork attachment
Degree of protection	IP 54K; 66K; 69K
Comments	WW

76-way secondary lock

Illustration	
	
Product information	
Product code	VHP-121P-81P
Designation	121-way wiring-harness connector
Part number	1 928 403 460
Quotation drawing (assembly)	A 928 000 321
Quotation drawing (component)	C 928 001 93A

Technical data	
Color (FA)	Lilac
Secondary lock	Sliding pin
Other features (SO)	For BMK 0.6

40-way contact carrier

Illustration	
	
Product information	
Product code	VHP-121P-40P
Designation	121-way wiring-harness connector
Part number	1 928 403 462
Quotation drawing (assembly)	A 928 000 321
Quotation drawing (component)	D 928 001 45A

Technical data	
No. of poles	40
Color (FA)	Black
Encoding	0
Secondary lock	Sliding pin
Type of contact	BMK 0.6; JPT
Type of seal (cable)	Silicone gel seal and individual wire seal
Type of locking (plug)	By slide
Vibration resistance	6 g
Dimensions (L x W x H)	65.00 x 36.00 x 32.00 mm
Temperature range, min./max.	-40 / 105 °C
Contact spacing	5 mm
Row spacing	4.00 mm
Applications	Bodywork attachment
Degree of protection	IP 54K; 66K; 69K
Other features (SO)	Module for SV 121-way, secondary lock JPT pre-assembled

High-way plug-in connections

121-way plug-in connection

40-way cover

Illustration



Product information

Product code	VHP-121P-40P
Designation	121-way wiring-harness connector
Part number	1 928 403 467
Quotation drawing (assembly)	A 928 000 321
Quotation drawing (component)	C 928 001 95A

Technical data

No. of poles	40
Color (FA)	Black
Outgoing cable direction (KR)	Flat on slide side
Secondary lock	None
Type of seal (cable)	Silicone gel seal and individual wire seal
Type of locking (plug)	By slide
Vibration resistance	6 g
Dimensions (L x W x H)	54.90 x 29.80 x 16.60 mm
Temperature range, min./max.	-40 / 105 °C
Contact spacing	5 mm
Row spacing	2.80 mm
Applications	Bodywork attachment
Degree of protection	IP 54K; 66K; 69K
Comments	WW

32-way secondary lock

Illustration



Product information

Product code	VHP-121P-40P
Designation	121-way wiring-harness connector
Part number	1 928 403 468
Quotation drawing (assembly)	A 928 000 321
Quotation drawing (component)	C 928 001 96A

Technical data

No. of poles	40
Color (FA)	Lilac
Secondary lock	Sliding pin
Type of seal (cable)	Silicone gel seal and individual wire seal
Type of locking (plug)	By slide
Vibration resistance	6 g
Dimensions (L x W x H)	25.20 x 15.00 x 2.00 mm
Temperature range, min./max.	-40 / 105 °C
Contact spacing	5 mm
Row spacing	2.80 mm
Applications	Bodywork attachment
Degree of protection	IP 54K; 66K; 69K
Other features (SO)	For BMK 0.6

40-way cover

Illustration



Product information

Product code	VHP-121P-40P
Designation	121-way wiring-harness connector
Part number	1 928 403 511
Quotation drawing (assembly)	A 928 000 321
Quotation drawing (component)	C 928 002 04A

Technical data

No. of poles	40
Color (FA)	Black
Outgoing cable direction (KR)	45° at top opposite slide
Type of seal (cable)	Silicone gel seal and individual wire seal
Type of locking (plug)	By slide
Vibration resistance	6 g
Dimensions (L x W x H)	58.60 x 26.80 x 24.20 mm
Temperature range, min./max.	-40 / 105 °C
Contact spacing	5 mm
Row spacing	2.80 mm
Applications	Bodywork attachment
Degree of protection	IP 54K; 66K; 69K

High-way plug-in connections

121-way plug-in connection

81-way cover

Illustration



Product information

Product code	VHP-121P-81P
Designation	121-way wiring-harness connector
Part number	1 928 403 609
Quotation drawing (assembly)	A 928 000 321
Quotation drawing (component)	C 928 002 21A

Technical data

No. of poles	81
Color (FA)	Black
Outgoing cable direction (KR)	45° at top opposite slide
Secondary lock	None
Type of seal (cable)	Silicone gel seal and individual wire seal
Type of locking (plug)	By slide
Vibration resistance	6 g
Dimensions (L x W x H)	76.00 x 29.00 x 29.00 mm
Temperature range, min./max.	-40 / 105 °C
Contact spacing	5 mm
Row spacing	2.80 mm
Applications	Bodywork attachment
Degree of protection	IP 54K; 66K; 69K
Comments	WW

81-way cover

Illustration



Product information

Product code	VHP-121P-81P
Designation	121-way wiring-harness connector
Part number	1 928 403 856
Quotation drawing (assembly)	A 928 000 321
Quotation drawing (component)	C 928 002 27A

Technical data

No. of poles	81
Color (FA)	Black
Outgoing cable direction (KR)	Above slide 45° on side
Secondary lock	None
Type of seal (cable)	Silicone gel seal and individual wire seal
Type of locking (plug)	By slide
Vibration resistance	6 g
Dimensions (L x W x H)	80.00 x 35.00 x 30.00 mm
Temperature range, min./max.	-40 / 105 °C
Contact spacing	5 mm
Row spacing	2.80 mm
Applications	Engine attachment
Degree of protection	IP 54K; 66K; 69K
Comments	WW

37/40-way cover

Illustration



Product information

Product code	VHP-121P-40P
Designation	121-way wiring-harness connector
Part number	1 928 404 203
Quotation drawing (assembly)	A 928 000 321
Quotation drawing (component)	C 928 003 17A

Technical data

No. of poles	40
Color (FA)	Black
Outgoing cable direction (KR)	Above slide 15° on side
Type of seal (cable)	Silicone gel seal and individual wire seal
Type of locking (plug)	By slide
Vibration resistance	6 g
Dimensions (L x W x H)	67.00 x 26.80 x 24.80 mm
Temperature range, min./max.	-40 / 105 °C
Contact spacing	5 mm
Row spacing	2.80 mm
Applications	Bodywork attachment
Degree of protection	IP 54K; 66K; 69K

High-way plug-in connections

121-way plug-in connection

40-way contact carrier

Illustration



Product information

Product code	VHP-121P-40P
Designation	121-way wiring-harness connector
Part number	1 928 404 375
Quotation drawing (assembly)	A 928 000 321
Quotation drawing (component)	D 928 001 45A

Technical data

No. of poles	40
Color (FA)	Black
Encoding	1-S
Secondary lock	Sliding pin
Type of contact	BMK 0.6, JPT
Type of seal (cable)	Silicone gel seal and individual wire seal
Type of locking (plug)	By slide
Vibration resistance	6 g
Dimensions (L x W x H)	65.00 x 36.00 x 32.00 mm
Temperature range, min./max.	-40 / 105 °C
Contact spacing	5 mm
Row spacing	4.00 mm
Applications	Bodywork attachment
Degree of protection	IP45K, IP69K
Other features (SO)	Module for SV 121-way, sec. lock JPT pre-assembled, FA = black

40-way contact carrier

Illustration



Product information

Product code	VHP-121P-40P
Designation	121-way wiring-harness connector
Part number	1 928 404 543
Quotation drawing (assembly)	A 928 000 321
Quotation drawing (component)	D 928 001 45A

Technical data

No. of poles	40
Encoding	0-F
Secondary lock	Sliding pin
Type of contact	BMK 0.6, JPT
Type of seal (cable)	Silicone gel seal and individual wire seal
Type of locking (plug)	By slide
Vibration resistance	6 g
Dimensions (L x W x H)	66.00 x 36.00 x 32.00 mm
Temperature range, min./max.	-40 / 105 °C
Contact spacing	5 mm
Row spacing	4.00 mm
Applications	Bodywork attachment
Degree of protection	IP54K, IP69K
Other features (SO)	Module for SV 121-way, sec. lock JPT pre-assembled, better grip, FA = black

40-way cover

Illustration



Product information

Product code	VHP-121P-40P
Designation	121-way wiring-harness connector
Part number	1 928 404 637
Quotation drawing (assembly)	A 928 000 321
Quotation drawing (component)	C 928 003 33A

Technical data

No. of poles	40
Color (FA)	Black
Type of seal (cable)	Silicone gel seal and individual wire seal
Type of locking (plug)	By slide
Vibration resistance	6 g
Dimensions (L x W x H)	92.00 x 38.40 x 33.40 mm
Temperature range, min./max.	-40 / 105 °C
Contact spacing	5 mm
Row spacing	2.80 mm
Applications	Bodywork attachment
Degree of protection	IP 54K; 66K; 69K

High-way plug-in connections

121-way plug-in connection

40-way contact carrier

Illustration



Product information

Product code	VHP-121P-40P
Designation	121-way wiring-harness connector
Part number	1 928 404 777
Quotation drawing (assembly)	A 928 000 321
Quotation drawing (component)	D 928 001 45A

Technical data

Type of seal (plug)	Radial seal
Type of seal (cable)	BMK 0.6: Silica gel seal; JPT: Individual wire seal
Type of locking (plug)	By slide
Vibration resistance	6 g
Temperature range, min./max.	-40 / 105 °C
Contact spacing	5 mm
Row spacing	2.80 mm
Applications	Bodywork attachment
Degree of protection	IP 54K; 66K; 69K

High-way plug-in connections

134-way plug-in connection

General information

Illustration



Features

- ▶ With secondary lock
- ▶ Modular design
- ▶ Modules with power contacts
- ▶ Modules with signal contacts

Technical description

The 134-way plug-in connection is used for the connection of Motronic control units in protected installation locations. The plug-in connection consists of five modules: 2x 9-way modules each with one contact carrier (for 2.8 mm power contacts) and 1x 24, 40 and 52-way modules each with two contact carriers (for 0.64 mm signal contacts). The contact carriers can be pre-assembled. The individual modules permit an inexpensive wiring-harness design. The modules can also be used separately. Outgoing cable options are available.

Technical features

- ▶ Vibration resistance: approx. 3.5 g
- ▶ Temperature range: -40° C...+85° C
- ▶ Degree of sealing: IP 30
- ▶ Connection cross-section:
 - 0.5...2.5 mm² (JPT)
 - 0.5...0.75 mm² (MQS)
- ▶ Suitable contacts:
 - JPT
 - MQS
- ▶ Contact spacing/posts:
 - JPT 5 mm/2.8 mm
 - MQS 2.54 mm/0.63 mm

All currently applicable quotation drawings and technical customer documentation for the 134-way plug-in connection product category can be found in the internet under www.bosch-connectors.com.

12-way contact carrier

Illustration



Product information

Product code	VHP-134P
Designation	134-way wiring-harness connector
Part number	1 928 403 632
Quotation drawing (assembly)	D 928 002 39A
Quotation drawing (component)	C 928 002 48A


Technical data

No. of poles	12
Color (FA)	Black
Encoding	L
Secondary lock	Sliding pin
Type of contact	MQS
Vibration resistance	4 g
Dimensions (L x W x H)	16.00 x 7.60 x 16.00 mm
Temperature range, min./max.	-40 / 85 °C
Contact spacing	5 mm
Row spacing	2.00 mm
Applications	Bodywork attachment
Degree of protection	IP 30
Other features (SO)	Module 2, left half

High-way plug-in connections


134-way plug-in connection

12-way contact carrier

Illustration	
	
Product information	
Product code	VHP-134P
Designation	134-way wiring-harness connector
Part number	1 928 403 633
Quotation drawing (assembly)	D 928 002 39A
Quotation drawing (component)	C 928 002 48A


Technical data	
No. of poles	12
Color (FA)	Gray
Encoding	R
Secondary lock	Sliding pin
Type of contact	MQS
Vibration resistance	4 g
Dimensions (L x W x H)	16.00 x 7.60 x 16.00 mm
Temperature range, min./max.	-40 / 85 °C
Contact spacing	5 mm
Row spacing	2.00 mm
Applications	Bodywork attachment
Degree of protection	IP 50
Other features (SO)	Module 2, right half

20-way contact carrier

Illustration	
	
Product information	
Product code	VHP-134P
Designation	134-way wiring-harness connector
Part number	1 928 403 634
Quotation drawing (assembly)	D 928 002 39A
Quotation drawing (component)	C 928 002 52A

Technical data	
No. of poles	20
Color (FA)	Black
Encoding	L
Secondary lock	Sliding pin
Type of contact	MQS
Vibration resistance	4 g
Dimensions (L x W x H)	16.00 x 7.60 x 26.10 mm
Temperature range, min./max.	-40 / 85 °C
Contact spacing	5 mm
Row spacing	2.00 mm
Applications	Bodywork attachment
Degree of protection	IP 50
Other features (SO)	Module 4, left half

20-way contact carrier

Illustration	
	
Product information	
Product code	VHP-134P
Designation	134-way wiring-harness connector
Part number	1 928 403 635
Quotation drawing (assembly)	D 928 002 39A
Quotation drawing (component)	C 928 002 52A

Technical data	
No. of poles	20
Color (FA)	Gray
Encoding	R
Secondary lock	Sliding pin
Type of contact	MQS
Vibration resistance	4 g
Dimensions (L x W x H)	16.00 x 7.60 x 26.10 mm
Temperature range, min./max.	-40 / 85 °C
Contact spacing	5 mm
Row spacing	2.00 mm
Applications	Bodywork attachment
Degree of protection	IP 50
Other features (SO)	Module 4, right half

High-way plug-in connections

134-way plug-in connection

26-way contact carrier

Illustration



Product information

Product code	VHP-134P
Designation	134-way wiring-harness connector
Part number	1 928 403 636
Quotation drawing (assembly)	D 928 002 39A
Quotation drawing (component)	C 928 002 50A

Technical data

No. of poles	26
Color (FA)	Black
Encoding	L
Secondary lock	Sliding pin
Type of contact	MQS
Vibration resistance	4 g
Dimensions (L x W x H)	16.00 x 7.60 x 33.70 mm
Temperature range, min./max.	-40 / 85 °C
Contact spacing	5 mm
Row spacing	2.00 mm
Applications	Bodywork attachment
Degree of protection	IP 50
Other features (SO)	Module 3, left half

26-way contact carrier

Illustration



Product information

Product code	VHP-134P
Designation	134-way wiring-harness connector
Part number	1 928 403 637
Quotation drawing (assembly)	D 928 002 39A
Quotation drawing (component)	C 928 002 50A

Technical data

No. of poles	26
Color (FA)	Gray
Encoding	R
Secondary lock	Sliding pin
Type of contact	MQS
Vibration resistance	4 g
Dimensions (L x W x H)	16.00 x 7.60 x 33.70 mm
Temperature range, min./max.	-40 / 85 °C
Contact spacing	5 mm
Row spacing	2.00 mm
Applications	Bodywork attachment
Degree of protection	IP 50
Other features (SO)	Module 3, right half

Pre-assembled 24-way grip molding

Illustration



Product information

Product code	VHP-134P
Designation	134-way wiring-harness connector
Part number	1 928 403 643
Quotation drawing (assembly)	D 928 002 39A
Quotation drawing (component)	D 928 002 40A


Technical data

No. of poles	24
Color (FA)	Black
Outgoing cable direction (KR)	Left
Secondary lock	Sliding pin
Type of contact	MQS
Vibration resistance	4 g
Temperature range, min./max.	-40 / 85 °C
Contact spacing	5 mm
Row spacing	4.00 mm
Applications	Bodywork attachment
Degree of protection	IP 50
Other features (SO)	Module 2

High-way plug-in connections


134-way plug-in connection

Pre-assembled 40-way grip molding

Illustration	
	
Product information	
Product code	VHP-134P
Designation	134-way wiring-harness connector
Part number	1 928 403 644
Quotation drawing (assembly)	D 928 002 39A
Quotation drawing (component)	D 928 002 41A


Technical data	
No. of poles	40
Color (FA)	Black
Encoding	1
Outgoing cable direction (KR)	Left
Secondary lock	Sliding pin
Type of contact	MQS
Vibration resistance	4 g
Temperature range, min./max.	-40 / 85 °C
Contact spacing	5 mm
Row spacing	4.00 mm
Applications	Bodywork attachment
Degree of protection	IP 50
Other features (SO)	Module 4

Pre-assembled 52-way grip molding

Illustration	
	
Product information	
Product code	VHP-134P
Designation	134-way wiring-harness connector
Part number	1 928 403 645
Quotation drawing (assembly)	D 928 002 39A
Quotation drawing (component)	D 928 002 42A

Technical data	
No. of poles	52
Color (FA)	Black
Encoding	1
Outgoing cable direction (KR)	Left
Secondary lock	Sliding pin
Type of contact	MQS
Vibration resistance	4 g
Temperature range, min./max.	-40 / 85 °C
Contact spacing	5 mm
Row spacing	4.00 mm
Applications	Bodywork attachment
Degree of protection	IP 50
Other features (SO)	Module 3

Contact carrier, encoding A1

Illustration	
	
Product information	
Product code	VHP-134P
Designation	134-way wiring-harness connector
Part number	1 928 403 646
Quotation drawing (assembly)	D 928 002 39A
Quotation drawing (component)	C 928 002 46A

Technical data	
No. of poles	9
Color (FA)	Black
Encoding	A1
Secondary lock	Sliding pin
Type of contact	JPT
Vibration resistance	4 g
Temperature range, min./max.	-40 / 85 °C
Contact spacing	5 mm
Row spacing	3.00 mm
Applications	Bodywork attachment
Degree of protection	IP 50
Other features (SO)	Module 1

High-way plug-in connections

134-way plug-in connection

Contact carrier, encoding A2

Illustration



Product information

Product code	VHP-134P
Designation	134-way wiring-harness connector
Part number	1 928 403 647
Quotation drawing (assembly)	D 928 002 39A
Quotation drawing (component)	C 928 002 46A

Technical data

No. of poles	9
Color (FA)	Gray
Encoding	A2
Secondary lock	Sliding pin
Type of contact	JPT
Vibration resistance	4 g
Temperature range, min./max.	-40 / 85 °C
Contact spacing	5 mm
Row spacing	3.00 mm
Applications	Bodywork attachment
Degree of protection	IP 50
Other features (SO)	Module 5

Grip molding, encoding A1

Illustration



Product information

Product code	VHP-134P
Designation	134-way wiring-harness connector
Part number	1 928 403 648
Quotation drawing (assembly)	D 928 002 39A
Quotation drawing (component)	C 928 002 44A

Technical data

No. of poles	9
Color (FA)	Black
Encoding	A1
Outgoing cable direction (KR)	Left
Secondary lock	Sliding pin
Type of contact	JPT
Vibration resistance	4 g
Temperature range, min./max.	-40 / 85 °C
Contact spacing	5 mm
Row spacing	3.00 mm
Applications	Bodywork attachment
Degree of protection	IP 50
Other features (SO)	Module 1

Grip molding, encoding A2

Illustration



Product information

Product code	VHP-134P
Designation	134-way wiring-harness connector
Part number	1 928 403 649
Quotation drawing (assembly)	D 928 002 39A
Quotation drawing (component)	C 928 002 44A

Technical data

No. of poles	9
Color (FA)	Black
Encoding	A2
Outgoing cable direction (KR)	Left
Secondary lock	Sliding pin
Type of contact	JPT
Vibration resistance	4 g
Temperature range, min./max.	-40 / 85 °C
Contact spacing	5 mm
Row spacing	3.00 mm
Applications	Bodywork attachment
Degree of protection	IP 50
Other features (SO)	Module 5

High-way plug-in connections

141-way plug-in connection

General information

Illustration



Technical description

The 141-way wiring-harness connector consisting of three modules is a high-way plug-in connection designed for a particularly long service life and for use with common-rail control units.

The plug-in system is suitable for direct attachment to diesel engine crankcases.

A silicone gel seal (BMK 0.6) and individual wire seals (BDK 2.8) are used for the cable. Thanks to the gel seal, no additional sealing (e.g. dummy plugs) is required for non-used signal pins (refer to product information on silicone gel seal). The module covers have mounts for grooved tubes and adapters/angular outlets. Pull-in and locking is by lever (16 and 36-way module), or lever-operated slide (89-way module).

Features

- ▶ Commercial-vehicle engine attachment
- ▶ Integrated secondary lock
- ▶ Silicone gel seal and individual wire seals
- ▶ Suitable for grooved-tube connection
- ▶ 3 modules
- ▶ High-current contacts
- ▶ Signal contacts

Technical features

- ▶ Vibration resistance: approx. 8 g
- ▶ Temperature range: -40° C...+105° C
- ▶ Degree of protection: IP 54K, 66K, 69K
- ▶ Connection cross-sections:
 - 0.5...2.5 mm² (BSK 2.8)
 - 0.5...0.75 mm² (BMK 0.6)
- ▶ Contacts:
 - 41x BSK 2.8 with individual wire seal
 - 100x BMK 0.6
- ▶ Contact spacing/posts:
 - BSK 2.8: 5.8 mm x 5.7 mm
 - BMK 0.6: 2.54 mm x 3.5 mm

All currently applicable quotation drawings and technical customer documentation for the 141-way plug-in connection product category can be found in the internet under www.bosch-connectors.com.

36/16-way cover

Illustration



Technical data

Color (FA)	Black
Type of seal (cable)	Silicone gel seal and individual wire seal
Type of locking (plug)	By lever
Vibration resistance	8 g
Temperature range, min./max.	-40 / 105 °C
Contact spacing	5.8 mm
Row spacing	5.70 mm
Applications	Engine attachment
Degree of protection	IP 54K; 66K; 69K

Product information

Product code	VHP-141P-36P
Designation	141-way wiring-harness connector
Part number	1 928 404 190
Quotation drawing (assembly)	A 928 000 508
Quotation drawing (component)	C 928 002 88A

High-way plug-in connections

141-way plug-in connection

89-way contact carrier

Illustration



Product information

Product code	VHP-141P-89P
Designation	141-way wiring-harness connector
Part number	1 928 404 195
Quotation drawing (assembly)	A 928 000 508
Quotation drawing (component)	D 928 002 78A

Technical data

Type of contact	BDK 2.8
Type of seal (cable)	Silicone gel seal and individual wire seal
Type of locking (plug)	By lever
Vibration resistance	8 g
Temperature range, min./max.	-40 / 105 °C
Contact spacing	5.8 mm
Row spacing	5.70 mm
Applications	Engine attachment
Degree of protection	IP 54K; 66K; 69K

89-way pre-assembled cover

Illustration



Product information

Product code	VHP-141P-89P
Designation	141-way wiring-harness connector
Part number	1 928 404 196
Quotation drawing (assembly)	A 928 000 508
Quotation drawing (component)	D 928 002 79A

Technical data

No. of poles	89
Outgoing cable direction (KR)	Left/right
Type of seal (cable)	Silicone gel seal and individual wire seal
Type of locking (plug)	By lever
Vibration resistance	8 g
Temperature range, min./max.	-40 / 105 °C
Contact spacing	5.8 mm
Applications	Engine attachment
Degree of protection	IP 54K; 66K; 69K

89-way pre-assembled cover

Illustration



Product information

Product code	VHP-141P-89P
Designation	141-way wiring-harness connector
Part number	1 928 404 197
Quotation drawing (assembly)	A 928 000 508
Quotation drawing (component)	D 928 002 79A

Technical data

No. of poles	89
Outgoing cable direction (KR)	Left/right
Type of seal (cable)	Silicone gel seal and individual wire seal
Type of locking (plug)	By lever
Vibration resistance	8 g
Temperature range, min./max.	-40 / 105 °C
Contact spacing	5.8 mm
Applications	Engine attachment
Degree of protection	IP 54K; 66K; 69K

High-way plug-in connections

141-way plug-in connection

Pre-assembled 36-way contact carrier

Illustration



Product information

Product code	VHP-141P-36P
Designation	141-way wiring-harness connector
Part number	1 928 404 199
Quotation drawing (assembly)	A 928 000 508
Quotation drawing (component)	D 928 002 80A

Technical data

No. of poles	36
Type of contact	BDK 2.8
Type of seal (cable)	Silicone gel seal and individual wire seal
Type of locking (plug)	By lever
Vibration resistance	8 g
Temperature range, min./max.	-40 / 105 °C
Contact spacing	5.8 mm
Applications	Engine attachment
Degree of protection	IP 54K; 66K; 69K

Pre-assembled 36-way contact carrier

Illustration



Product information

Product code	VHP-141P-36P
Designation	141-way wiring-harness connector
Part number	1 928 404 200
Quotation drawing (assembly)	A 928 000 508
Quotation drawing (component)	D 928 002 80A

Technical data

No. of poles	36
Type of contact	BDK 2.8
Type of seal (cable)	Silicone gel seal and individual wire seal
Type of locking (plug)	By lever
Vibration resistance	8 g
Temperature range, min./max.	-40 / 105 °C
Contact spacing	5.8 mm
Applications	Engine attachment
Degree of protection	IP 54K; 66K; 69K

Pre-assembled 16-way contact carrier

Illustration



Product information

Product code	VHP-141P-16P
Designation	141-way wiring-harness connector
Part number	1 928 404 201
Quotation drawing (assembly)	A 928 000 508
Quotation drawing (component)	D 928 002 81A

Technical data

No. of poles	16
Type of contact	BDK 2.8
Type of seal (cable)	Silicone gel seal and individual wire seal
Type of locking (plug)	By lever
Vibration resistance	8 g
Temperature range, min./max.	-40 / 105 °C
Contact spacing	5.8 mm
Applications	Engine attachment
Degree of protection	IP 54K; 66K; 69K

High-way plug-in connections

141-way plug-in connection

Pre-assembled 16-way contact carrier

Illustration



Product information

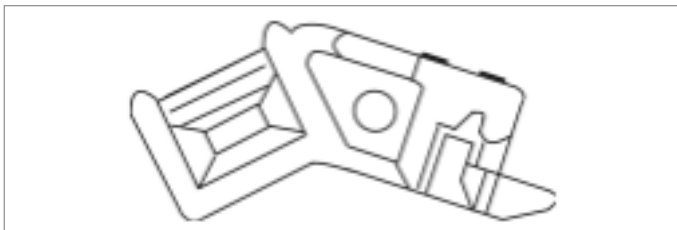
Product code	VHP-141P-16P
Designation	141-way wiring-harness connector
Part number	1 928 404 202
Quotation drawing (assembly)	A 928 000 508
Quotation drawing (component)	D 928 002 81A

Technical data

No. of poles	16
Type of contact	BDK 2.8
Type of seal (cable)	Silicone gel seal and individual wire seal
Type of locking (plug)	By lever
Vibration resistance	8 g
Temperature range, min./max.	-40 / 105 °C
Contact spacing	5.8 mm
Applications	Engine attachment
Degree of protection	IP 54K; 66K; 69K

Strap clip for 141-way plug-in connection

Illustration



Product information

Product code	VAFK
Designation	General connection systems, external customers
Part number	1 928 404 555
Quotation drawing (component)	C 928 003 22A

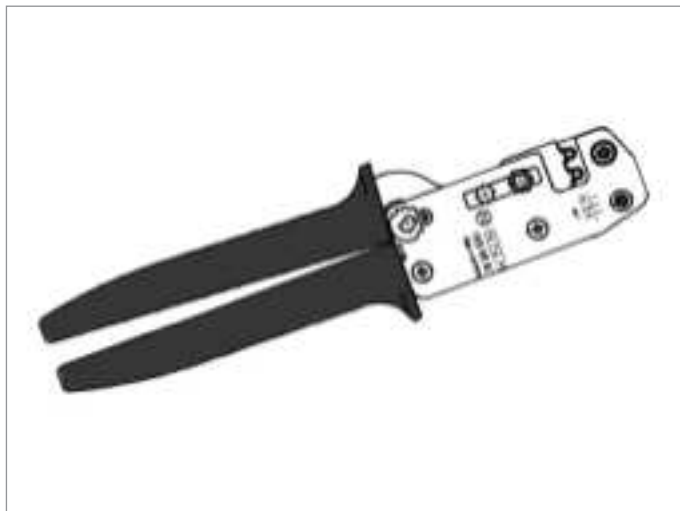
Technical data

High-way plug-in connections

154-way plug-in connection

General information

Illustration



Features

- ▶ Sealed plug-in connection
- ▶ Secondary lock
- ▶ Suitable for use up to 110°C
- ▶ Softline design
- ▶ Two contact sizes
- ▶ Optional operating lever

Technical description

The 154-way wiring-harness connector is a sturdy plug-in connection for soft engine attachment.

The plug-in system is sealed and was developed for the control unit modules EPA and EPB. A radial seal is used for the plug-in connection and a common gel seal for the wiring. A slide/lever system is used for pull-in and locking.

Technical features

- ▶ Vibration resistance: 6.4 g
- ▶ Temperature range: -40° C...+110° C
- ▶ Degree of sealing: IP X6K, X9K
- ▶ Connection cross-sections:
 - 0.5...2.5 mm² (BDK)
 - 0.35...1.5 mm² (matrix)
- ▶ Suitable contacts:
 - 6x BDK 2.8 with individual wire seal
 - 148x matrix 1.2
- ▶ Blade: BDK - 2.8 mm / matrix - 1.2 mm

All currently applicable quotation drawings and technical customer documentation for the 154-way plug-in connection product category can be found in the internet under www.bosch-connectors.com.

Hand crimping tool for BDK/BSK 2.8

Illustration



Technical data

Wire cross-section	0.5; 0.75; 1 mm ²
--------------------	------------------------------

Product information

Product code	VAFK
Designation	General connection systems, external customers
Part number	1 928 498 161
Quotation drawing	0 928 A00 038

High-way plug-in connections

154-way plug-in connection

Hand crimping tool for BDK/BSK 2.8

Illustration



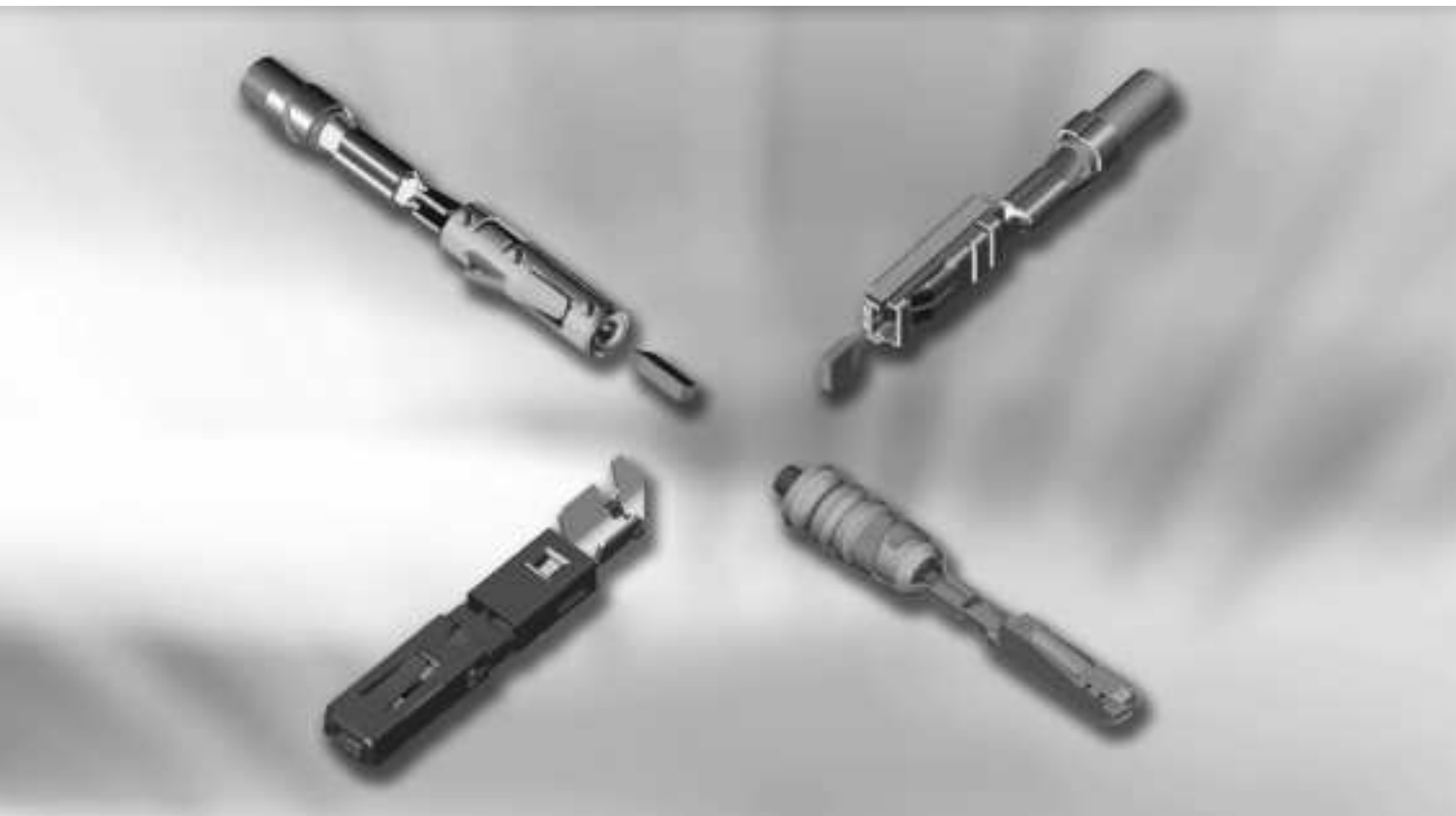
Technical data

Type of contact	Flat contact
Wire cross-section	1.5 - 2.5 mm ²

Product information

Product code	VAFK
Designation	General connection systems, external customers
Part number	1 928 498 162
Quotation drawing	0 928 A00 038

Contacts



Note	Product categories	Page
<p>Bosch supplies a full range of connections for automotive electronic systems.</p>	▶ Bosch damping contact 2.8	206
<p>Special features of Bosch plug-in connections:</p>	▶ Bosch micro-contact 0.6	209
<ul style="list-style-type: none"> • Long service life 	▶ Bosch micro-contact 0.6-D	213
<ul style="list-style-type: none"> • Well-protected against water, moisture and salt spray 	▶ Bosch micro-contact 1.5-D	215
<ul style="list-style-type: none"> • Thermally stable 	▶ Bosch sensor contact 2.8	217
<ul style="list-style-type: none"> • Vibration-resistant 	▶ JPT contacts	220
<ul style="list-style-type: none"> • Designed for easy connection and integral assembly 	▶ Matrix contact 1.2	221

The complete range of low-way plug-in connections is listed in the following section. The full product range can also be found in the internet under

www.bosch-connectors.com.

Contacts

Bosch damping contact 2.8

General information

Illustration



Features

- ▶ For high vibration loading
- ▶ Suitable for use up to 150°C (Au surface)
- ▶ Secondary locking possible
- ▶ 4 contact points

Technical description

The Bosch damping contact 2.8 (BDK 2.8) is a flat contact for 2.8 x 0.8 mm blade contacts. A special spring mechanism protects the contact point against fretting.

The BDK 2.8 was developed for plug-in connections subjected to high levels of vibration (direct engine attachment). The tinned version of the contact is suitable for temperatures up to max. 130°C or up to 150°C if gold-plated. The primary locking function is provided by the locking-spring arrangement. Secondary locking is possible from four sides between the contact element and the crimping area and from two sides in the area in front of the locking springs.

Technical features

- ▶ Wire cross-sections: 0.5...2.5 mm²
- ▶ Contact spacing: 5 mm
- ▶ Row spacing: 5 mm (5.5 mm)
- ▶ Temperature range:
 - 40° C...+130° C (tinned version)
 - 40° C...+150° C (gold-plated version)
- ▶ Wiring seal: Individual wire seal
- ▶ Rated voltage: 20 mV...40 V (DC)
- ▶ Current-carrying capacity: Max. 14 A (at 90° C and with Au surface)
- ▶ Packaging unit: 4,500x disposable coils

All currently applicable quotation drawings and technical customer documentation for the Bosch damping contact 2.8 product category can be found in the internet under www.bosch-connectors.com.

Bosch damping contact 2.8

Illustration



Technical data

Type of contact	Flat contact
Contact spacing	5 mm
Row spacing	5 mm
Contact surface	Gold-plated
Wire cross-section	0.5 - 1.0 mm ²
Wiring seal	Individual wire seal
Rated voltage, from/to	20 mV (DC) / 40 V (DC)
Current-carrying capacity:	max. 25 A (Au, Ag)


Product information

Product code	KONT-BDK/BSK-AU
Designation	Contact
Part number	1 928 498 054
Quotation drawing	1 928 A00 076


Contacts

Bosch damping contact 2.8


Bosch damping contact 2.8

Illustration		Technical data	
		Type of contact	Flat contact
		Contact spacing	5 mm
		Row spacing	5 mm
		Contact surface	Gold-plated
		Wire cross-section	1.5 - 2.5 mm ²
		Wiring seal	Individual wire seal
		Rated voltage, from/to	20 mV (DC)/ 40 V (DC)
		Current-carrying capacity	max. 25 A (Au, Ag)
Product information			
Product code	KONT-BDK/BSK-AU		
Designation	Contact		
Part number	1 928 498 055		
Quotation drawing	1 928 A00 076		

Bosch damping contact 2.8

Illustration		Technical data	
		Type of contact	Flat contact
		Contact spacing	5 mm
		Row spacing	5 mm
		Contact surface	Tinned
		Wire cross-section	0.5 - 1.0 mm ²
		Wiring seal	Individual wire seal
		Rated voltage, from/to	20 mV (DC)/ 40 V (DC)
Product information			
Product code	KONT-BDK/BSK-SN/AG		
Designation	Contact		
Part number	1 928 498 056		
Quotation drawing	1 928 A00 076		

Bosch damping contact 2.8

Illustration		Technical data	
		Type of contact	Flat contact
		Contact spacing	5 mm
		Row spacing	5 mm
		Contact surface	Tinned
		Wire cross-section	1.5 - 2.5 mm ²
		Wiring seal	Individual wire seal
		Rated voltage, from/to	20 mV (DC)/ 40 V (DC)
Product information			
Product code	KONT-BDK/BSK-SN/AG		
Designation	Contact		
Part number	1 928 498 057		
Quotation drawing	1 928 A00 076		

Contacts

Bosch damping contact 2.8

Hand crimping tool for BDK/BSK 2.8

Illustration



Product information

Product code	VAFK
Designation	General connection systems, external customers
Part number	1 928 498 161
Quotation drawing	0 928 A00 038

Technical data

Wire cross-section	0.5; 0.75; 1 mm ²
--------------------	------------------------------

Hand crimping tool for BDK/BSK 2.8

Illustration



Product information

Product code	VAFK
Designation	General connection systems, external customers
Part number	1 928 498 162
Quotation drawing	0 928 A00 038

Technical data

Type of contact	Flat contact
Wire cross-section	1.5 - 2.5 mm ²

Disassembly/extraction tool for BDK/BSK 2.8 mm

Illustration



Product information

Product code	VAFK
Designation	General connection systems, external customers
Part number	1 928 498 167
Quotation drawing	A 928 000 635

Technical data

Contacts

Bosch micro-contact 0.6

General information

Illustration



Technical description

The Bosch micro-contact 0.6 (BMK 0.6) for 0.635 mm post contacts is specially designed for use in confined spaces. It has two contact springs and a steel overspring for greater contact force.

The tinned version of the BMK 0.6 contact is suitable for temperatures up to max. 130°C or up to 150°C if gold-plated. The primary locking function is provided by the locking spring arrangement at the overspring. A 180° change in contact fitting position and secondary locking in the area between the contact element and the crimp zone are possible.

Features

- ▶ For close contact spacing
- ▶ High long-term thermal stability (up to 150°C, Au surface)
- ▶ Secondary locking possible
- ▶ High vibration resistance
- ▶ Suitable for use with silicone gel seal

Technical features

- ▶ Wire cross-sections: 0.35...0.75 mm²
- ▶ Contact spacing: 2.5 mm
- ▶ Row spacing: 2.5 mm (4 mm)
- ▶ Temperature range: -40° C...+130° C (tinned version), -40° C...+150° C (gold-plated version)
- ▶ Wiring seal: Silicone gel seal
- ▶ Rated voltage: 20 mV...40 V (DC)
- ▶ Current-carrying capacity: Max. 6 A (at 90° C and with Au surface)
- ▶ Packaging unit: 11,000x disposable coils

All currently applicable quotation drawings and technical customer documentation for the Bosch micro-contact 0.6 product category can be found in the internet under www.bosch-connectors.com.

BMK 0.6

Illustration



Product information

Product code	KONT-BMK-SN/AG
Designation	Contact
Part number	1 928 498 000
Quotation drawing	C 928 001 99A

Technical data

Type of contact	Post contact
Contact spacing	2.5 mm
Secondary lock	Sliding pin
Type of locking (contacts)	By a locking spring arrangement at the overspring
Row spacing	2.5 mm
Contact surface	Tinned
Wire cross-section	0.35 - 0.5 mm ²
Wiring seal	Silicone gel seal
Rated voltage, from/to	20 mV (DC)/ 40 V (DC)
Current-carrying capacity	Max. 6 A

Contacts

Bosch micro-contact 0.6

BMK 0.6

Illustration



Product information

Product code	KONT-BMK-SN/AG
Designation	Contact
Part number	1 928 498 001
Quotation drawing	C 928 001 99A

Technical data

Type of contact	Post contact
Secondary lock	Sliding pin
Type of locking (contacts)	By a locking spring arrangement at the overspring
Row spacing	2.5 mm
Contact surface	Tinned
Wire cross-section	0.5 - 0.75 mm ²
Wiring seal	Silicone gel seal
Rated voltage, from/to	20 mV (DC)/ 40 V (DC)
Current-carrying capacity	Max. 6 A

BMK 0.6

Illustration



Product information

Product code	KONT-BMK-AU
Designation	Contact
Part number	1 928 498 002
Quotation drawing	C 928 001 99A

Technical data

Type of contact	Post contact
Contact spacing	2.5 mm
Secondary lock	Sliding pin
Type of locking (contacts)	By a locking spring arrangement at the overspring
Row spacing	2.5 mm
Contact surface	Gold-plated
Wire cross-section	0.35 - 0.5 mm ²
Wiring seal	Silicone gel seal
Rated voltage, from/to	20 mV (DC)/ 40 V (DC)
Current-carrying capacity	Max. 6 A

BMK 0.6

Illustration



Product information

Product code	KONT-BMK-AU
Designation	Contact
Part number	1 928 498 003
Quotation drawing	C 928 001 99A


Technical data

Contact spacing	2.5 mm
Secondary lock	Sliding pin
Type of locking (contacts)	By a locking spring arrangement at the overspring
Row spacing	2.5 mm
Contact surface	Gold-plated
Wire cross-section	0.5 - 0.75 mm ²
Wiring seal	Silicone gel seal
Rated voltage, from/to	20 mV (DC)/ 40 V (DC)
Current-carrying capacity	Max. 6 A

Contacts


Bosch micro-contact 0.6

BMK 0.6

Illustration	
	
Product information	
Product code	KONT-BMK-AU
Designation	Contact
Part number	1 928 498 005
Quotation drawing	C 928 001 99A


Technical data	
Type of contact	Post contact
Contact spacing	2.5 mm
Type of locking (contacts)	By a locking spring arrangement at the overspring
Row spacing	2.5 mm
Contact surface	Gold-plated
Wire cross-section	0.35 - 0.5 mm ²
Wiring seal	Silicone gel seal
Rated voltage, from/to	20 mV (DC)/ 40 V (DC)
Current-carrying capacity	Max. 6 A
Other features (SO)	For CAN cable

BMK 0.6

Illustration	
	
Product information	
Product code	KONT-BMK-SN/AG
Designation	Contact
Part number	1 928 498 013
Quotation drawing	A 928 000 654

Technical data	
Type of contact	Post contact
Contact spacing	2.5 mm
Type of locking (contacts)	By a locking spring arrangement at the overspring
Row spacing	2.5 mm
Contact surface	Tinned
Wire cross-section	0.35 - 0.5 mm ²
Wiring seal	Silicone gel seal
Rated voltage, from/to	20 mV (DC)/ 40 V (DC)
Current-carrying capacity	Max. 6 A

BMK 0.6

Illustration	
	
Product information	
Product code	KONT-BMK-SN/AG
Designation	Contact
Part number	1 928 498 014
Quotation drawing	A 928 000 654

Technical data	
Type of contact	Post contact
Contact spacing	2.5 mm
Type of locking (contacts)	By a locking spring arrangement at the overspring
Row spacing	2.5 mm
Contact surface	Tinned
Wire cross-section	0.5 - 0.75 mm ²
Wiring seal	Silicone gel seal
Rated voltage, from/to	20 mV (DC)/ 40 V (DC)
Current-carrying capacity	Max. 6 A

Contacts

Bosch micro-contact 0.6

BMK 0.6

Illustration



Product information

Product code	KONT-BMK-AU
Designation	Contact
Part number	1 928 498 015
Quotation drawing	A 928 000 654

Technical data

Type of contact	Post contact
Contact spacing	2.5 mm
Type of locking (contacts)	By a locking spring arrangement at the overspring
Row spacing	2.5 mm
Contact surface	Gold-plated
Wire cross-section	0.35 - 0.5 mm ²
Wiring seal	Silicone gel seal
Rated voltage, from/to	20 mV (DC)/ 40 V (DC)
Current-carrying capacity	Max. 6 A

BMK 0.6

Illustration



Product information

Product code	KONT-BMK-AU
Designation	Contact
Part number	1 928 498 016
Quotation drawing	A 928 000 654

Technical data

Type of contact	Post contact
Contact spacing	2.5 mm
Type of locking (contacts)	By a locking spring arrangement at the overspring
Row spacing	2.5 mm
Contact surface	Gold-plated
Wire cross-section	0.5 - 0.75 mm ²
Wiring seal	Silicone gel seal
Rated voltage, from/to	20 mV (DC)/ 40 V (DC)
Current-carrying capacity	Max. 6 A

Disassembly/extraction tool for BMK 0.6 mm

Illustration



Product information

Product code	VAFK
Designation	General connection systems, external customers
Part number	1 928 498 106
Quotation drawing	A 928 000 634

Technical data

Contacts

Bosch micro-contact 0.6-D

General information

Illustration



Technical description

The Bosch micro-contact 0.6-D (BMK 0.6-D) is a box-type contact used for 0.635 mm post contacts. It is designed for use in heavy-duty plug-in connections, particularly for diesel engines and diesel assemblies. The contact features a load-reducing decoupling mechanism and a steel overspring.

The tinned version of the BMK 0.6-D contact is suitable for temperatures up to max. 130°C or up to 150°C if gold-plated. The primary locking function is provided by the locking spring arrangement at the steel overspring. A 180° change in contact fitting position is possible, and also secondary locking.

Features

- ▶ For close contact spacing
- ▶ High long-term thermal stability (up to 150°C, Au surface)
- ▶ Secondary locking possible
- ▶ High vibration resistance
- ▶ Suitable for use with silicone gel seal

Technical features

- ▶ Wire cross-sections: 0.35...0.75 mm²
- ▶ Contact spacing: 2.5 mm
- ▶ Row spacing: 2.5 mm (4 mm)
- ▶ Temperature range:
 - 40° C...+130° C (tinned version)
 - 40° C...+150° C (gold-plated version)
- ▶ Wiring seal: Silicone gel seal
- ▶ Rated voltage: 20 mV...40 V (DC)
- ▶ Current-carrying capacity: Max. 6 A (at 90° C and with Au surface)
- ▶ Packaging unit: 11,000x disposable coils

All currently applicable quotation drawings and technical customer documentation for the Bosch micro-contact 0.6-D product category can be found in the internet under www.bosch-connectors.com.

BMK 0.6-D

Illustration



Technical data

Type of contact	Box-type contact
Contact spacing	2.5 mm
Type of locking (contacts)	By a locking-spring arrangement at the steel overspring
Row spacing	3.5 mm
Contact surface	Gold-plated
Wire cross-section	0.5 - 0.75 mm ²
Wiring seal	Silicone gel seal
Rated voltage, from/to	20 mV (DC) / 40 V (DC)
Current-carrying capacity:	Max. 3 A

Product information

Product code	KONT-BMKD-AU
Designation	Contact
Part number	1 928 498 006
Quotation drawing	D 928 002 84A

Contacts

Bosch micro-contact 0.6-D

BMK 0.6-D

Illustration



Product information

Product code	KONT-BMKD-AU
Designation	Contact
Part number	1 928 498 008
Quotation drawing	D 928 002 84A

Technical data

Type of contact	Box-type contact
Contact spacing	2.5 mm
Type of locking (contacts)	By a locking-spring arrangement at the steel overspring
Row spacing	3.5 mm
Contact surface	Gold-plated
Wire cross-section	0.35 mm ²
Wiring seal	Silicone gel seal
Rated voltage, from/to	20 mV (DC)/ 40 V (DC)
Current-carrying capacity	Max. 3 A
Other features (SO)	For CAN wires

Contacts

Bosch micro-contact 1.5-D

General information

Illustration



Features

- ▶ Load-reducing decoupling mechanism
- ▶ High long-term thermal stability (up to 150°C, Au surface)
- ▶ Secondary locking possible
- ▶ High vibration resistance
- ▶ Suitable for use with silicone gel seal

Technical description

The Bosch micro-contact 1.5-D (BMK 1.5-D) is a box-type contact used for 1.5 x 0.63 mm blade contacts. It is designed for use in heavy-duty plug-in connections, particularly for diesel engines and diesel assemblies. The contact features a load-reducing decoupling mechanism and a steel overspring.

The tinned version of the BMK 1.5-D contact is suitable for temperatures up to max. 130°C or up to 150°C if gold-plated. The primary-locking function is provided by two locking springs at the steel overspring. A 180° change in contact fitting position is possible, and also secondary locking.

Technical features

- ▶ Wire cross-sections: 0.75...2.5 mm²
- ▶ Contact spacing:
Horizontal 4.5 mm
Row spacing: 4.3 mm (two rows)
- ▶ Temperature range:
-40° C...+130° C (tinned version)
-40° C...+150° C (gold-plated version)
- ▶ Wiring seal: Silicone gel seal
- ▶ Rated voltage: 20 mV...40 V (DC)
- ▶ Current-carrying capacity: Max. 7 A (at 110° C and with Au surface)
- ▶ Packaging unit: 3,500x disposable coils

All currently applicable quotation drawings and technical customer documentation for the Bosch micro-contact 1.5-D product category can be found in the internet under www.bosch-connectors.com.

BMK 1.5-D

Illustration



Product information

Product code	KONT-BMKD-AU
Designation	Contact
Part number	1 928 498 007
Quotation drawing	D 928 002 85A

Technical data

Type of contact	Box-type contact
Contact spacing	4.5 mm
Type of locking (contacts)	By 2 locking springs at the steel overspring
Row spacing	4.3 mm
Contact surface	Gold-plated
Wire cross-section	1.0 - 1.5 mm ²
Wiring seal	Silicone gel seal
Rated voltage, from/to	20 mV (DC)/ 40 V (DC)
Current-carrying capacity:	Max. 7 A

Contacts

Bosch micro-contact 1.5-D

Disassembly tool for BMK 1.5-D

Illustration



Technical data

Type of contact	Box-type contact
Contact spacing	4.5 mm
Type of locking (contacts)	By 2 locking springs at the steel overspring
Row spacing	4.3 mm
Wire cross-section	0.75...2.5 mm ²
Wiring seal	Silicone gel seal
Rated voltage, from/to	20 mV (DC)/ 40 V (DC)
Current-carrying capacity	Max. 7 A

Product information

Product code	VAFK
Designation	General connection systems, external customers
Part number	1 928 498 114
Quotation drawing	D 928 002 85A

Contacts

Bosch sensor contact 2.8

General information



Technical description

The Bosch sensor contact 2.8 (BSK 2.8) is a flat contact for 2.8 x 0.8 mm blade contacts. A special spring mechanism protects the contact point against fretting.

The BSK 2.8 was developed for plug-in connections subjected to high levels of vibration (direct engine attachment). The tinned version of the contact is suitable for temperatures up to max. 130°C or up to 150°C if gold-plated. The primary-locking function is provided by the locking-spring arrangement. Secondary locking is possible from four sides between the contact element and the crimping area and from two sides in the area in front of the locking springs.

Features

- ▶ For high vibration resistance
- ▶ Suitable for use up to 150°C (Au surface)
- ▶ Secondary locking possible
- ▶ 4 contact points

Technical features

- ▶ Wire cross-sections: 0.5...2.5 mm²
- ▶ Contact spacing: 5 mm
- ▶ Row spacing: 5 mm (5.5 mm)
- ▶ Temperature range:
 - 40° C...+130° C (tinned version)
 - 40° C...+150° C (gold-plated version)
- ▶ Wiring seal: Individual wire seal
- ▶ Rated voltage: 20 mV...40 V (DC)
- ▶ Current-carrying capacity: Max. 14 A (at 90° C and with Au surface)
- ▶ Packaging unit: 4,500x disposable coils

All currently applicable quotation drawings and technical customer documentation for the Bosch sensor contact 2.8 product category can be found in the internet under www.bosch-connectors.com.

BSK 2.8



Technical data

Type of contact	Flat contact
Contact spacing	5 mm
Secondary lock	Locking plate
Type of locking (contacts)	By locking-spring arrangement
Row spacing	5 mm
Contact surface	Tinned
Wire cross-section	0.5 - 1.0 mm ²
Wiring seal	Individual wire seal
Rated voltage, from/to	20 mV (DC)/ 40 V (DC)
Current-carrying capacity	Max. 14 A

Product information

Product code	KONT-BDK/BSK-SN/AG
Designation	Contact
Part number	1 928 498 060
Quotation drawing	C 928 002 37A

Contacts

Bosch sensor contact 2.8

BSK 2.8

Illustration



Product information

Product code	KONT-BDK/BSK-SN/AG
Designation	Contact
Part number	1 928 498 061
Quotation drawing	C 928 002 37A

Technical data

Type of contact	Flat contact
Contact spacing	5 mm
Secondary lock	Locking plate
Type of locking (contacts)	By locking-spring arrangement
Row spacing	5 mm
Contact surface	Tinned
Wire cross-section	1.5 - 2.5 mm ²
Wiring seal	Individual wire seal
Rated voltage, from/to	20 mV (DC)/ 40 V (DC)
Current-carrying capacity	Max. 14 A

BSK 2.8

Illustration



Product information

Product code	KONT-BDK/BSK-AU
Designation	Contact
Part number	1 928 498 062
Quotation drawing	C 928 002 37A

Technical data

Type of contact	Flat contact
Contact spacing	5 mm
Type of locking (contacts)	By locking-spring arrangement
Row spacing	5 mm
Contact surface	Gold-plated
Wire cross-section	0.5 - 1.0 mm ²
Wiring seal	Individual wire seal
Rated voltage, from/to	20 mV (DC)/ 40 V (DC)
Current-carrying capacity	Max. 14 A

BSK 2.8

Illustration



Product information

Product code	KONT-BDK/BSK-AU
Designation	Contact
Part number	1 928 498 063
Quotation drawing	C 928 002 37A

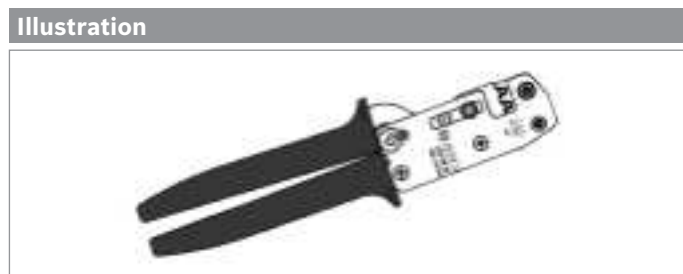
Technical data

Type of contact	Flat contact
Contact spacing	5 mm
Secondary lock	Locking plate
Type of locking (contacts)	By locking-spring arrangement
Row spacing	5 mm
Contact surface	Gold-plated
Wire cross-section	1.5 - 2.5 mm ²
Wiring seal	Individual wire seal
Rated voltage, from/to	20 mV (DC)/ 40 V (DC)
Current-carrying capacity	Max. 14 A

Contacts

Bosch sensor contact 2.8

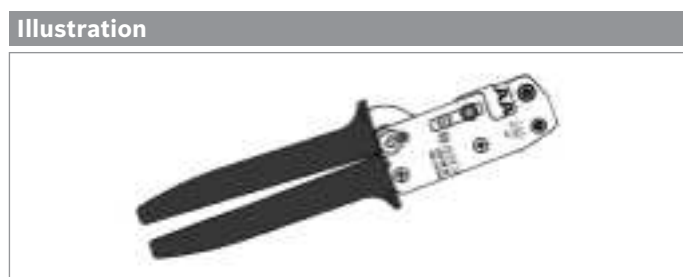
Hand crimping tool for BDK/BSK 2.8



Product information	
Product code	VAFK
Designation	General connection systems, external customers
Part number	1 928 498 161
Quotation drawing	0 928 A00 038

Technical data	
Wire cross-section	0.5; 0.75; 1 mm ²

Hand crimping tool for BDK/BSK 2.8



Product information	
Product code	VAFK
Designation	General connection systems, external customers
Part number	1 928 498 162
Quotation drawing	0 928 A00 038

Technical data	
Type of contact	Flat contact
Wire cross-section	1.5 - 2.5 mm ²

Disassembly/extraction tool for BDK/BSK 2.8 mm



Product information	
Product code	VAFK
Designation	General connection systems, external customers
Part number	1 928 498 167
Quotation drawing	A 928 000 635

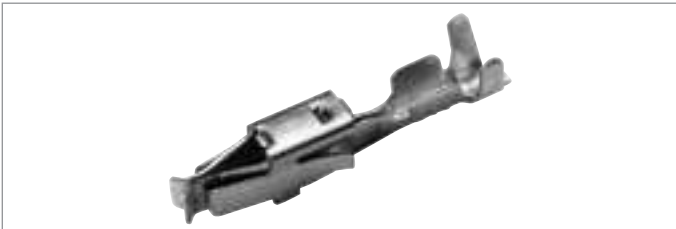
Technical data	
----------------	--

Contacts

JPT-contacts

JPT contact

Illustration



Product information

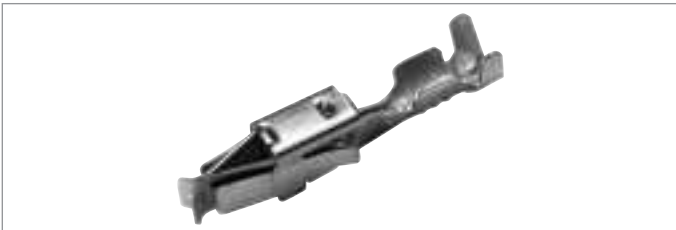
Product code	KONT
Designation	Contact
Part number	1 284 477 176
Quotation drawing	C 280 209 816

Technical data

Contact surface	Tinned
Wire cross-section	0.5 - 1.0 mm ²

JPT contact

Illustration



Product information

Product code	KONT
Designation	Contact
Part number	1 284 477 178
Quotation drawing	C 280 209 818

Technical data

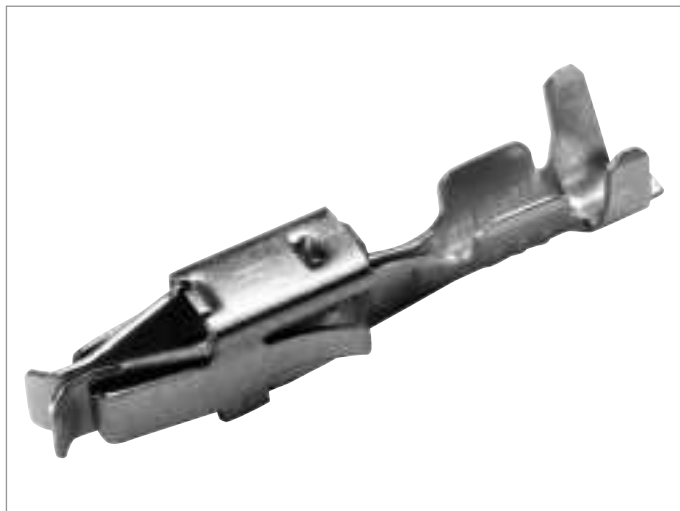
Contact surface	Tinned
Wire cross-section	0.5 - 1.0 mm ²

Contacts

Matrix contact 1.2

General information

Illustration



Technical description

The jack „Matrix 1.2“ is a two-piece box-type contact for use on 1.2 x 0.63 mm post contacts. Primary locking is provided by a locking spring at the steel overspring. The contact is suitable for a common seal or individual wire seal depending on the version. The contact is inserted in the contact cavity in a particular position. A mixture of contacts is not permissible.

Features

- ▶ Suitable for use up to 150°C (Ag and Au surface)
- ▶ 4 contact points

Technical features

- ▶ Wire cross-sections: 0.35...1.5 mm²
- ▶ Temperature range: -40...+130° C (tinned version)
- ▶ -40...+150° C (gold and silver-plated versions)
- ▶ Contact spacing: 2.5 ... 4.0 mm
- ▶ Row spacing: 2.5 ... 3.5 mm
- ▶ Wiring seal: Depending on version
- ▶ Rated voltage: 50 mV ... 42 V (DC)
- ▶ Current-carrying capacity: Refer to derating curve in TKU
- ▶ Packaging unit: 5,000x disposable coils

All currently applicable quotation drawings and technical customer documentation for the matrix contact 1.2 product category can be found in the internet under www.bosch-connectors.com.

Matrix contact 1.2

Illustration



Technical data

Type of contact	Box-type contact
Contact spacing	2.5 ... 4.0 mm
Type of locking (contacts)	By a locking spring at the steel overspring
Row spacing	2.5...3.5 mm
Contact surface	Silver-plated
Wire cross-section	0.35...0.5 mm ²
Wiring seal	Individual wire seal or common seal
Rated voltage, from/to	50 mV (DC)/ 42 V (DC)
Current-carrying capacity	Max. 19 A

Product information

Product code	KONT-MATRIX-SN/AG
Designation	Contact
Part number	1 928 498 134
Quotation drawing	1 928 A00 168
Processing specifications	1 928 A00 47M

Contacts

Matrix contact 1.2

Matrix contact 1.2

Illustration



Product information

Product code	KONT-MATRIX-SN/AG
Designation	Contact
Part number	1 928 498 135
Quotation drawing	1 928 A00 168
Processing specifications	1 928 A00 47M

Technical data

Type of contact	Box-type contact
Contact spacing	2.5 ... 4.0 mm
Type of locking (contacts)	By a locking spring arrangement at the steel overspring
Row spacing	2.5 ... 3.5 mm
Contact surface	Silver-plated
Wire cross-section	0.75...1.0 mm ²
Wiring seal	Individual wire seal or common seal
Rated voltage, from/to	50 mV (DC)/ 42 V (DC)
Current-carrying capacity	Max. 19 A

Matrix contact 1.2

Illustration



Product information

Product code	KONT-MATRIX-SN/AG
Designation	Contact
Part number	1 928 498 136
Quotation drawing	1 928 A00 168
Processing specifications	1 928 A00 47M

Technical data

Type of contact	Box-type contact
Contact spacing	2.5 ... 4.0 mm
Type of locking (contacts)	By a locking spring arrangement at the steel overspring
Row spacing	2.5 ... 3.5 mm
Contact surface	Silver-plated
Wire cross-section	1.5 mm ²
Wiring seal	Individual wire seal or common seal
Rated voltage, from/to	50 mV (DC)/ 42 V (DC)
Current-carrying capacity	Max. 19 A

Matrix contact 1.2

Illustration



Product information

Product code	KONT-MATRIX-SN/AG
Designation	Contact
Part number	1 928 498 137
Quotation drawing	1 928 A00 168
Processing specifications	1 928 A00 47M


Technical data

Type of contact	Box-type contact
Contact spacing	2.5 ... 4.0 mm
Type of locking (contacts)	By a locking spring arrangement at the steel overspring
Row spacing	2.5 ... 3.5 mm
Contact surface	Tinned
Wire cross-section	0.35...0.5 mm ²
Wiring seal	Individual wire seal or common seal
Rated voltage, from/to	50 mV (DC)/ 42 V (DC)
Current-carrying capacity	Max. 19 A


Contacts

Matrix contact 1.2

Matrix contact 1.2

Illustration		Technical data	
		Type of contact	Box-type contact
		Contact spacing	2.5 ... 4.0 mm
		Type of locking (contacts)	By a locking spring arrangement at the steel overspring
		Row spacing	2.5 ... 3.5 mm
		Contact surface	Tinned
		Wire cross-section	0.75...1.0 mm ²
		Wiring seal	Individual wire seal or common seal
		Rated voltage, from/to	50 mV (DC)/ 42 V (DC)
		Current-carrying capacity	Max. 19 A
Product information			
Product code	KONT-MATRIX-SN/AG		
Designation	Contact		
Part number	1 928 498 138		
Quotation drawing	1 928 A00 168		
Processing specifications	1 928 A00 47M		

Matrix contact 1.2

Illustration		Technical data	
		Type of contact	Flat contact
		Contact spacing	2.5 ... 4.0 mm
		Type of locking (contacts)	By a locking spring arrangement at the steel overspring
		Row spacing	2.5 ... 3.5 mm
		Contact surface	Tinned
		Wire cross-section	1.5 mm ²
		Wiring seal	Individual wire seal or common seal
		Rated voltage, from/to	50 mV (DC)/ 42 V (DC)
		Current-carrying capacity	Max. 19 A
Product information			
Product code	KONT-MATRIX-SN/AG		
Designation	Contact		
Part number	1 928 498 139		
Quotation drawing	1 928 A00 168		
Processing specifications	1 928 A00 47M		

Straps



Note

Bosch supplies a full range of connections for automotive vehicle electronic systems.

Special features of Bosch plug-in connections:

- Long service life
- Well-protected against water, moisture and salt spray
- Thermally stable
- Vibration-resistant
- Designed for easy connection and integral assembly

The complete range of low-way plug-in connections is listed in the following section. The full product range can also be found in the internet under

www.bosch-connectors.com.

Straps

Strap

Illustration



Product information

Product code	VAFK
Designation	General connection systems, external customers
Part number	1 281 010 002
Quotation drawing (component)	C 280 202 217A

Technical data

Secondary lock	None
Dimensions (L x W x H)	160.00 x 4.50 x 3.20 mm

Strap

Illustration



Product information

Product code	VAFK
Designation	General connection systems, external customers
Part number	1 928 401 280
Quotation drawing (component)	C 280 208 198

Technical data

Color (FA)	Black
Secondary lock	None
Dimensions (L x W x H)	126.00 x 2.80 x 4.00 mm
Other features (SO)	Lock, parallel

Strap

Illustration



Product information

Product code	VAFK
Designation	General connection systems, external customers
Part number	1 928 401 283
Quotation drawing (component)	C 280 208 198

Technical data

Color (FA)	Black
Secondary lock	None
Dimensions (L x W x H)	126.00 x 2.80 x 4.00 mm
Other features (SO)	Lock, parallel

Straps

Strap

Illustration



Product information

Product code	VAFK
Designation	General connection systems, external customers
Part number	1 928 401 713
Quotation drawing (component)	C 265 152 006

Technical data

Color (FA)	Black
------------	-------

Strap

Illustration



Product information

Product code	VAFK
Designation	General connection systems, external customers
Part number	1 928 403 358
Quotation drawing (component)	C 928 002 17A

Technical data

Sleeves



Note

Bosch supplies a full range of connections for automotive electronic systems.

Special features of Bosch plug-in connections:

- Long service life
- Well-protected against water, moisture and salt spray
- Thermally stable
- Vibration-resistant
- Designed for easy connection and integral assembly

The complete range of low-way plug-in connections is listed in the following section. The full product range can also be found in the internet under

www.bosch-connectors.com.

Sleeves

2-way sleeve

Illustration



Product information

Product code	VDI-TUE
Designation	Protective cap / sleeve
Part number	1 220 703 004
Quotation drawing (component)	C 227 001 218

Technical data

Secondary lock	None
Dimensions (L x W x H)	57.00 x 20.50 x 20.50 mm

2-way sleeve

Illustration



Product information

Product code	VDI-TUE
Designation	Protective cap / sleeve
Part number	1 220 703 005
Quotation drawing (component)	C 227 001 227

Technical data

No. of poles	2
Color (FA)	Black
Secondary lock	None
Dimensions (L x W x H)	57.00 x 20.50 x 20.50 mm

Protective cap / sleeve

Illustration



Product information

Product code	VDI-TUE
Designation	Protective cap / sleeve
Part number	1 250 703 001
Quotation drawing (component)	C 227 001 218

Technical data

Sleeves

2-way sleeve

Illustration



Product information

Product code	VDI-TUE
Designation	Protective cap / sleeve
Part number	1 280 703 021
Quotation drawing (component)	C 352 400 013

Technical data

No. of poles	2
Secondary lock	None
Dimensions (L x W x H)	37.00 x 16.50 x 16.50 mm

3-way sleeve

Illustration



Product information

Product code	VDI-TUE
Designation	Protective cap / sleeve
Part number	1 280 703 022
Quotation drawing (component)	C 280 202 393

Technical data

No. of poles	3
Color (FA)	Black
Secondary lock	None
Dimensions (L x W x H)	57.00 x 25.50 x 25.50 mm

4-way sleeve

Illustration



Product information

Product code	VDI-TUE
Designation	Protective cap / sleeve
Part number	1 280 703 023
Quotation drawing (component)	C 280 202 393

Technical data

No. of poles	4
Color (FA)	Black
Secondary lock	None
Dimensions (L x W x H)	57.00 x 30.00 x 30.00 mm
Other features (SO)	Standard

Sleeves

5-way sleeve

Illustration



Product information

Product code	VDI-TUE
Designation	Protective cap / sleeve
Part number	1 280 703 024
Quotation drawing (component)	C 280 202 393

Technical data

No. of poles	5
Color (FA)	Black
Secondary lock	None
Dimensions (L x W x H)	35.00 x 35.00 x 57.00 mm
Other features (SO)	Standard

6-way sleeve

Illustration



Product information

Product code	VDI-TUE
Designation	Protective cap / sleeve
Part number	1 280 703 025
Quotation drawing (component)	C 280 202 393

Technical data

No. of poles	6
Secondary lock	None
Dimensions (L x W x H)	57.00 x 40.00 x 40.00 mm

2-way sleeve

Illustration



Product information

Product code	VDI-TUE
Designation	Protective cap / sleeve
Part number	1 280 703 026
Quotation drawing (component)	C 280 202 393

Technical data

No. of poles	2
Secondary lock	None
Dimensions (L x W x H)	57.00 x 22.50 x 22.50 mm

Sleeves

7-way sleeve

Illustration



Product information

Product code	VDI-TUE
Designation	Protective cap / sleeve
Part number	1 280 703 027
Quotation drawing (component)	C 280 202 393

Technical data

No. of poles	7
Secondary lock	None
Dimensions (L x W x H)	45.00 x 45.00 x 57.00 mm
Degree of protection	IPX4

3-way sleeve

Illustration



Product information

Product code	VDI-TUE
Designation	Protective cap / sleeve
Part number	1 280 703 029
Quotation drawing (component)	C 280 202 393

Technical data

No. of poles	3
Color (FA)	Black
Secondary lock	None
Dimensions (L x W x H)	57.00 x 25.50 x 25.50 mm

2-way sleeve

Illustration



Product information

Product code	VDI-TUE
Designation	Protective cap / sleeve
Part number	1 280 703 031
Quotation drawing (component)	C 280 202 393

Technical data

Secondary lock	None
Comments	However for higher temperatures

Sleeves

2-way sleeve

Illustration



Product information

Product code	VDI-TUE
Designation	Protective cap / sleeve
Part number	1 280 703 033
Quotation drawing (component)	C 280 204 218

Technical data

Color (FA)	Black
Secondary lock	None
Dimensions (L x W x H)	50.30 x 17.50 x 19.20 mm

Sleeve > 18 mm

Illustration



Product information

Product code	VDI-TUE
Designation	Protective cap / sleeve
Part number	1 928 300 192
Quotation drawing (component)	C 280 204 824

Technical data

Secondary lock	None
Dimensions (L x W x H)	102.50 x 28.50 x 21.00 mm

25/35-way sleeve, 12 - 15 mm

Illustration



Product information

Product code	VDI-TUE
Designation	Protective cap / sleeve
Part number	1 928 300 194
Quotation drawing (assembly)	A 928 000 354
Quotation drawing (component)	C 280 208 138

Technical data

Sleeves

Sleeve

Illustration



Product information

Product code	VDI-TUE
Designation	Protective cap / sleeve
Part number	1 928 300 245
Quotation drawing (component)	C 261 200 678

Technical data

Color (FA)	Black
Dimensions (L x W x H)	x x 22.00 mm

Sleeve > 20 mm

Illustration



Product information

Product code	VDI-TUE
Designation	Protective cap / sleeve
Part number	1 928 300 271
Quotation drawing (component)	C 261 200 535

Technical data

Sleeve > 18 mm

Illustration



Product information

Product code	VDI-TUE
Designation	Protective cap / sleeve
Part number	1 928 300 284
Quotation drawing (component)	C 280 204 824

Technical data

Secondary lock	None
Dimensions (L x W x H)	102.50 x 28.50 x 21.00 mm

Sleeves

88-way sleeve

Illustration



Product information

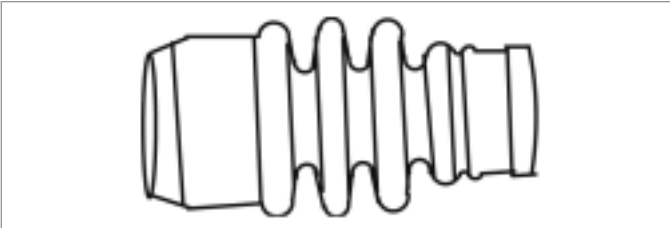
Product code	VDI-TUE
Designation	Protective cap / sleeve
Part number	1 928 300 471
Quotation drawing (component)	C 928 001 20A

Technical data

No. of poles	88
Color (FA)	Black
Secondary lock	None
Dimensions (L x W x H)	100.30 x 31.50 x 31.50 mm
Other features (SO)	Tight

37/38/64-way sleeve

Illustration



Product information

Product code	VDI-TUE
Designation	Protective cap / sleeve
Part number	1 928 300 520
Quotation drawing (assembly)	A 928 000 218
Quotation drawing (component)	C 928 001 74A

Technical data

Color (FA)	Black
Comments	Grooved tube OD 19 - 24 mm

Straight 2 - 4-way sleeve

Illustration



Product information

Product code	VDI-TUE
Designation	Protective cap / sleeve
Part number	1 928 300 527
Quotation drawing (component)	1 928 A00 257

Technical data

Color (FA)	Black
Secondary lock	None

Sleeves

Sleeve version 1; 2-way

Illustration



Product information

Product code	VDI-TUE
Designation	Protective cap / sleeve
Part number	1 928 300 528
Quotation drawing (component)	1 928 A00 257

Technical data

No. of poles	2
Color (FA)	Black
Outgoing cable direction (KR)	Left/right
Secondary lock	None

Sleeve version 1; 3-way

Illustration



Product information

Product code	VDI-TUE
Designation	Protective cap / sleeve
Part number	1 928 300 529
Quotation drawing (component)	1 928 A00 257

Technical data

No. of poles	3
Color (FA)	Black
Outgoing cable direction (KR)	Left/right
Secondary lock	None

Sleeve version 2; 2-way

Illustration



Product information

Product code	VDI-TUE
Designation	Protective cap / sleeve
Part number	1 928 300 530
Quotation drawing (component)	1 928 A00 257

Technical data

No. of poles	2
Color (FA)	Black
Outgoing cable direction (KR)	Front, rear
Secondary lock	None

Sleeves

Sleeve version 2; 3-way

Illustration



Product information

Product code	VDI-TUE
Designation	Protective cap / sleeve
Part number	1 928 300 531
Quotation drawing (component)	1 928 A00 257

Technical data

No. of poles	3
Color (FA)	Black
Outgoing cable direction (KR)	Front, rear
Secondary lock	None

Sleeve version 2; 5-way

Illustration



Product information

Product code	VDI-TUE
Designation	Protective cap / sleeve
Part number	1 928 300 571
Quotation drawing (component)	1 928 A00 257

Technical data

No. of poles	5
Color (FA)	Black
Outgoing cable direction (KR)	Front, rear
Secondary lock	None

Sleeve version 1; 5-way

Illustration



Product information

Product code	VDI-TUE
Designation	Protective cap / sleeve
Part number	1 928 300 572
Quotation drawing (component)	1 928 A00 257

Technical data

No. of poles	5
Color (FA)	Black
Outgoing cable direction (KR)	Left/right
Secondary lock	None

Sleeves

2/3-way sleeve

Illustration



Product information

Product code	VDI-TUE
Designation	Protective cap / sleeve
Part number	1 928 300 694
Quotation drawing (component)	1 928 A00 257

Technical data

Color (FA)	Black
Secondary lock	None
Dimensions (L x W x H)	43.10 x 14.00 x 14.00 mm
Other features (SO)	Silicone 40 Shore A

4-way sleeve

Illustration



Product information

Product code	VDI-TUE
Designation	Protective cap / sleeve
Part number	1 928 300 704
Quotation drawing (component)	C 280 202 393

Technical data

2-way sleeve

Illustration



Product information

Product code	VDI-TUE
Designation	Protective cap / sleeve
Part number	1 928 300 729
Quotation drawing (component)	C 280 202 393

Technical data

No. of poles	2
--------------	---

List of part numbers

Part number	Page	Part number	Page	Part number	Page	Part number	Page	Part number	Page
0 281 002 050	85	1 928 300 271	124	1 928 401 594	183	1 928 402 603	16	1 928 403 095	93
0 281 002 051	85	1 928 300 271	156	1 928 401 625	160	1 928 402 638	17	1 928 403 110	25
0 281 002 052	85	1 928 300 271	235	1 928 401 645	128	1 928 402 639	17	1 928 403 112	25
0 281 002 133	86	1 928 300 276	87	1 928 401 646	88	1 928 402 648	17	1 928 403 122	186
0 281 002 999	122	1 928 300 277	87	1 928 401 647	88	1 928 402 652	18	1 928 403 127	117
0 928 400 205	154	1 928 300 283	163	1 928 401 676	160	1 928 402 768	165	1 928 403 131	117
0 928 400 261	155	1 928 300 283	176	1 928 401 713	101	1 928 402 768	178	1 928 403 137	25
0 928 400 343	86	1 928 300 283	182	1 928 401 713	135	1 928 402 806	22	1 928 403 146	26
1 134 486 005	123	1 928 300 284	235	1 928 401 713	227	1 928 402 824	105	1 928 403 187	93
1 220 703 004	230	1 928 300 471	164	1 928 401 786	184	1 928 402 868	24	1 928 403 192	54
1 220 703 005	230	1 928 300 471	236	1 928 401 810	149	1 928 402 874	149	1 928 403 194	55
1 224 485 018	20	1 928 300 520	134	1 928 401 920	11	1 928 402 887	149	1 928 403 196	55
1 224 485 024	21	1 928 300 520	171	1 928 401 962	128	1 928 402 889	150	1 928 403 198	55
1 250 703 001	230	1 928 300 520	236	1 928 401 962	130	1 928 402 906	23	1 928 403 200	56
1 254 487 003	21	1 928 300 527	236	1 928 401 962	161	1 928 402 908	18	1 928 403 202	26
1 280 703 021	231	1 928 300 528	237	1 928 401 963	128	1 928 402 936	106	1 928 403 204	56
1 280 703 022	231	1 928 300 529	237	1 928 401 963	131	1 928 402 942	106	1 928 403 214	18
1 280 703 023	231	1 928 300 530	237	1 928 401 963	161	1 928 402 944	106	1 928 403 217	117
1 280 703 024	232	1 928 300 531	238	1 928 401 964	131	1 928 402 950	162	1 928 403 218	118
1 280 703 025	232	1 928 300 571	238	1 928 401 980	131	1 928 402 952	107	1 928 403 220	26
1 280 703 026	232	1 928 300 572	238	1 928 401 982	132	1 928 402 953	107	1 928 403 222	56
1 280 703 027	233	1 928 300 694	239	1 928 401 984	132	1 928 402 956	107	1 928 403 228	23
1 280 703 029	233	1 928 300 704	239	1 928 401 985	132	1 928 402 957	108	1 928 403 238	27
1 280 703 031	233	1 928 300 729	239	1 928 401 986	133	1 928 402 958	108	1 928 403 268	19
1 280 703 033	234	1 928 400 889	125	1 928 401 987	133	1 928 402 964	108	1 928 403 304	135
1 281 010 002	226	1 928 400 892	125	1 928 402 028	184	1 928 402 965	109	1 928 403 316	135
1 281 099 005	123	1 928 400 895	125	1 928 402 032	184	1 928 402 969	109	1 928 403 319	136
1 284 477 176	220	1 928 400 898	126	1 928 402 034	185	1 928 402 973	109	1 928 403 335	146
1 284 477 177	123	1 928 400 899	126	1 928 402 070	11	1 928 402 977	110	1 928 403 340	147
1 284 477 178	220	1 928 400 950	98	1 928 402 078	12	1 928 402 995	110	1 928 403 341	147
1 284 485 064	6	1 928 400 952	99	1 928 402 086	12	1 928 402 996	110	1 928 403 347	89
1 284 485 098	7	1 928 400 992	99	1 928 402 088	12	1 928 403 001	111	1 928 403 348	89
1 284 485 108	7	1 928 401 004	99	1 928 402 146	161	1 928 403 002	111	1 928 403 358	167
1 284 485 110	7	1 928 401 013	100	1 928 402 160	164	1 928 403 003	111	1 928 403 358	227
1 284 485 114	8	1 928 401 123	126	1 928 402 160	177	1 928 403 004	112	1 928 403 379	172
1 284 485 118	8	1 928 401 193	127	1 928 402 174	177	1 928 403 005	112	1 928 403 386	172
1 284 485 120	8	1 928 401 280	156	1 928 402 175	177	1 928 403 006	112	1 928 403 393	172
1 284 485 126	9	1 928 401 280	226	1 928 402 198	164	1 928 403 008	113	1 928 403 394	173
1 284 485 134	9	1 928 401 283	226	1 928 402 198	178	1 928 403 009	113	1 928 403 419	147
1 284 485 136	9	1 928 401 299	156	1 928 402 199	165	1 928 403 011	113	1 928 403 421	148
1 284 485 138	10	1 928 401 300	157	1 928 402 199	178	1 928 403 012	114	1 928 403 422	27
1 284 485 141	10	1 928 401 308	157	1 928 402 404	13	1 928 403 013	114	1 928 403 422	33
1 284 485 147	10	1 928 401 310	157	1 928 402 405	13	1 928 403 015	114	1 928 403 422	39
1 284 485 210	86	1 928 401 316	158	1 928 402 406	13	1 928 403 018	115	1 928 403 422	47
1 284 485 212	87	1 928 401 346	88	1 928 402 407	14	1 928 403 019	115	1 928 403 422	57
1 284 485 232	11	1 928 401 383	158	1 928 402 412	14	1 928 403 020	115	1 928 403 422	69
1 928 300 182	124	1 928 401 387	158	1 928 402 413	14	1 928 403 024	116	1 928 403 422	75
1 928 300 191	98	1 928 401 389	159	1 928 402 414	15	1 928 403 061	185	1 928 403 423	27
1 928 300 192	234	1 928 401 403	159	1 928 402 448	21	1 928 403 065	185	1 928 403 423	34
1 928 300 194	98	1 928 401 409	127	1 928 402 449	22	1 928 403 075	165	1 928 403 423	40
1 928 300 194	234	1 928 401 453	159	1 928 402 452	22	1 928 403 075	179	1 928 403 423	48
1 928 300 245	124	1 928 401 460	160	1 928 402 571	15	1 928 403 075	186	1 928 403 423	57
1 928 300 245	155	1 928 401 565	127	1 928 402 579	15	1 928 403 083	116	1 928 403 423	70
1 928 300 245	235	1 928 401 570	183	1 928 402 587	16	1 928 403 084	116	1 928 403 423	76
1 928 300 246	155	1 928 401 587	183	1 928 402 595	16	1 928 403 094	92	1 928 403 424	28

List of part numbers

Part number	Page	Part number	Page	Part number	Page	Part number	Page	Part number	Page
1 928 403 424	34	1 928 403 646	197	1 928 404 082	145	1 928 404 621	152	1 928 404 889	74
1 928 403 424	40	1 928 403 647	198	1 928 404 083	145	1 928 404 623	153	1 928 404 889	82
1 928 403 424	57	1 928 403 648	198	1 928 404 114	50	1 928 404 624	153	1 928 404 890	32
1 928 403 424	62	1 928 403 649	198	1 928 404 127	120	1 928 404 627	44	1 928 404 890	46
1 928 403 424	70	1 928 403 672	180	1 928 404 128	121	1 928 404 629	44	1 928 404 890	61
1 928 403 424	76	1 928 403 673	181	1 928 404 156	77	1 928 404 631	44	1 928 404 890	67
1 928 403 425	28	1 928 403 698	41	1 928 404 160	78	1 928 404 635	84	1 928 404 890	82
1 928 403 425	34	1 928 403 722	29	1 928 404 163	78	1 928 404 637	139	1 928 404 993	68
1 928 403 425	40	1 928 403 736	64	1 928 404 166	78	1 928 404 637	192	1 928 491 154	129
1 928 403 425	58	1 928 403 738	64	1 928 404 190	199	1 928 404 641	80	1 928 491 154	133
1 928 403 425	63	1 928 403 740	65	1 928 404 195	200	1 928 404 648	80	1 928 491 154	139
1 928 403 425	70	1 928 403 742	65	1 928 404 196	200	1 928 404 655	51	1 928 491 154	162
1 928 403 425	76	1 928 403 809	72	1 928 404 197	200	1 928 404 656	51	1 928 491 167	129
1 928 403 426	28	1 928 403 812	59	1 928 404 199	201	1 928 404 657	52	1 928 491 167	140
1 928 403 426	41	1 928 403 813	30	1 928 404 200	201	1 928 404 658	66	1 928 491 167	162
1 928 403 426	58	1 928 403 815	59	1 928 404 201	201	1 928 404 678	52	1 928 491 167	166
1 928 403 426	63	1 928 403 820	136	1 928 404 202	202	1 928 404 706	84	1 928 491 167	187
1 928 403 426	77	1 928 403 822	136	1 928 404 203	138	1 928 404 707	45	1 928 498 000	209
1 928 403 427	29	1 928 403 836	65	1 928 404 203	191	1 928 404 745	36	1 928 498 001	210
1 928 403 427	58	1 928 403 856	191	1 928 404 205	175	1 928 404 777	193	1 928 498 002	210
1 928 403 427	63	1 928 403 870	42	1 928 404 213	50	1 928 404 778	174	1 928 498 003	210
1 928 403 431	71	1 928 403 874	48	1 928 404 215	51	1 928 404 797	104	1 928 498 005	211
1 928 403 432	29	1 928 403 876	48	1 928 404 219	43	1 928 404 825	36	1 928 498 006	213
1 928 403 432	41	1 928 403 878	49	1 928 404 221	43	1 928 404 878	95	1 928 498 007	215
1 928 403 432	59	1 928 403 913	42	1 928 404 225	72	1 928 404 879	95	1 928 498 008	214
1 928 403 432	64	1 928 403 914	60	1 928 404 287	179	1 928 404 880	153	1 928 498 013	211
1 928 403 432	77	1 928 403 915	30	1 928 404 324	168	1 928 404 881	170	1 928 498 014	211
1 928 403 436	71	1 928 403 920	42	1 928 404 329	168	1 928 404 882	170	1 928 498 015	212
1 928 403 440	71	1 928 403 938	141	1 928 404 330	168	1 928 404 886	31	1 928 498 016	212
1 928 403 441	72	1 928 403 939	142	1 928 404 337	91	1 928 404 886	37	1 928 498 054	206
1 928 403 453	83	1 928 403 940	142	1 928 404 362	174	1 928 404 886	45	1 928 498 055	207
1 928 403 454	188	1 928 403 941	142	1 928 404 368	79	1 928 404 886	52	1 928 498 056	207
1 928 403 459	189	1 928 403 942	143	1 928 404 375	192	1 928 404 886	60	1 928 498 057	207
1 928 403 460	189	1 928 403 943	143	1 928 404 392	169	1 928 404 886	66	1 928 498 060	217
1 928 403 462	189	1 928 403 966	49	1 928 404 394	169	1 928 404 886	73	1 928 498 061	218
1 928 403 467	138	1 928 403 968	49	1 928 404 396	169	1 928 404 886	81	1 928 498 062	218
1 928 403 467	190	1 928 403 970	50	1 928 404 406	102	1 928 404 887	31	1 928 498 063	218
1 928 403 468	190	1 928 403 974	137	1 928 404 408	102	1 928 404 887	37	1 928 498 106	212
1 928 403 489	118	1 928 404 021	186	1 928 404 410	102	1 928 404 887	45	1 928 498 114	216
1 928 403 490	19	1 928 404 025	90	1 928 404 420	19	1 928 404 887	53	1 928 498 134	221
1 928 403 511	138	1 928 404 032	119	1 928 404 476	43	1 928 404 887	60	1 928 498 135	222
1 928 403 511	190	1 928 404 035	119	1 928 404 491	103	1 928 404 887	73	1 928 498 136	222
1 928 403 513	173	1 928 404 036	119	1 928 404 492	103	1 928 404 887	81	1 928 498 137	222
1 928 403 514	173	1 928 404 037	120	1 928 404 494	103	1 928 404 888	31	1 928 498 138	223
1 928 403 550	118	1 928 404 039	120	1 928 404 525	66	1 928 404 888	37	1 928 498 139	223
1 928 403 609	191	1 928 404 068	174	1 928 404 543	139	1 928 404 888	46	1 928 498 161	203
1 928 403 632	194	1 928 404 072	35	1 928 404 543	192	1 928 404 888	61	1 928 498 161	208
1 928 403 633	195	1 928 404 073	35	1 928 404 550	30	1 928 404 888	67	1 928 498 161	219
1 928 403 634	195	1 928 404 074	35	1 928 404 555	202	1 928 404 888	73	1 928 498 162	204
1 928 403 635	195	1 928 404 075	36	1 928 404 563	151	1 928 404 888	81	1 928 498 162	208
1 928 403 636	196	1 928 404 077	143	1 928 404 564	152	1 928 404 889	32	1 928 498 162	219
1 928 403 637	196	1 928 404 078	144	1 928 404 566	152	1 928 404 889	38	1 928 498 167	208
1 928 403 643	196	1 928 404 079	144	1 928 404 570	79	1 928 404 889	46	1 928 498 167	219
1 928 403 644	197	1 928 404 080	144	1 928 404 571	79	1 928 404 889	61	1 928 498 616	89
1 928 403 645	197	1 928 404 081	145	1 928 404 572	80	1 928 404 889	67	1 928 H00 039	94

Bosch sales offices and representatives around the world

Belgium / Holland

Robert Bosch Benelux
Afdeling/Département RBBN/SOE
Rue H. Genessestraat 1
B - 1070 Brussel/Bruxelles
Tel.: +32 2 525 5271
Fax: +32 2 525 5262
E-mail: bosch.elektromotoren@be.bosch.com

Israel

Ledico Technologies Ltd.
Mr. Tasman Adi
31 Lazarov St.
P.O.B 6018 Rishon Le Zion
75654 ISRAEL
Tel.: +972 3 963 00 17
Fax: +972 3 963 00 66
E-mail: tasman@ledico.com

Spain / Portugal

Robert Bosch España SA
AA/SSD3-Md
Hnos García Noblejas 19
E - 28037 Madrid
Tel.: +34 91 410 40 79
Fax: +34 91 327 98 57
E-mail: Miriam.Franco@es.bosch.com

Denmark / Norway

Robert Bosch A/S
Eda Hojenski
AA/SDK
Telegrafvej 1
DK - 2750 Ballerup
Tel.: +45 4489 8321
Fax: +45 4489 8680
E-mail: Eda.Hojenski@dk.bosch.com

Italy

Robert Bosch S.p.A.
Claudio Vailati
AA/SIT
Via M.A. Colonna, 35
20149 Milano
Tel.: +39 02 36 96 - 2387
Fax: +39 02 36 96 - 2423
E-mail: Claudio.Vailati@it.bosch.com

Czech Republic

Robert Bosch odbytova s.r.o
Automotive Aftermarket (AA/SEM-SSD3)
Pod Visnovkou 1661/35
140 00 Prag 4
Tel.: +420 261300-504
Fax: +420 261300-524
E-mail: David.Komrska@cz.bosch.com

Germany

Robert Bosch GmbH
Abteilung AA/SSD3
Postfach 41 09 60
76225 Karlsruhe
Tel.: +49 (0) 721/942-2278
Fax: +49 (0) 721/942-2520
E-mail: contact.i.business@de.bosch.com

Japan

Bosch Corporation
Andreas Ziegeler
Department JA/MKT2
3-6-7, Shibuya,
Shibuya-ku,
Tokyo 150-8360
Tel.: +81 3 5485-5982
Fax: +81 3 5485-6386
E-mail: Andreas.Ziegeler@jp.bosch.com

Turkey

Bosch San. ve Tic. A.S
Department AA/STR
Ahi Evran Cad. No: 1 Kat: 22
Polaris Plaza - Maslak
Istanbul - TURKIYE
Tel.: +09 (0) 212/335-0655
Fax: +09 (0) 212/346-0053
E-mail: teknik.destek@tr.bosch.com

Finland

Robert Bosch Oy
Ensiasennustuotteet
Ansatie 6aC
FI-01740 Vantaa
Tel.: +358 9 435 991
Fax: +358 9 435 992 70
E-mail: info@fi.bosch.com

Republic of South Africa

Robert Bosch (Pty) Ltd
Uwe Winzler
Sales OE & Engineering (RBSA/SOE)
P.O. Box 348
BRITS
0250 North West Province
Tel.: +27 12 381 3445
Fax: +27 12 250 2646
E-mail: Uwe.Winzler@za.bosch.com

USA

Chief Enterprises, Inc.
Bob Socha
545 W, Lake St.
Elmhurst, IL 60126
Tel.: +01 630-530-1154
Fax: +01 630-530-1224
Internet: www.chiefent.com

France

Robert Bosch Frankreich S.A.S.
Patrick Landes
AA/SSD3-SO
32, Avenue Michelet
93404 Saint-Ouen Cedex
Tel.: +33 1 40 10 76 90
Fax: +33 1 40 10 73 08
E-mail: Patrick.Landes@fr.bosch.com

Sweden

Robert Bosch AB
Industriförsäljning
Box 1154
164 26 Kista
Tel.: +46 (0)8 750 1570
Fax: +46 (0)8 750 1560
E-mail: industri@se.bosch.com

Great Britain

Robert Bosch Ltd
Dept AA/SEU/motors and controls
PO Box 98
Uxbridge
UB9 5HN
Tel.: +44 (0) 1895 838371
Fax: +44 (0) 1895 838333
E-mail: info@boschmotorsandcontrols.co.uk

Switzerland

Robert Bosch AG
Automobiltechnik Industrie
Industriestrasse 31
8112 Otelfingen
Tel.: +41 (0)44 847 15 30
Fax: +41 (0)44 847 15 29
E-mail:
verkauf.erstausruestung.kfz@ch.bosch.com