



# PRODUCT CATALOGUE

2019

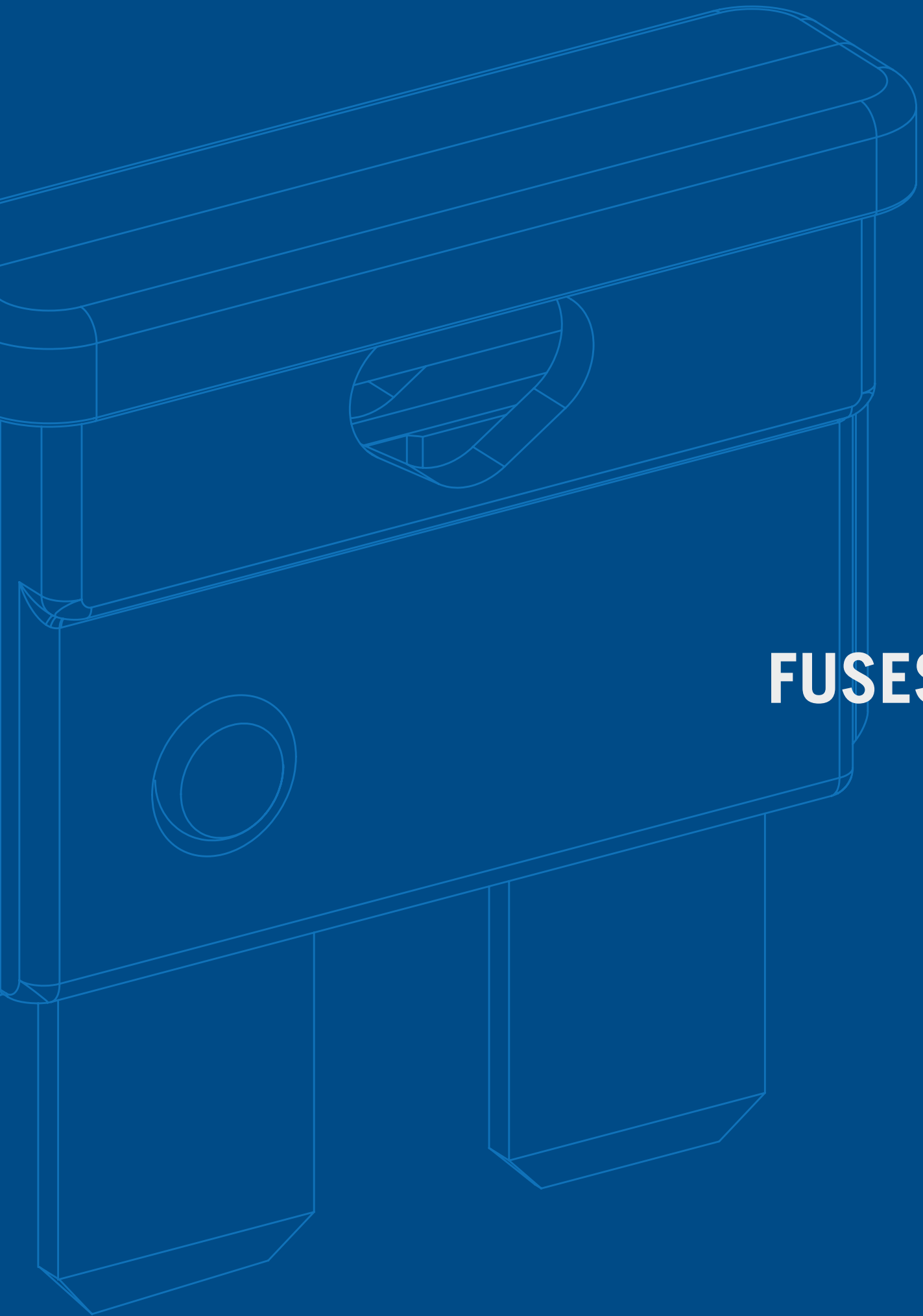




# INDEX

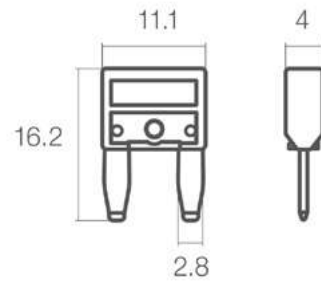
FUSES _____	3
POWER DISTRIBUTION UNITS _____	20
MAIN DISTRIBUTION UNITS _____	35
FUSE/RELAY HOLDERS _____	60
ADAPTERS & FIXING PLATES _____	84
CONNECTORS _____	89
BATTERY TERMINALS _____	119
TERMINALS _____	129
INSULATED TERMINALS _____	170
CAPS _____	182
RADIATOR/OIL/GASOLINE CAPS & SENSORS _____	187
CABLES _____	194
SUNDRIES _____	199
LIST OF ALL ITEMS _____	211





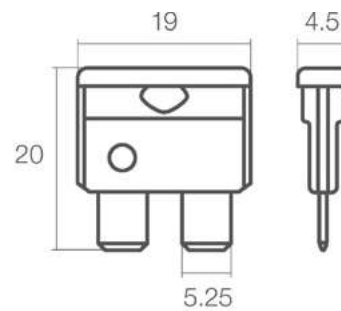
**FUSES**

# MINIVAL®



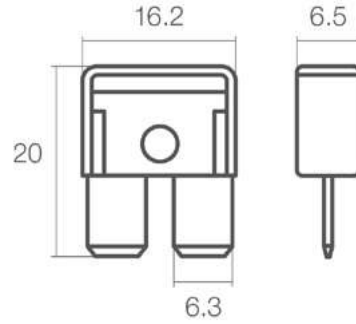
AMP	DESCRIPTION	COLOUR	BLADE MATERIAL AND COATING	P/N BLISTER	M.O.Q.	P/N BOX	M.O.Q.	P/N BULK	M.O.Q.
2A	MINIVAL	Grey	TIN PLATED ZINC ALLOY	0600090	500	0700090	200	0705090	5000
3A	MINIVAL	Violet	TIN PLATED ZINC ALLOY	0600100	500	0700100	200	0705100	5000
4A	MINIVAL	Pink	TIN PLATED ZINC ALLOY	0600101	500	0700101	200	0705101	5000
5A	MINIVAL	Beige	TIN PLATED ZINC ALLOY	0600110	500	0700110	200	0705110	5000
7,5A	MINIVAL	Brown	TIN PLATED ZINC ALLOY	0600120	500	0700120	200	0705120	5000
10A	MINIVAL	Red	TIN PLATED ZINC ALLOY	0600130	500	0700130	200	0705130	5000
15A	MINIVAL	Blue	TIN PLATED ZINC ALLOY	0600140	500	0700140	200	0705140	5000
20A	MINIVAL	Yellow	TIN PLATED ZINC ALLOY	0600150	500	0700150	200	0705150	5000
25A	MINIVAL	Natural	TIN PLATED ZINC ALLOY	0600160	500	0700160	200	0705160	5000
30A	MINIVAL	Green	TIN PLATED ZINC ALLOY	0600170	500	0700170	200	0705170	5000

# UNIVAL®



AMP	DESCRIPTION	COLOUR	BLADE MATERIAL AND COATING	P/N BOX	M.O.Q.	P/N BULK	M.O.Q.	P/N BULK	M.O.Q.
1A	UNIVAL	Black	TIN PLATED ZINC ALLOY	0600380	100	0700380	2000		
2A	UNIVAL	Grey	TIN PLATED ZINC ALLOY	0600390	100	0700390	2000		
3A	UNIVAL	Violet	TIN PLATED ZINC ALLOY	0600400	1000	0700300	2000	0710300	6000
4A	UNIVAL	Pink	TIN PLATED ZINC ALLOY	0600401	1000	0700301	2000		
5A	UNIVAL	Beige	TIN PLATED ZINC ALLOY	0600410	1000	0700310	2000	0710310	6000
7,5A	UNIVAL	Brown	TIN PLATED ZINC ALLOY	0600420	1000	0700320	2000	0710320	6000
10A	UNIVAL	Red	TIN PLATED ZINC ALLOY	0600430	1000	0700330	2000	0710330	6000
15A	UNIVAL	Blue	TIN PLATED ZINC ALLOY	0600440	1000	0700340	2000	0710340	6000
20A	UNIVAL	Yellow	TIN PLATED ZINC ALLOY	0600450	1000	0700350	2000	0710350	6000
25A	UNIVAL	Natural	TIN PLATED ZINC ALLOY	0600460	1000	0700360	2000	0710360	6000
30A	UNIVAL	Green	TIN PLATED ZINC ALLOY	0600470	1000	0700370	2000	0710370	6000
40A	UNIVAL	Orange	TIN PLATED ZINC ALLOY	0600375	1000	0700375	2000	0710375	6000

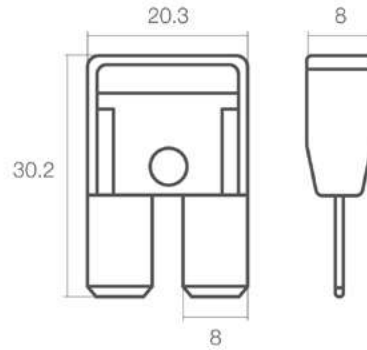
# MAXICOMPACT®



AMP	DESCRIPTION	COLOUR	BLADE MATERIAL AND COATING	P/N BOX	M.O.Q.	P/N BULK	M.O.Q.
20A	MAXICOMPACT	Yellow	TIN PLATED ZINC ALLOY	0602920	100	0702920	2000
25A	MAXICOMPACT	White	TIN PLATED ZINC ALLOY	0602925	100	0702925	2000
30A	MAXICOMPACT	Light Green	TIN PLATED ZINC ALLOY	0602930	100	0702930	2000
35A	MAXICOMPACT	Dark Green	TIN PLATED ZINC ALLOY	0602935	100	0702935	2000
40A	MAXICOMPACT	Orange	TIN PLATED ZINC ALLOY	0602940	100	0702940	2000
50A	MAXICOMPACT	Red	TIN PLATED ZINC ALLOY	0602950	100	0702950	2000
60A	MAXICOMPACT	Blue	TIN PLATED ZINC ALLOY	0602960	100	0702960	2000
<b>NEW</b>	25A	MAXICOMPACT CU	White			0702825	1900
<b>NEW</b>	30A	MAXICOMPACT CU	Light Green			0702830	1900
<b>NEW</b>	35A	MAXICOMPACT CU	Dark Green			0702835	1900
<b>NEW</b>	40A	MAXICOMPACT CU	Orange			0702840	1900
<b>NEW</b>	50A	MAXICOMPACT CU	Red			0702850	1900
<b>NEW</b>	60A	MAXICOMPACT CU	Blue			0702860	1900

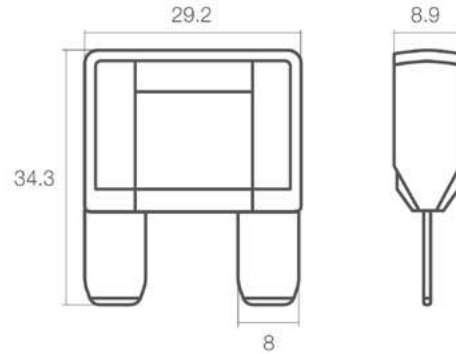


# M8COMPACT®



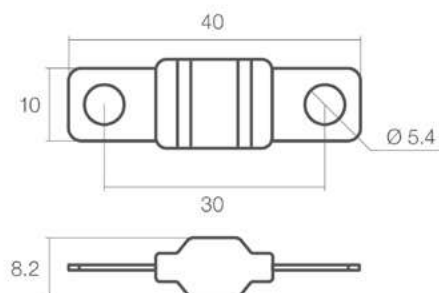
AMP	DESCRIPTION	COLOUR	BLADE MATERIAL AND COATING	P/N BOX	M.O.Q.	P/N BULK	M.O.Q.
30A	M8COMPACT	Light Green	TIN PLATED ZINC ALLOY	0610030	150	0710030	1000
35A	M8COMPACT	Dark Green	TIN PLATED ZINC ALLOY	0610035	150	0710035	1000
40A	M8COMPACT	Orange	TIN PLATED ZINC ALLOY	0610040	150	0710040	1000
50A	M8COMPACT	Red	TIN PLATED ZINC ALLOY	0610050	150	0710050	1000
60A	M8COMPACT	Blue	TIN PLATED ZINC ALLOY	0610060	150	0710060	1000
70A	M8COMPACT	Brown	TIN PLATED ZINC ALLOY	0610070	150	0710070	1000
80A	M8COMPACT	Black	TIN PLATED ZINC ALLOY	0610080	150	0710080	1000
<b>NEW</b> 30A	M8COMPACT CU	Light Green	SILVER PLATED COPPER			0710130	750
<b>NEW</b> 35A	M8COMPACT CU	Dark Green	SILVER PLATED COPPER			0710135	750
<b>NEW</b> 40A	M8COMPACT CU	Orange	SILVER PLATED COPPER			0710140	750
<b>NEW</b> 50A	M8COMPACT CU	Red	SILVER PLATED COPPER			0710150	750
<b>NEW</b> 60A	M8COMPACT CU	Blue	SILVER PLATED COPPER			0710160	750
<b>NEW</b> 70A	M8COMPACT CU	Brown	SILVER PLATED COPPER			0710170	750
<b>NEW</b> 80A	M8COMPACT CU	Black	SILVER PLATED COPPER			0710180	750
<b>NEW</b> 100A	M8COMPACT CU	Violet	SILVER PLATED COPPER			0710100	750

# MAXIVAL®



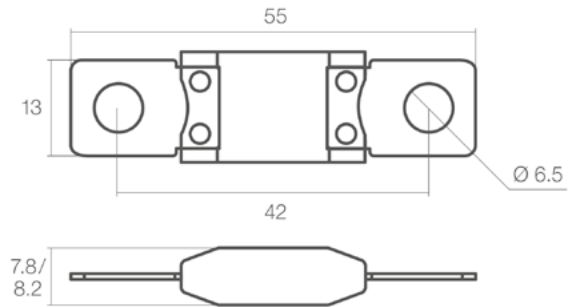
AMP	DESCRIPTION	COLOUR	BLADE MATERIAL AND COATING	P/N BOX	M.O.Q.	P/N BULK	M.O.Q.
20A	MAXIVAL	Yellow	TIN PLATED ZINC ALLOY	0600900	100	0700900	1000
30A	MAXIVAL	Green	TIN PLATED ZINC ALLOY	0600910	100	0700910	1000
40A	MAXIVAL	Orange	TIN PLATED ZINC ALLOY	0600920	100	0700920	1000
50A	MAXIVAL	Red	TIN PLATED ZINC ALLOY	0600930	100	0700930	1000
60A	MAXIVAL	Blue	TIN PLATED ZINC ALLOY	0600940	100	0700940	1000
70A	MAXIVAL	Beige	TIN PLATED ZINC ALLOY	0600950	100	0700950	1000
80A	MAXIVAL	Natural	TIN PLATED ZINC ALLOY	0600960	100	0700960	1000
100A	MAXIVAL	Violet	TIN PLATED ZINC ALLOY	0600970	100	0700970	1000

# MIDIVAL®



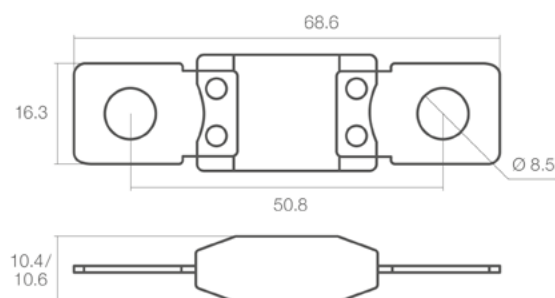
AMP	DESCRIPTION	COLOUR	BLADE MATERIAL AND COATING	P/N BLISTER	M.O.Q.	P/N BULK	M.O.Q.
30A	MIDIVAL	Orange	TIN PLATED ZINC ALLOY	0602030	20	0702030	1000
40A	MIDIVAL	Green	TIN PLATED ZINC ALLOY	0602040	20	0702040	1000
50A	MIDIVAL	Red	TIN PLATED ZINC ALLOY	0602050	20	0702050	1000
60A	MIDIVAL	Yellow	TIN PLATED ZINC ALLOY	0602060	20	0702060	1000
70A	MIDIVAL	Brown	TIN PLATED ZINC ALLOY	0602070	20	0702070	1000
80A	MIDIVAL	White	TIN PLATED ZINC ALLOY	0602080	20	0702080	1000
100A	MIDIVAL	Blue	TIN PLATED ZINC ALLOY	0602100	20	0702100	1000
125A	MIDIVAL	Pink	TIN PLATED ZINC ALLOY	0602125	20	0702125	1000
30A	MIDIVAL CU	Orange	TIN PLATED COPPER			0708030	1500
40A	MIDIVAL CU	Green	TIN PLATED COPPER			0708040	1500
50A	MIDIVAL CU	Red	TIN PLATED COPPER			0708050	1500
60A	MIDIVAL CU	Yellow	TIN PLATED COPPER			0708060	1500
70A	MIDIVAL CU	Brown	TIN PLATED COPPER			0708070	1500
80A	MIDIVAL CU	White	TIN PLATED COPPER			0708080	1500
100A	MIDIVAL CU	Blue	TIN PLATED COPPER			0708100	1500
125A	MIDIVAL CU	Pink	TIN PLATED COPPER			0708125	1500
150A	MIDIVAL CU	Grey	TIN PLATED COPPER			0708150	1500
175A	MIDIVAL CU	Light Brown	TIN PLATED COPPER			0708175	1500
200A	MIDIVAL CU	Violet	TIN PLATED COPPER			0708200	1500

# MEGACOMPACT®



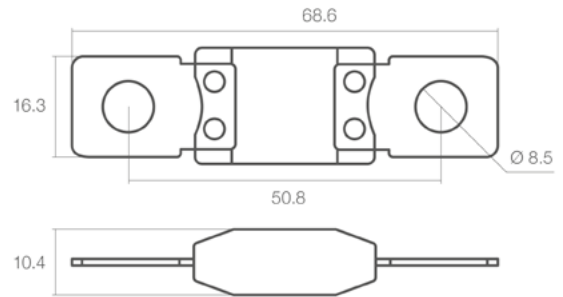
AMP	DESCRIPTION	COLOUR	BLADE MATERIAL AND COATING	P/N BOX	M.O.Q.	P/N BULK	M.O.Q.
80A	MEGACOMPACT	Red	TIN PLATED COPPER	0615080	20	0715080	700
100A	MEGACOMPACT	Yellow	TIN PLATED COPPER	0615100	20	0715100	700
125A	MEGACOMPACT	Green	TIN PLATED COPPER	0615125	20	0715125	700
150A	MEGACOMPACT	Orange	TIN PLATED COPPER	0615150	20	0715150	700
175A	MEGACOMPACT	White	TIN PLATED COPPER	0615175	20	0715175	700
200A	MEGACOMPACT	Blue	TIN PLATED COPPER	0615200	20	0715200	700
225A	MEGACOMPACT	Beige	TIN PLATED COPPER	0615225	20	0715225	700
250A	MEGACOMPACT	Pink	TIN PLATED COPPER	0615250	20	0715250	700
<b>NEW</b> <b>NEW</b> 300A	MEGACOMPACT	Grey	TIN PLATED COPPER	0615500	20	0715500	700
CAL5	MEGACOMPACT	Black	TIN PLATED COPPER	0615300	20	0715300	700

# MEGAVAL®



AMP	DESCRIPTION	COLOUR	BLADE MATERIAL AND COATING	P/N BLISTER	M.O.Q.	P/N BULK	M.O.Q.
100A	MEGAVAL	Yellow	TIN PLATED ZIC ALLOY	0601100	20	0701100	700
125A	MEGAVAL	Green	TIN PLATED ZIC ALLOY	0601125	20	0701125	700
150A	MEGAVAL	Orange	TIN PLATED ZIC ALLOY	0601150	20	0701150	700
175A	MEGAVAL	White	TIN PLATED ZIC ALLOY	0601175	20	0701175	700
200A	MEGAVAL	Blue	TIN PLATED ZIC ALLOY	0601200	20	0701200	700
225A	MEGAVAL	Beige	TIN PLATED ZIC ALLOY	0601225	20	0701225	700
250A	MEGAVAL	Pink	TIN PLATED ZIC ALLOY	0601250	20	0701250	700
100A	MEGAVAL CU	Yellow	TIN PLATED COPPER			0711100	400
125A	MEGAVAL CU	Green	TIN PLATED COPPER			0711125	400
150A	MEGAVAL CU	Orange	TIN PLATED COPPER			0711150	400
175A	MEGAVAL CU	White	TIN PLATED COPPER			0711175	400
200A	MEGAVAL CU	Blue	TIN PLATED COPPER			0711200	400
225A	MEGAVAL CU	Light Brown	TIN PLATED COPPER			0711225	400
250A	MEGAVAL CU	Pink	TIN PLATED COPPER			0711250	400
300A	MEGAVAL CU	Grey	TIN PLATED COPPER	0601300	20	0701300	700
400A	MEGAVAL CU	Violet	TIN PLATED COPPER	0601401	20	0701401	700
500A	MEGAVAL CU	Brown	TIN PLATED COPPER	0601600	20	0701600	700

# POWerval®



AMP	DESCRIPTION	COLOUR	BLADE MATERIAL AND COATING	P/N BLISTER	M.O.Q.	P/N BULK	M.O.Q.
CAL.1	POWerval	Grey	TIN PLATED ZIC ALLOY	0601350	20	0701350	700
CAL.2	POWerval	Black	TIN PLATED ZIC ALLOY	0601400	20	0701400	700
CAL.3	POWerval	Red	TIN PLATED COPPER	0601450	20	0701450	700
CAL.4	POWerval	Brown	TIN PLATED COPPER	0601500	20	0701500	700
CAL.5	POWerval	Wheat Grey	TIN PLATED COPPER	0601700	1	0701700	700

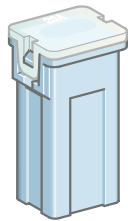
# JAPVAL®



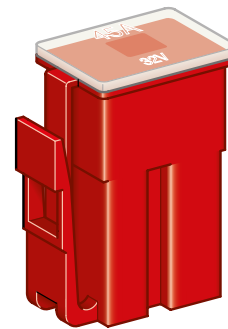
1



2



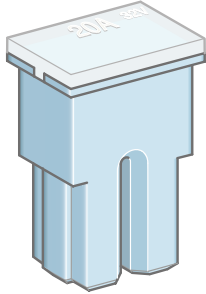
3



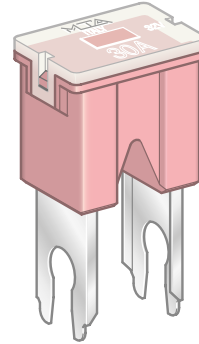
4

IMG	AMP	DESCRIPTION	COLOUR		P/N BLISTER	M.O.Q.
1	15A	MICRO FEMALE 10	Grey		0404015	20
	20A	MICRO FEMALE 10	Azure		0404020	20
	25A	MICRO FEMALE 10	White		0404025	20
	30A	MICRO FEMALE 10	Pink		0404030	20
	40A	MICRO FEMALE 10	Green		0404040	20
2	20A	MICRO FEMALE 14	Azure		0424020	20
	25A	MICRO FEMALE 14	White		0424025	20
	30A	MICRO FEMALE 14	Pink		0424030	20
	40A	MICRO FEMALE 14	Green		0424040	20
	50A	MICRO FEMALE 14	Red		0424050	20
	60A	MICRO FEMALE 14	Yellow		0424060	20
3	20A	MINI FEMALE 14	Azure		0474020	20
	30A	MINI FEMALE 14	Pink		0474030	20
	40A	MINI FEMALE 14	Green		0474040	20
	50A	MINI FEMALE 14	Red		0474050	20
	60A	MINI FEMALE 14	Yellow		0474060	20
	70A	MINI FEMALE 14	Brown		0474070	20
4	80A	MINI FEMALE 14	Black		0474080	20
	45A	CLIP	Red		0477045	20
	65A	CLIP	Black		0477065	20
	75A	CLIP	Grey		0477075	20

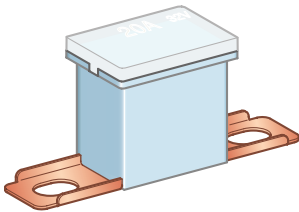
# JAPVAL®



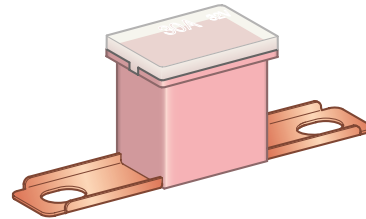
1



2



3

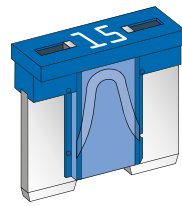


4

IMG	AMP	DESCRIPTION	COLOUR		P/N BLISTER	M.O.Q.	
1	20A	FEMALE	Azure		0470020	20	
	30A	FEMALE	Pink		0470030	20	
	40A	FEMALE	Green		0470040	20	
	50A	FEMALE	Red		0470050	20	
	60A	FEMALE	Yellow		0470060	20	
	80A	FEMALE	Black		0470080	20	
	100A	FEMALE	Blue		0470100	20	
2	30A	MALE	Pink		0471030	20	
	40A	MALE	Green		0471040	20	
	50A	MALE	Red		0471050	20	
	60A	MALE	Yellow		0471060	20	
	80A	MALE	Black		0471080	20	
	100A	MALE	Blue		0471100	20	
	3	20A	MALE 48	Azure		0475020	20
30A		MALE 48	Pink		0475030	20	
40A		MALE 48	Green		0475040	20	
50A		MALE 48	Red		0475050	20	
60A		MALE 48	Yellow		0475060	20	
70A		MALE 48	Brown		0475070	20	
80A		MALE 48	Black		0475080	20	
100A		MALE 48	Blue		0475100	20	
4		30A	MALE 62	Pink		0472030	20
		40A	MALE 62	Green		0472040	20
	50A	MALE 62	Red		0472050	20	
	60A	MALE 62	Yellow		0472060	20	
	80A	MALE 62	Black		0472080	20	
	100A	MALE 62	Blue		0472100	20	

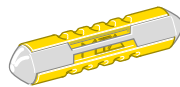


# MINI LOW PROFILE



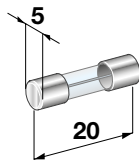
AMP	DESCRIPTION	COLOUR		P/N BLISTER	M.O.Q.
2A	MINI LOW PROFILE	Grey		0600210	200
3A	MINI LOW PROFILE	Violet		0600220	200
4A	MINI LOW PROFILE	Pink		0600230	200
5A	MINI LOW PROFILE	Beige		0600240	200
7,5A	MINI LOW PROFILE	Brown		0600250	200
10A	MINI LOW PROFILE	Red		0600260	200
15A	MINI LOW PROFILE	Blue		0600270	200
20A	MINI LOW PROFILE	Yellow		0600280	200
25A	MINI LOW PROFILE	Natural		0600290	200
30A	MINI LOW PROFILE	Green		0600302	200

# CONTINENTAL

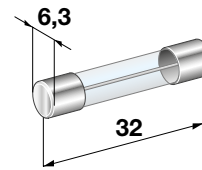


AMP	DESCRIPTION	COLOUR		P/N BOX	M.O.Q.
5A	FIAT 9.91806	Yellow		0200140	100
8A	FIAT 9.91806	Black		0200150	100
16A	FIAT 9.91806	Green		0200170	100
25A	FIAT 9.91806	Brown		0200180	100
5A	DIN 72581	Yellow		0200140	100
8A	DIN 72581	White		0200151	100
16A	DIN 72581	Red		0200171	100
25A	DIN 72581	Blue		0200181	100

# GLASS



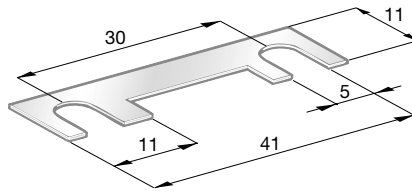
1



2

IMG	AMP	DESCRIPTION	P/N BOX	M.O.Q.
1	500MA	GLASS FUSE 5X20	0430300	50
	1A	GLASS FUSE 5X20	0430400	50
	2A	GLASS FUSE 5X20	0430500	50
	3A	GLASS FUSE 5X20	0430600	50
	4A	GLASS FUSE 5X20	0430700	50
	5A	GLASS FUSE 5X20	0430800	50
	6A	GLASS FUSE 5X20	0430900	50
	8A	GLASS FUSE 5X20	0431000	50
	10A	GLASS FUSE 5X20	0431100	50
	15A	GLASS FUSE 5X20	0431300	50
	20A	GLASS FUSE 5X20	0431400	50
2	2A	GLASS FUSE 6,3X32	0433200	50
	3A	GLASS FUSE 6,3X32	0433300	50
	5A	GLASS FUSE 6,3X32	0433400	50
	7,5A	GLASS FUSE 6,3X32	0433450	50
	10A	GLASS FUSE 6,3X32	0433500	50
	15A	GLASS FUSE 6,3X32	0433600	50
	20A	GLASS FUSE 6,3X32	0433700	50
	25A	GLASS FUSE 6,3X32	0433800	50
	30A	GLASS FUSE 6,3X32	0433850	50
	35A	GLASS FUSE 6,3X32	0433900	50

# STRIP



AMP	DESCRIPTION	P/N BOX	M.O.Q.
30A	STRIP FUSE	0200296	100
40A	STRIP FUSE	0200300	100
50A	STRIP FUSE	0200297	100
60A	STRIP FUSE	0200301	100
80A	STRIP FUSE	0200298	100
100A	STRIP FUSE	0200299	100

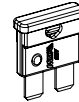
# ASSORTMENT



80 MINIVAL



80 UNIVAL



160 UNIVAL



1



2



3

IMG	DESCRIPTION	P/N BOX	M.O.Q.
1	ASSORTMENT BOX 80 MINIVAL FUSES 2A (10 PCS), 3A (3 PCS), 4A (10 PCS), 5A (3 PCS), 7,5A (10 PCS), 10A (10 PCS), 15A (10 PCS), 20A (10 PCS), 25A (4 PCS), 30A (10 PCS)	0600010	1
2	ASSORTMENT BOX 80 UNIVAL FUSES 4A (10 PCS), 5A (10 PCS), 7,5A (10 PCS), 10A (10 PCS), 15A (10 PCS), 20A (10 PCS), 25A (10 PCS), 30A (10 PCS)	0650015	1
3	ASSORTMENT BOX 160 UNIVAL FUSES 4A (20 PCS), 5A (20 PCS), 7,5A (20 PCS), 10A (20 PCS), 15A (20 PCS), 20A (20 PCS), 25A (20 PCS), 30A (20 PCS)	0650016	1

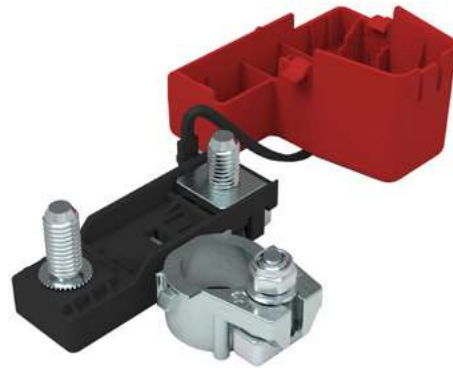
An isometric line drawing of a power distribution unit (PDU) on a dark blue background. The drawing shows the top and side views of the device. It features a main chassis with a front panel containing several vertical slots for modules. A top cover is shown partially open, revealing internal components like a fan and various connectors. The drawing is composed of white lines on a blue background.

# POWER DISTRIBUTION UNITS

# BDU

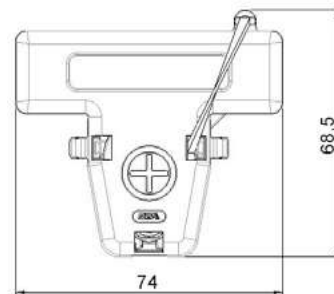
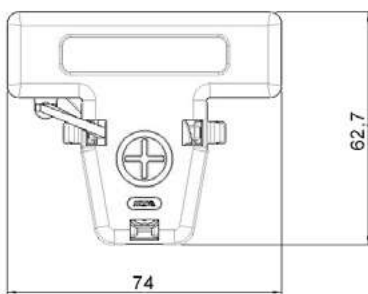
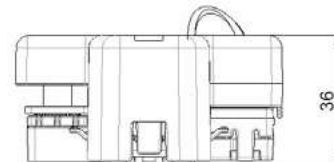
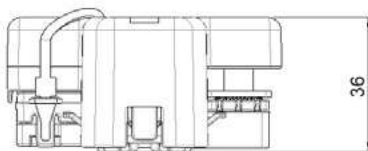


1

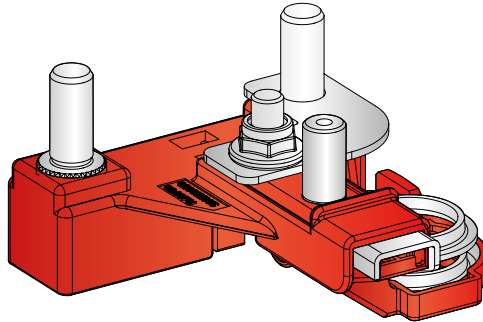


2

IMG	DESCRIPTION	P/N BOX	M.O.Q.
<b>NEW</b> 1	PRE-MOUNTED HOUSING FOR 1 POWER/MEGAVAL WITH DIE CASTED BATTERY TERMINAL RIGHT	0301229	36
<b>NEW</b> 2	PRE-MOUNTED HOUSING FOR 1 POWER/MEGAVAL WITH DIE CASTED BATTERY TERMINAL LEFT	0301230	36

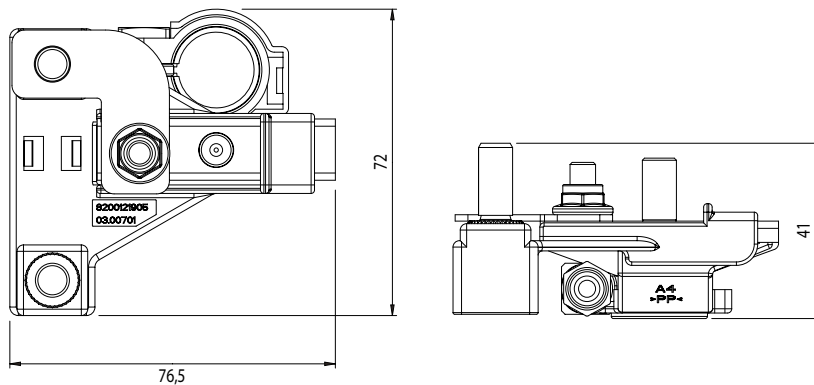


# CBA X73



1

IMG	DESCRIPTION	P/N	M.O.Q.
1	PRE-MOUNTED HOUSING FOR 1 POWER/MEGAVAL WITH BATTERY TERMINAL	0100703	1



**CONNECTIONS AND FIXINGS**



1608180  
1608190



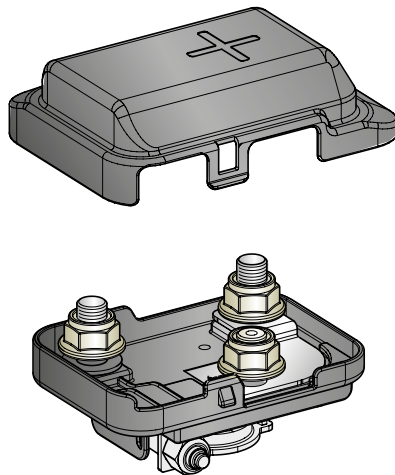
1708110  
1708120



1608196

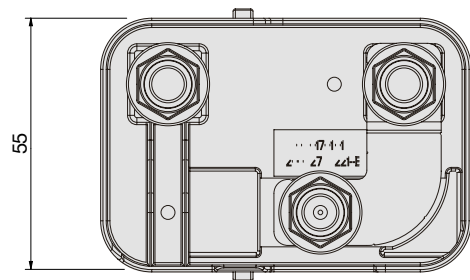
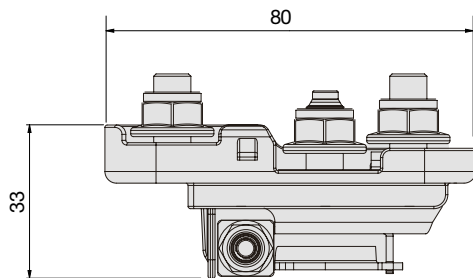


# CBA J81 L4



1

IMG	DESCRIPTION	P/N	M.O.Q.
1	PRE-MOUNTED HOUSING FOR 1 MEGA/POWERVAL WITH COVER AND BATTERY TERMINAL	0101703	1

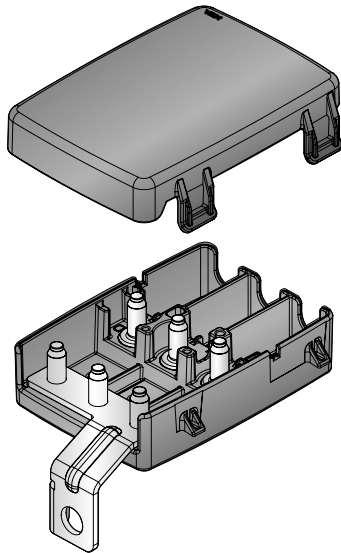


**CONNECTIONS AND FIXINGS**

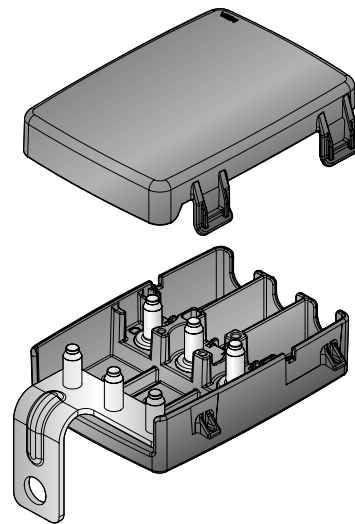


CBA J81 L4

# 3 - WAY MIDIVAL®

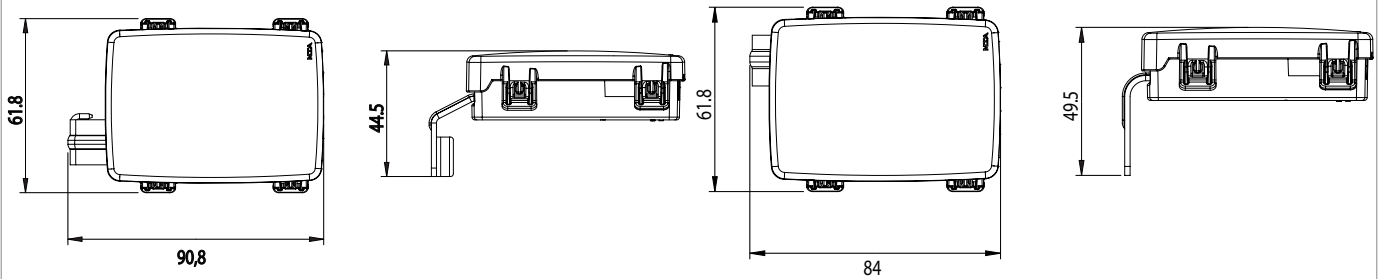


1

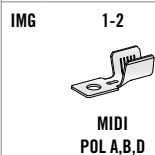


2

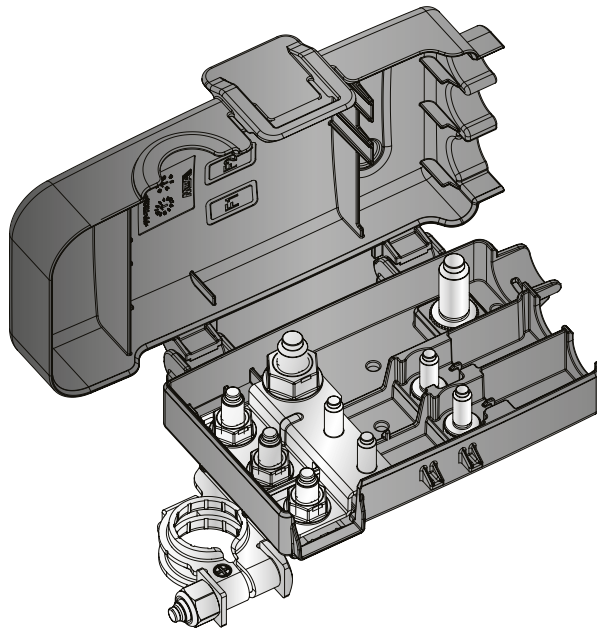
IMG	DESCRIPTION	P/N	M.O.Q.
1	PRE-MOUNTED HOUSING DX FOR 3 MIDIVAL WITH COVER AND BUS BAR	0300442	1
2	PRE-MOUNTED HOUSING SX FOR 3 MIDIVAL WITH COVER AND BUS BAR	0300468	1



**CONNECTIONS AND FIXINGS**

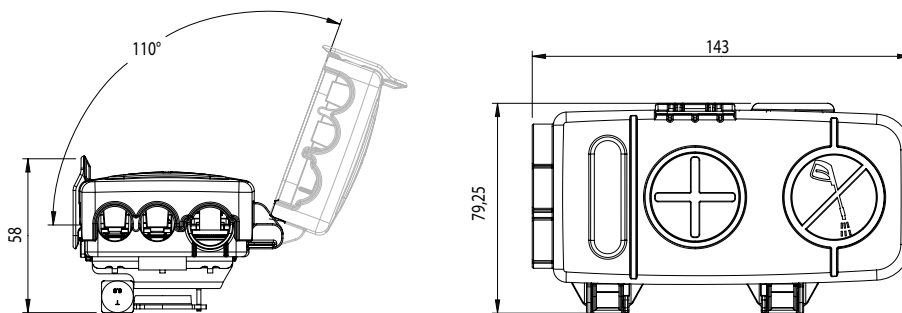


# CDB



1

IMG	DESCRIPTION	P/N	M.O.Q.
1	PRE-MOUNTED HOUSING FOR 2 MIDIVAL AND 1 CAL/MEGAVAL WITH BATTERY TERMINAL	0300839	20



### CONNECTIONS AND FIXINGS

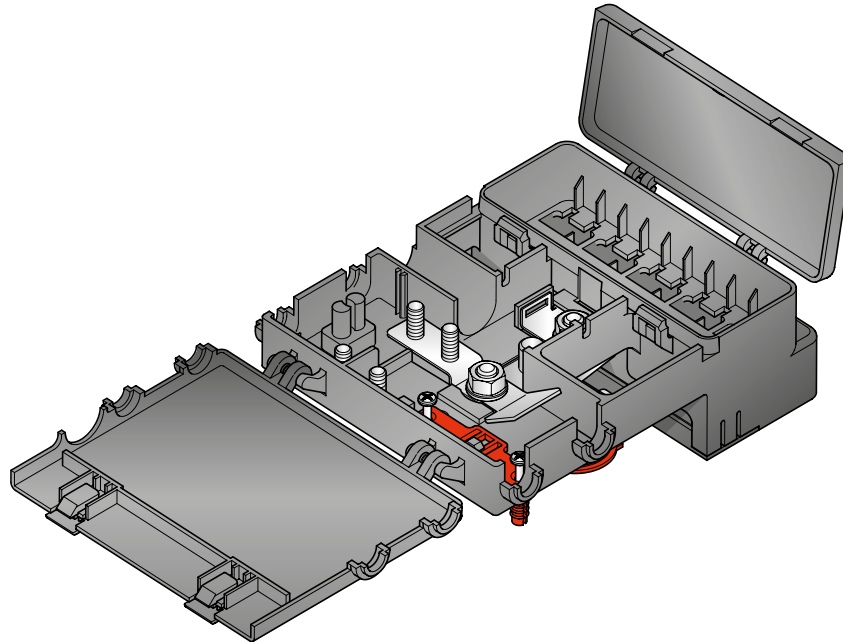


MIDI  
POL A,B



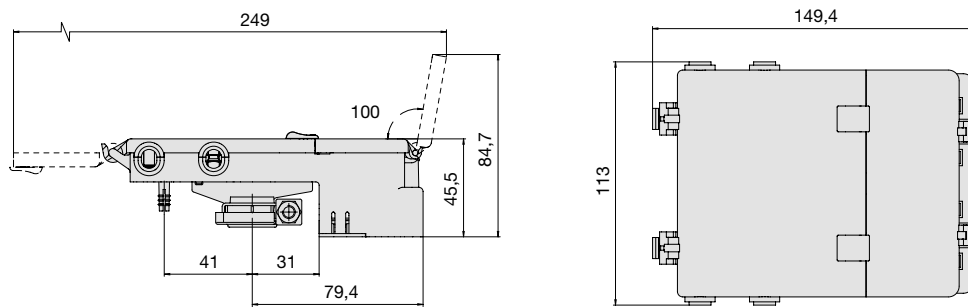
MEGA

# LINK BATT

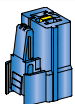


1

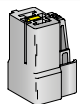
IMG	DESCRIPTION	P/N	M.O.Q.
1	PRE-MOUNTED HOUSING FOR 8 MAXIVAL AND 2 MIDIVAL	0100710	1



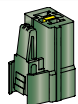
**CONNECTIONS AND FIXINGS**



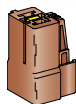
4540315



4540345



4540325



4540335



4545100

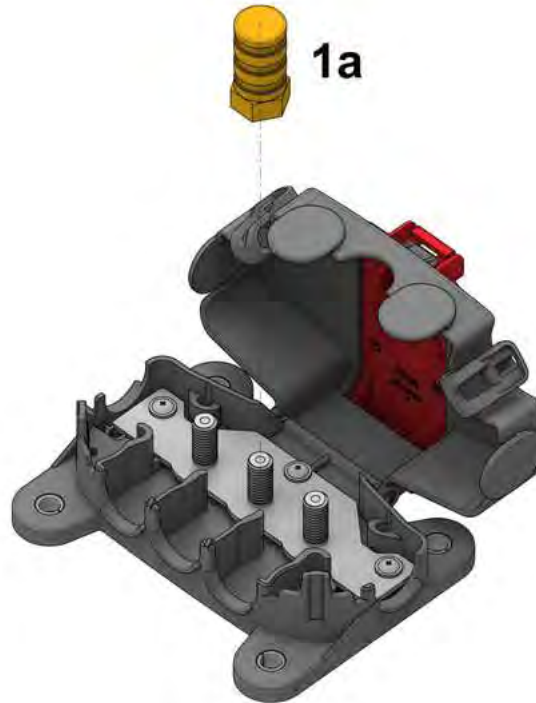


MIDI



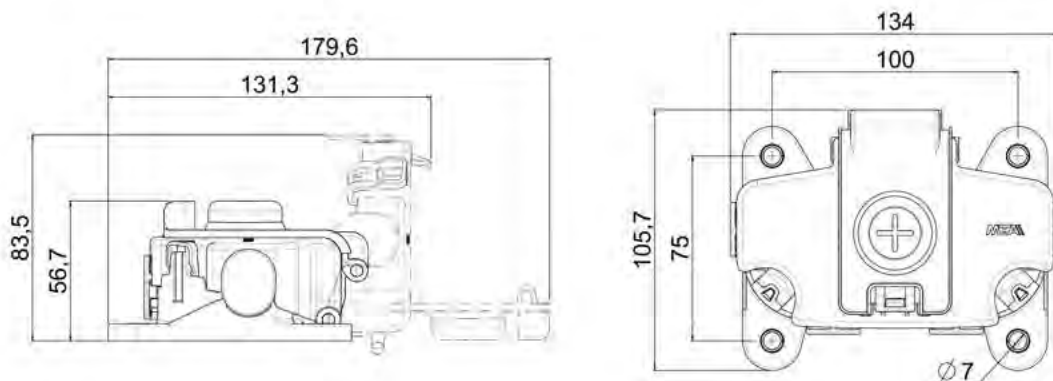
SQR-A

# JUMP START



1

IMG	DESCRIPTION	P/N BULK	M.O.Q.
1	JUMP START NODE	4541203	60
1a	JUMP START PLUG FOR POWER DISTRIBUTION	4541204	200

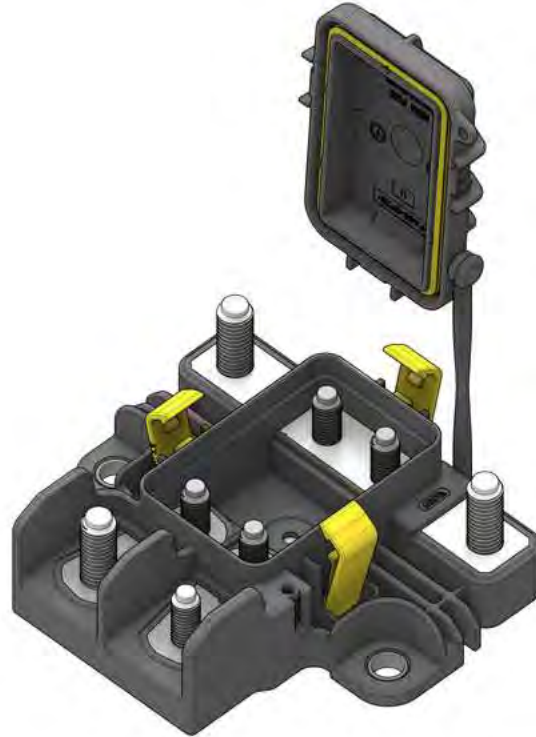


**CONNECTIONS AND FIXINGS**



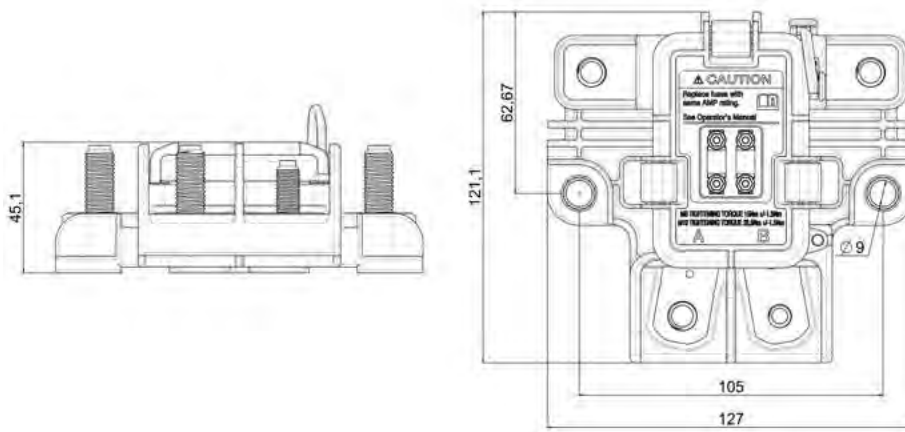
TUBOLAR M8

# PDU 2M



1

IMG	DESCRIPTION	P/N	M.O.Q.
1	PRE-MOUNTED HOUSING FOR 2 MEGAVAL WITH COVER	0301887	1

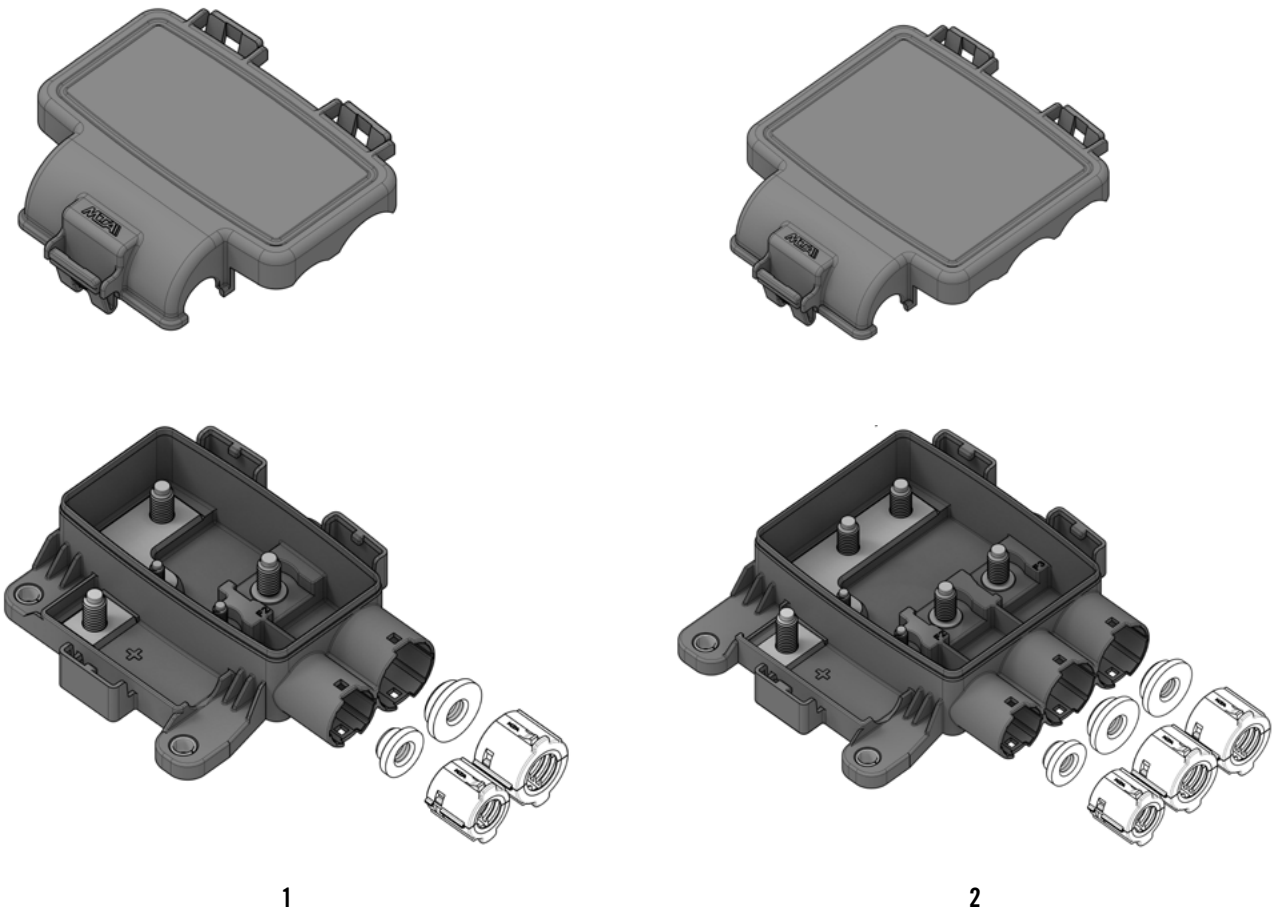


**CONNECTIONS AND FIXINGS**

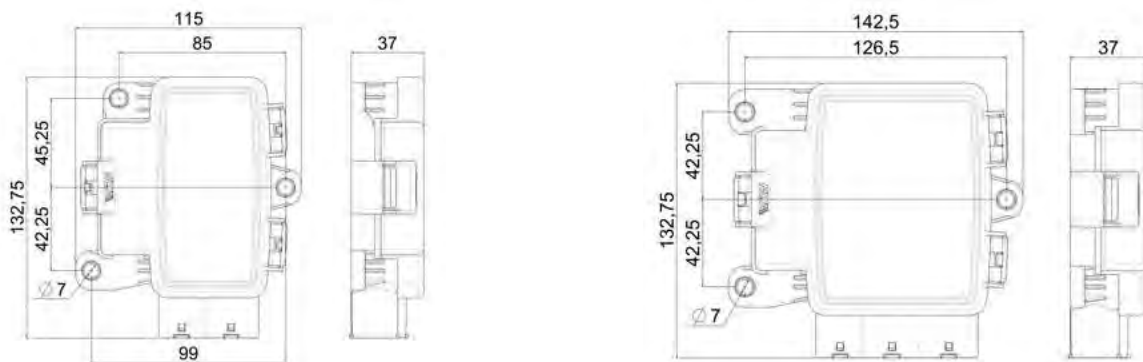


TUBULAR

## 2, 3 - WAY WATER PROOF PDU



IMG	DESCRIPTION	P/N BOX	M.O.Q.
1	PRE-MOUNTED HOUSING FOR 1 MIDIVAL AND 1 MEGAVAL WITH COVER	0301053	20
2	PRE-MOUNTED HOUSING FOR 1 MIDIVAL AND 2 MEGAVAL WITH COVER	0301045	20



**CONNECTIONS AND FIXINGS**

IMG	1+2	1+2	1+2	2	1+2	1+2	1+2
TUBULAR	MIDI M5 POLA	MEGA M8 POL A	MEGA M8 POL B	1607510	GASKET	TUBE RETAINER	

# RETAINER & GASKETS



1

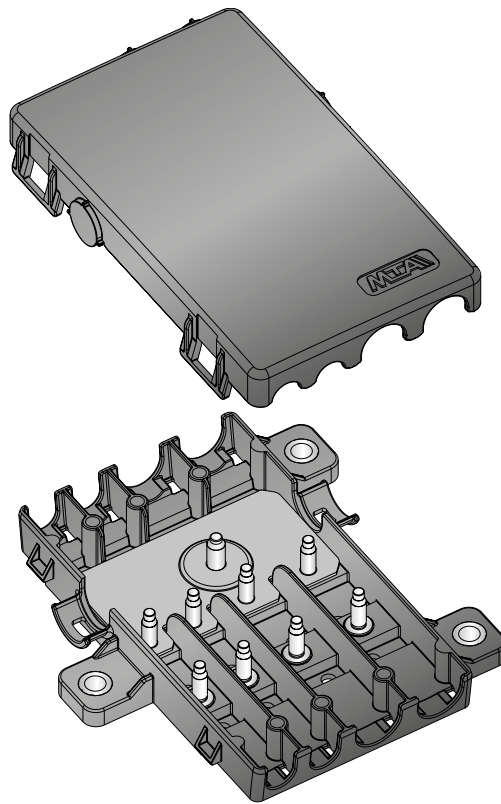


2

IMG	DESCRIPTION	MATERIAL	COLOUR	D	d	P/N BULK	M.O.Q.
1	TUBE RETAINER	PBT	■ Black	19,6	6	0300454	200
	TUBE RETAINER	PBT	■ Black	19,6	8	0300452	200
	TUBE RETAINER	PBT	■ Black	19,6	11,4	0300465	200
	TUBE RETAINER	PBT	■ Black	24,6	12,8	0300455	200
	TUBE RETAINER	PBT	■ Black	24,6	14,3	0300464	200
	TUBE RETAINER	PBT	■ Black	24,6	15,2	0300557	200
	TUBE RETAINER	PBT	■ Black	24,6	18,2	0301199	200
NEW 2	GASKET	SILICON	■ Green	18	2	0300456	200
	GASKET	SILICON	■ Blue	18	3,7	0300457	200
	GASKET	SILICON	■ Yellow	18	6	0300463	200
	GASKET	SILICON	■ Red	18	8	0300458	200
	CAVITY PLUG	SILICON	□ Natural	18	-	0350459	200
	GASKET	SILICON	■ Yellow	23	8	0300460	200
	GASKET	SILICON	■ Green	23	10	0350558	200
	NEW CAVITY PLUG	SILICON	□ Natural	23	-	0301204	200

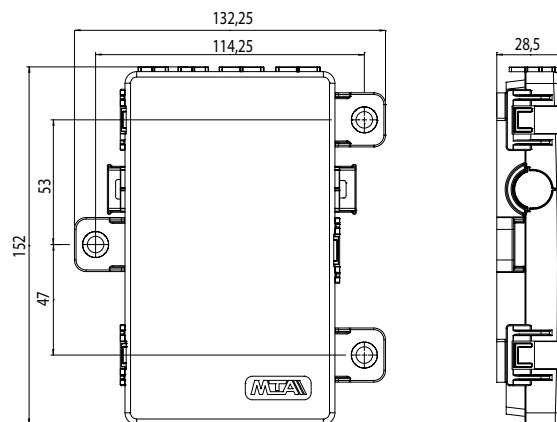


# 4 - WAY MIDIVAL®



1

IMG	DESCRIPTION	P/N BOX	M.O.Q.
1	PRE-MOUNTED HOUSING FOR 4 MIDIVAL WITH COVER, BUS BAR AND SELF LOCKING NUTS	0300552	1



**CONNECTIONS AND FIXINGS**

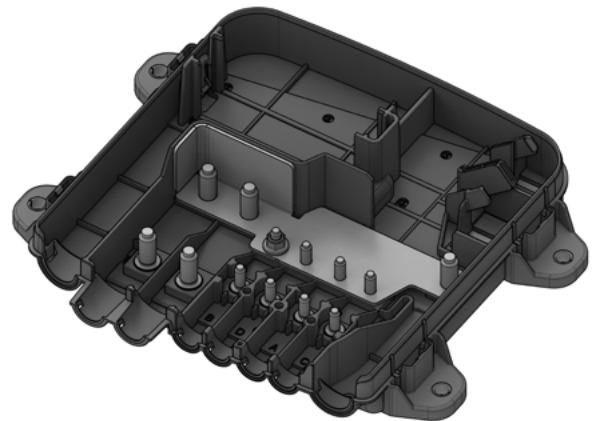
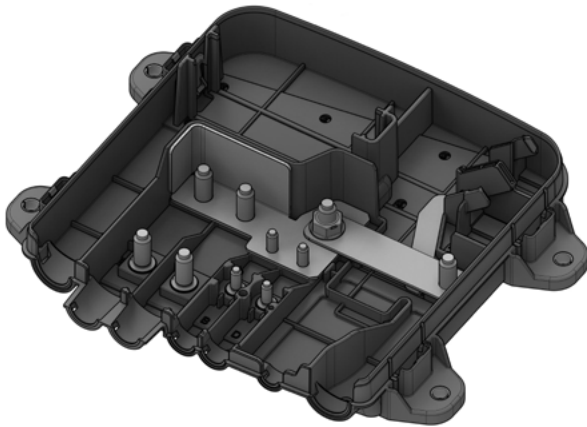
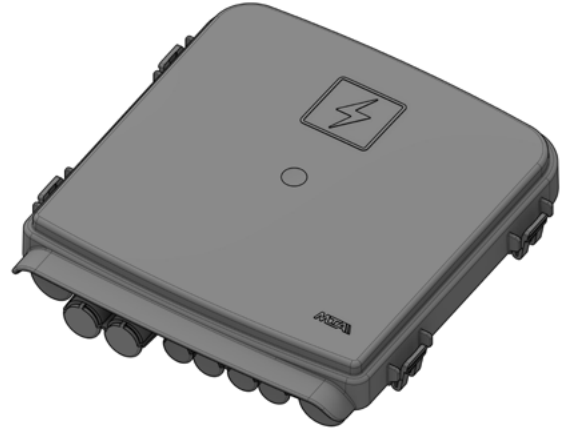
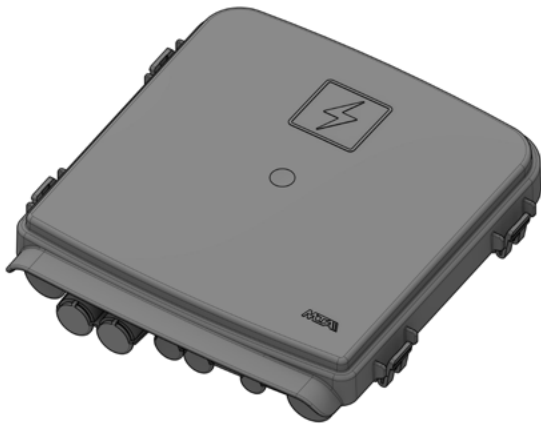


1708250



1708246

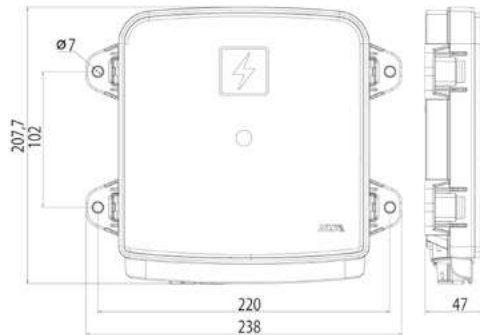
# SPLASH PROOF CONFIGURABLE PDU



1

2

IMG	DESCRIPTION	P/N	M.O.Q.
1	PRE-MOUNTED HOUSING FOR 2 MEGA/POWERVAL + 2 MIDIVAL W/ COVER AND BUS BAR. CAN ACCOMODATE ELECTRONIC BDS	0301865	1
2	PRE-MOUNTED HOUSING FOR 4 MIDIVAL + 2 MEGAVAL + 5 MINIVAL WITH COVER AND BUS BAR	0301873	1



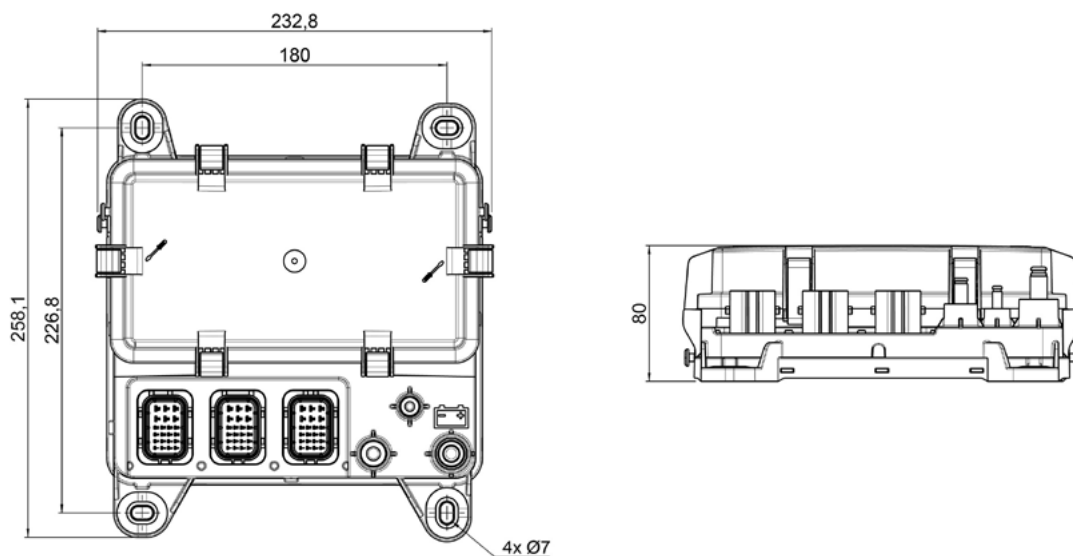
### CONNECTIONS AND FIXINGS

IMG	1+2	2	1+2	1+2	1+2	1+2
	MIDI POL A,B	MIDI POL A,B,C,D	TUBOLAR M8	MUDULES	SML	F280

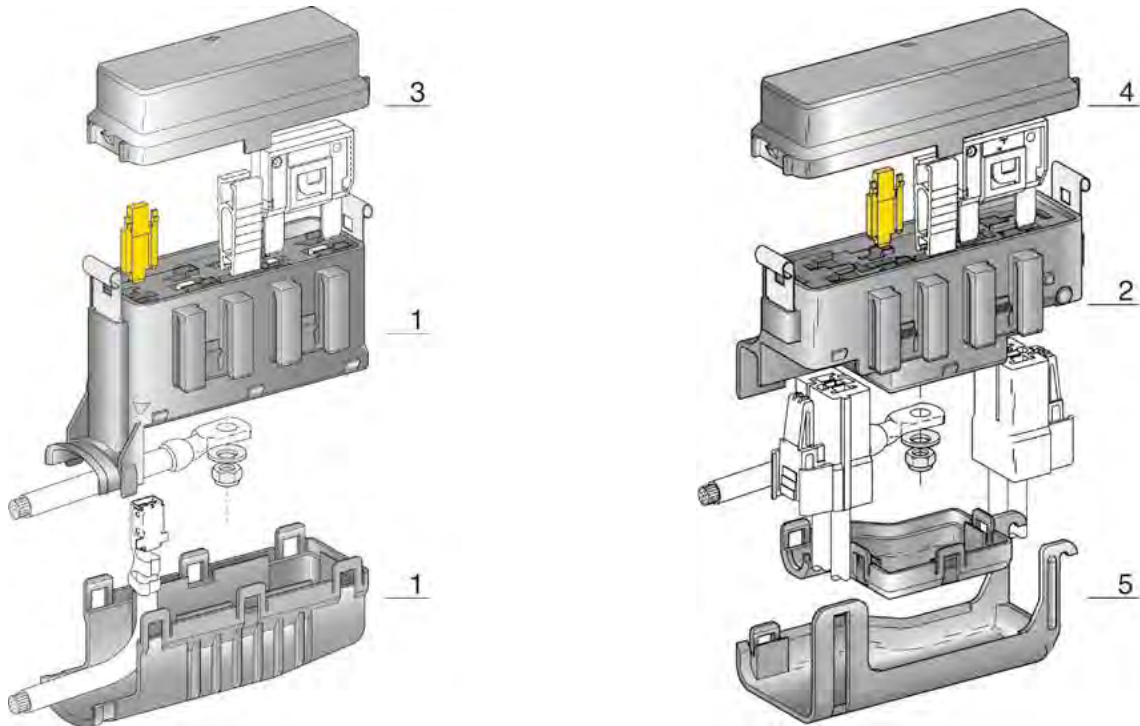
# MEC 97



IMG	DESCRIPTION	P/N	M.O.Q.
NEW	1 CONFIGURABLE POWER DISTRIBUTION UNIT WITH PRESS FIT TECHNOLOGY	0301163	1



# LINK BOX

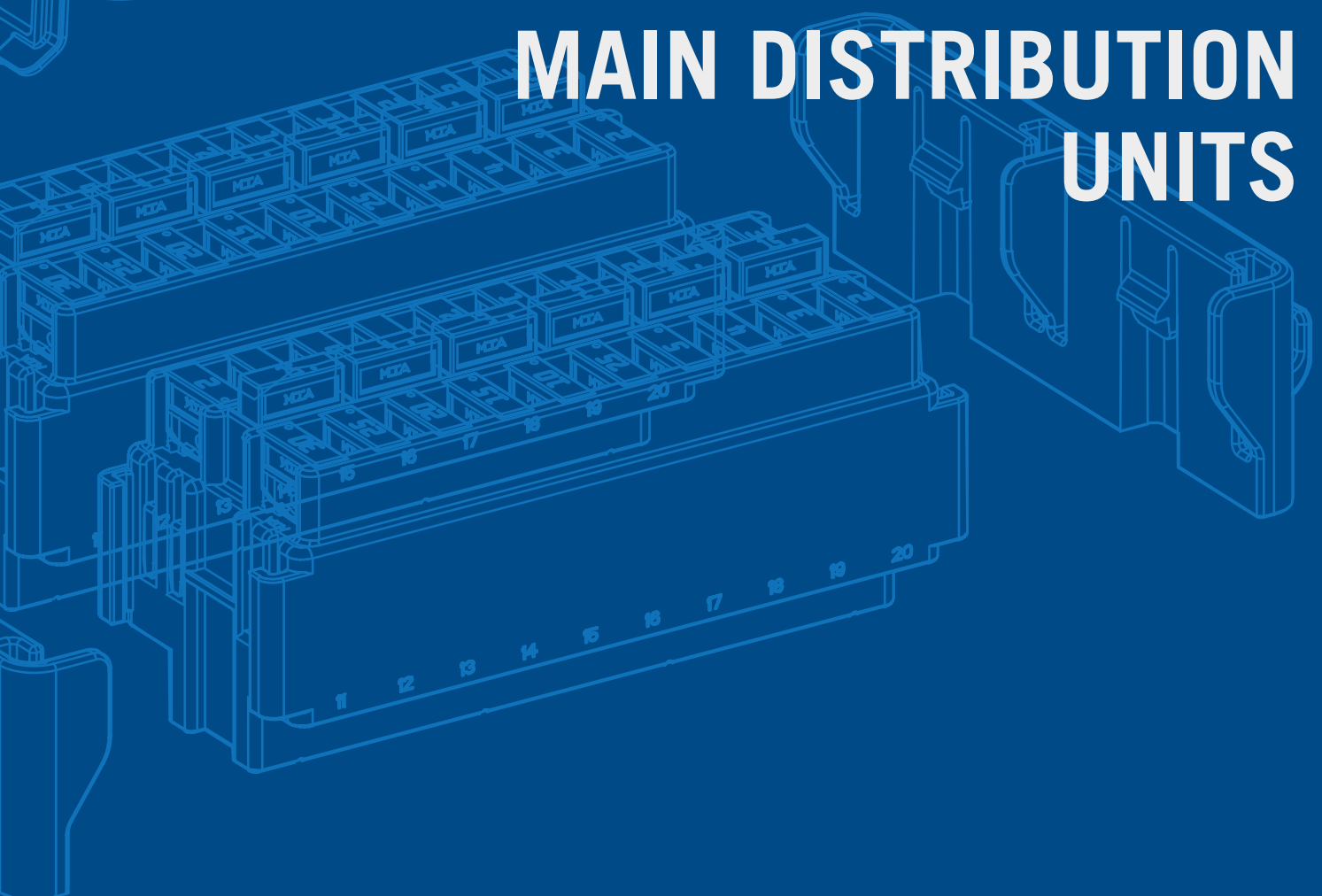


IMG	DESCRIPTION	WAY	MATERIAL	COLOUR	P/N KIT WITH COVER AND TERMINALS	M.O.Q.	P/N BULK	M.O.Q.
1	HOUSING + BOTTOM COVER + S.LOCK + NUT	4	PA66 GF25 PA66	■ Black	0100500	5	0300500	200
2	HOUSING + BOTTOM COVER + S.LOCK + NUT	4	PA66 GF25 PA66	■ Black	0100800	5	0300800	150
3	COVER WITH GASKET		PA66 GF25	■ Black			0300950	200
4	UPPER COVER WITH GASKET		PA66 GF25	■ Black			0300850	150
5	WIRE'S COVER		PA66	■ Black			0300849	400



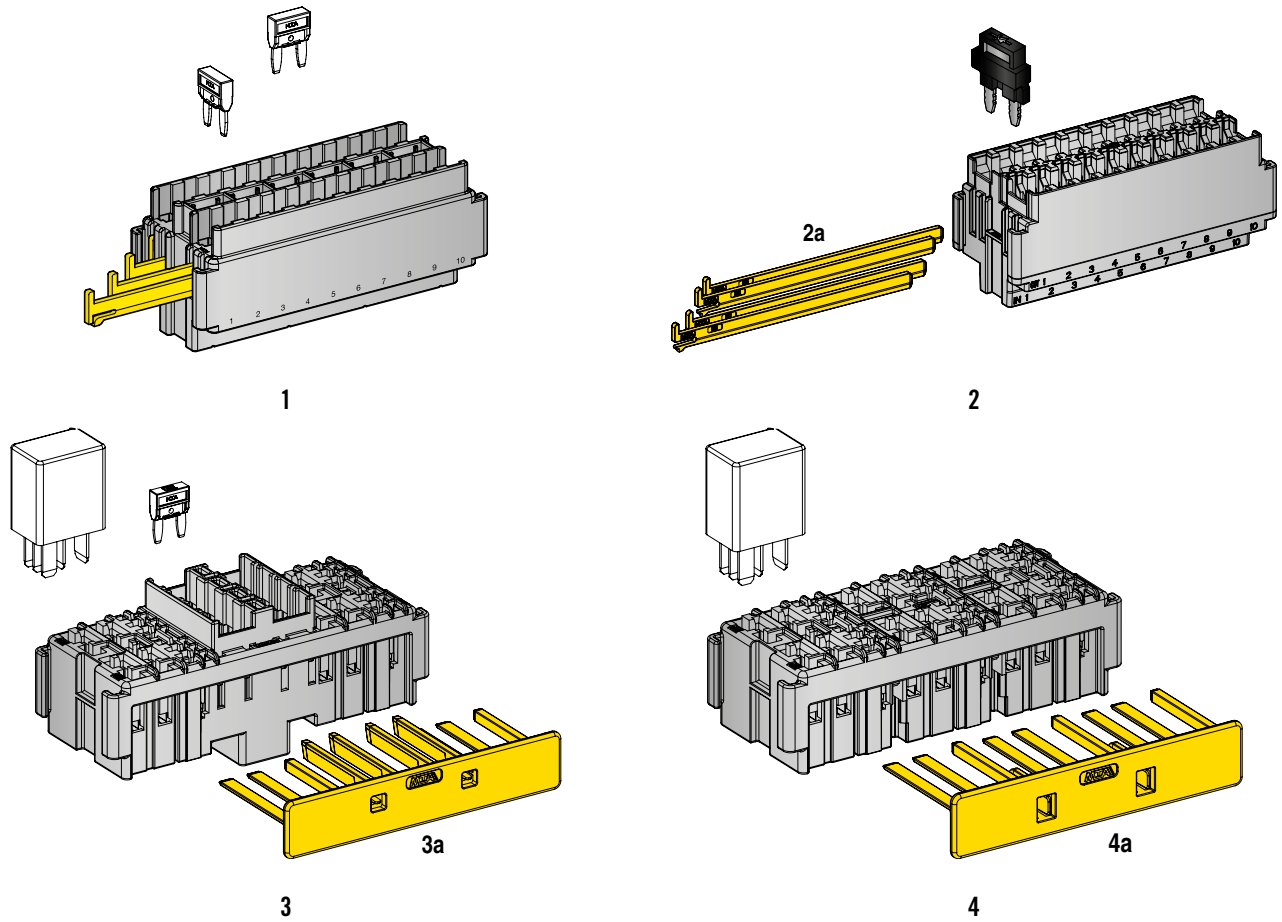
## CONNECTIONS AND FIXINGS

IMG	1+2	1	1+2	1+2	1+2	2	2	1+2
	0300949	0300690	0300691	F800	1605000	4540315	4540345	4545100

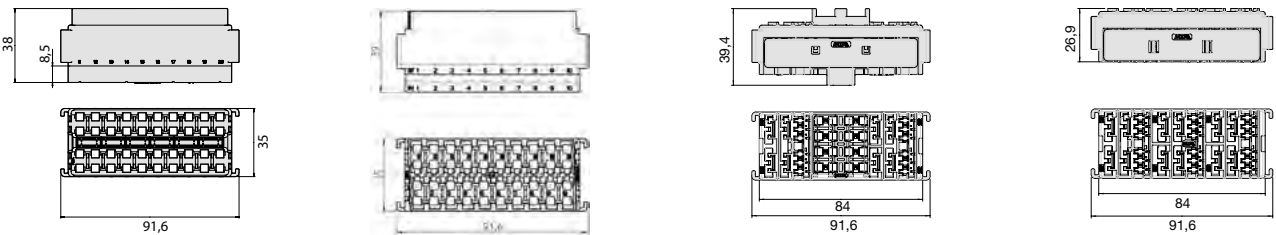


# MAIN DISTRIBUTION UNITS

# MODULES



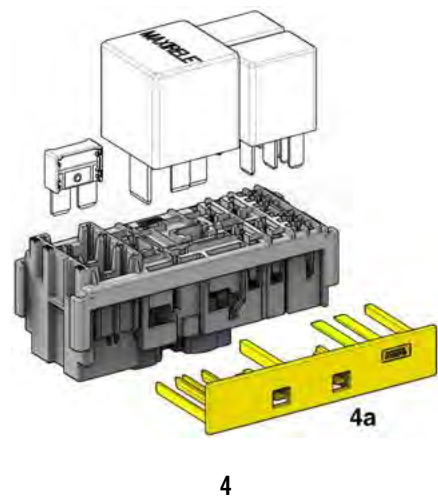
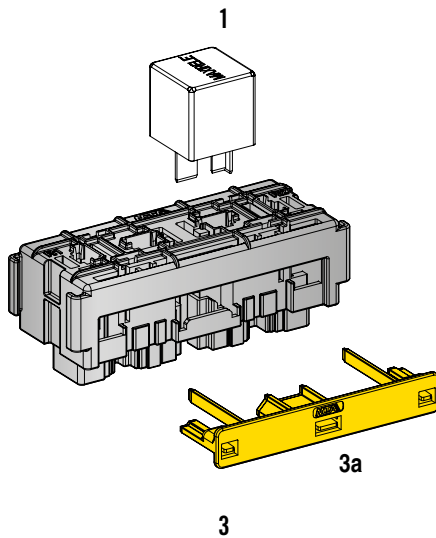
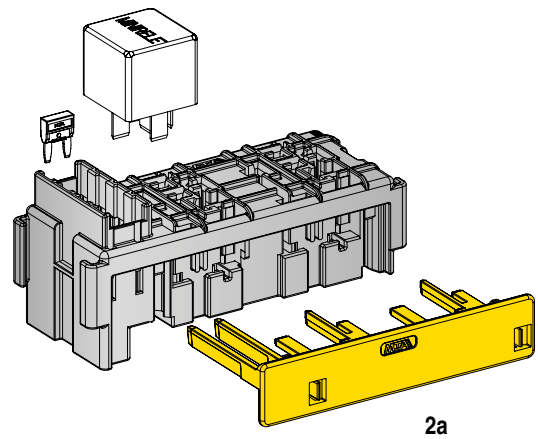
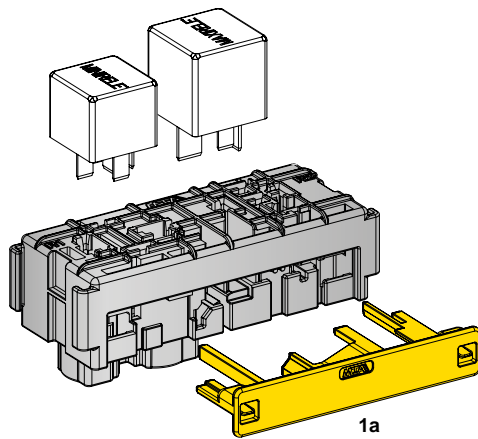
IMG	DESCRIPTION	WAY	MATERIAL	COLOUR		P/N BOX WITH S.LOCK	M.O.Q.	P/N BULK	M.O.Q.
1	MINIVAL MODULE	20	PA66 MD25	Grey		0101460	1	0301460	250
2	DIODES/MINIVAL MODULE	20	PA66 MD25	Grey		0101640	1	0301640	230
2a	SECONDARY LOCK		PA66	Yellow				0300793	7000
3	MINIVAL/MICRORELAY MODULE	8 + 4	PA66 MD25	Grey		0101564	1	0301564	132
3a	SECONDARY LOCK		PA66 GF 13	Yellow				0301566	400
4	MICRORELAY MODULE	6	PA66 MD25	Grey		0101484	1	0301484	198
4a	SECONDARY LOCK		PA66 GF 13	Yellow				0301486	400



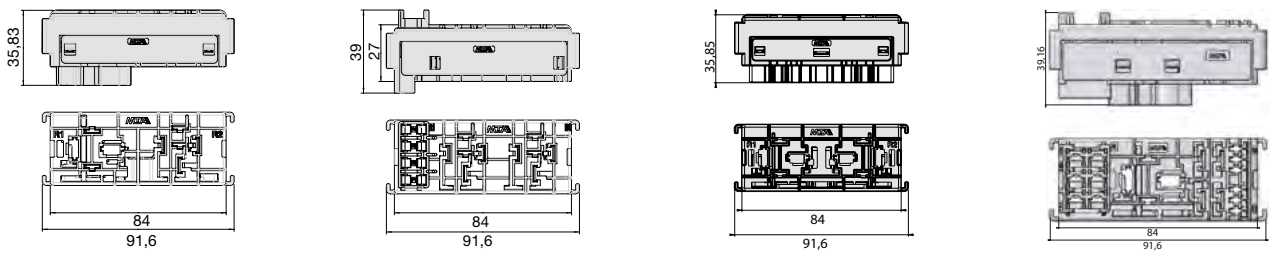
## CONNECTIONS AND FIXINGS

IMG	1+2+3	1+2+3	3+4	3+4	3+4	3+4
	F280	F280 BUS BAR	F480E	F630E	0301630	0301376

# MODULES



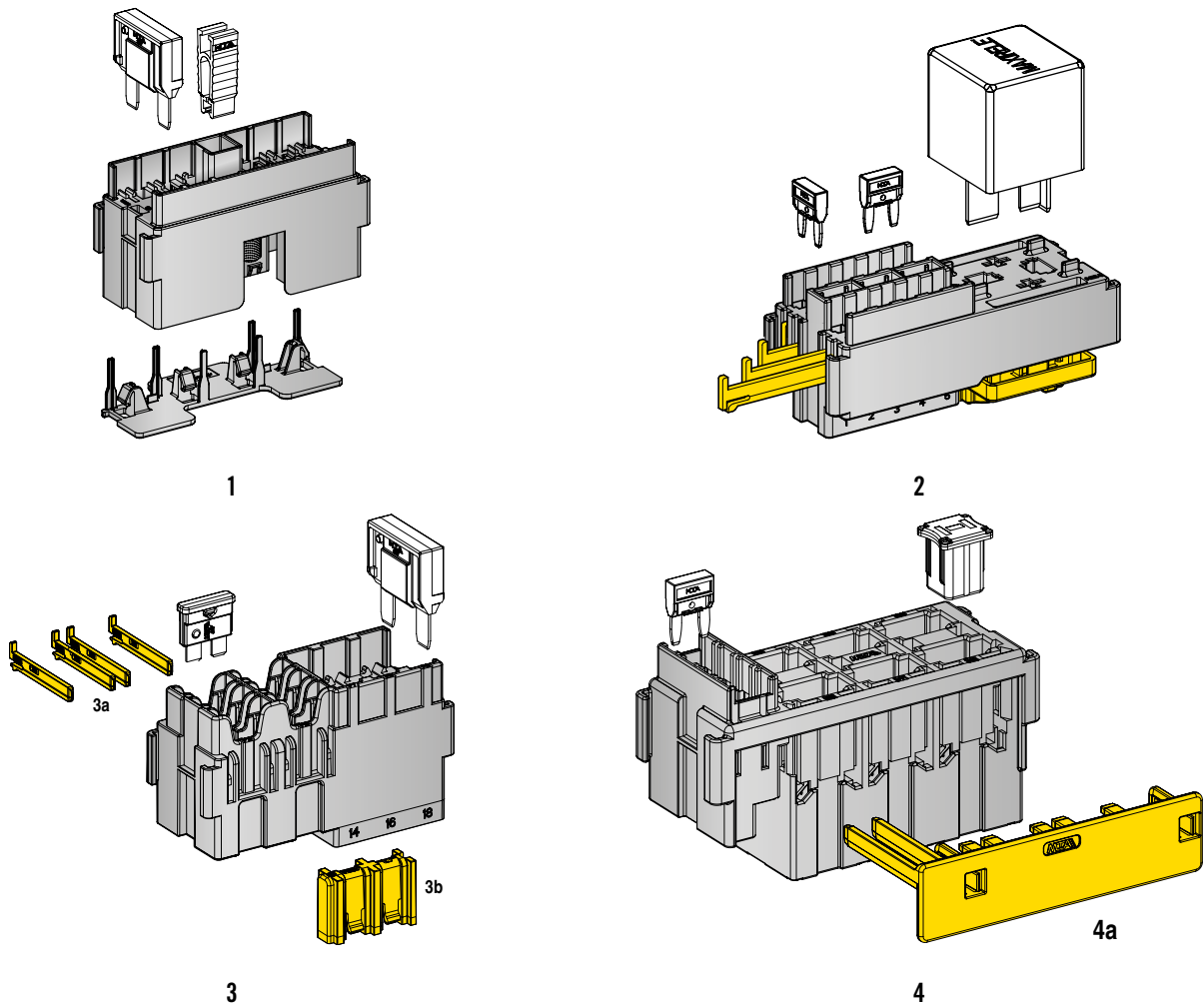
IMG	DESCRIPTION	WAY	MATERIAL	COLOUR	P/N BOX WITH S.LOCK	M.O.Q.	P/N BULK	M.O.Q.
1	MINI/MAXI RELAY MODULE	1 + 1	PA66 MD25	Grey	0101494	1	0301494	132
1a	SECONDARY LOCK		PA66 GF 13	Yellow			0301496	600
2	MINIVAL/MINIRELAY MODULE	4 + 2	PA66 MD25	Grey	0101504	1	0301504	132
2a	SECONDARY LOCK		PA66 GF 13	Yellow			0301506	400
3	MAXIRELAY MODULE	2	PA66 MD25	Grey	0101660	1	0301660	132
3a	SECONDARY LOCK		PA66 GF 13	Yellow			0301661	600
4	MAXICOMPACT/MAXI/MICRO RELAY MODULE	3 + 1 + 2	PA66 MD25	Grey	0101695	1	0301695	132
4a	SECONDARY LOCK		PA66 GF 13	Yellow			0301696	400



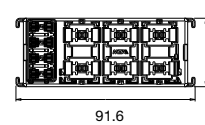
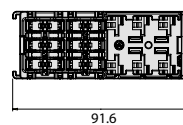
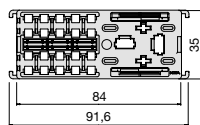
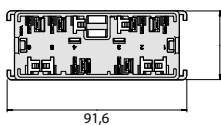
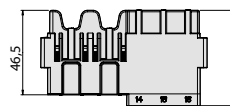
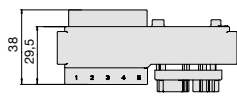
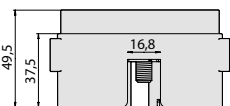
### CONNECTIONS AND FIXINGS

IMG	1+3+4	1+2+3+4	2	2	4	1+2+3+4	1+2+3+4
	F950	F630E	F280	F280 BUS BAR	F480E	0301630	0301376

# MODULES



IMG	DESCRIPTION	WAY	MATERIAL	COLOUR		P/N BOX WITH S.LOCK	M.O.Q.	P/N BULK	M.O.Q.
1	MAXIVAL MODULE	6	PBT GF20	Grey		0101470	1	0301470	162
2	MINIVAL/MAXIRELAY MODULE	10 + 1	PA66 MD25	Grey		0101510	1	0301510	300
3	MAXIVAL/UNIVAL MODULE	3 + 6	PA66 MD25	Grey		0101600	1	0301600	100
3a	SECONDARY LOCK FOR UNIVAL		PA66	Yellow				0301601	6000
3b	SECONDARY LOCK FOR MAXIVAL		PA66	Yellow				0301602	2000
4	MINIVAL/TYPER A1S MODULE	4 + 6	PA66 MD25	Grey		0101690	1	0301690	99
4a	SECONDARY LOCK		PA66 GF13	Yellow				0301691	300

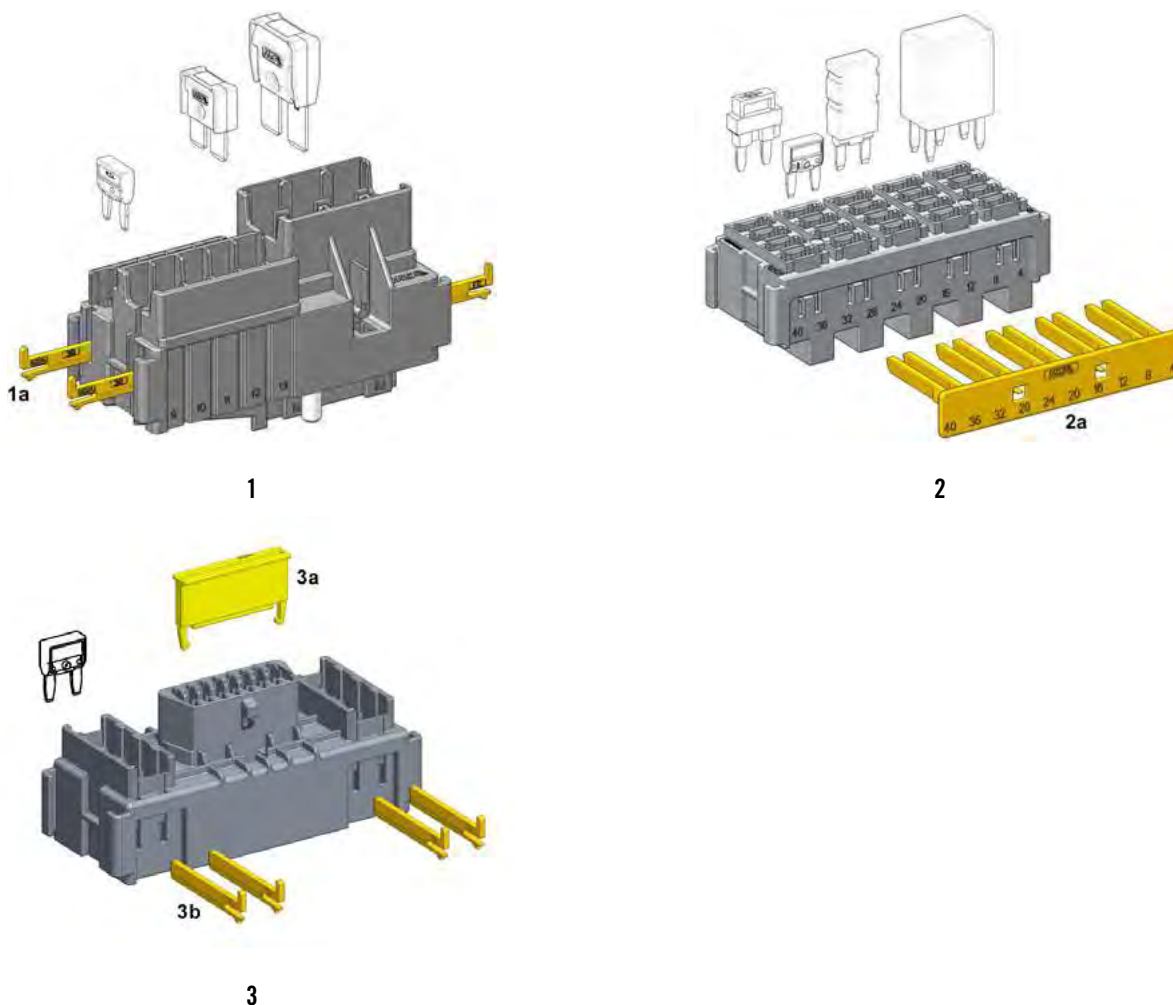


### CONNECTIONS AND FIXINGS

IMG	1+3	2	2	2+4	2+4	3	3	4	2	2
	F800	SPT	F950	F280	F280 BUS BAR	UNI F630	UNI F630 BUS BAR	M630	0301630	0301376

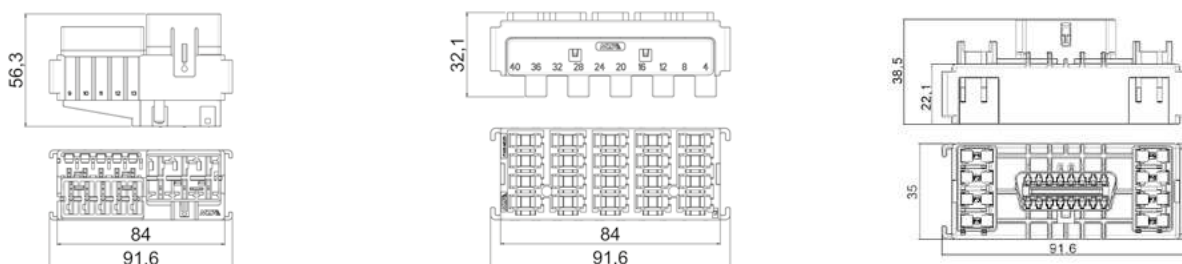


# MODULES



**NEW  
NEW**

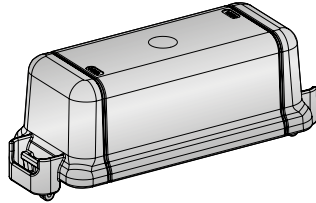
IMG	DESCRIPTION	WAY	MATERIAL	COLOUR	P/N BOX WITH S.LOCK	M.O.Q.	P/N BULK	M.O.Q.
1	MINIVAL/MAXICOMPACT/M8COMPACT MODULE	5 + 5 + 3	PA66 MD25	Grey	0101697	1	0301697	TBD
1a	SECONDARY LOCK		PA 66	Yellow			0300564	486
2	MINIVAL/CIRCUIT BRAKERS/DIODES MODULE MICRO 280 RELAYS MODULE	20 6	PA66 MD25	Grey	0101698	1	0301698	160
2a	SECONDARY LOCK		PA66 GF13	Yellow			0301699	330
3	MINIVAL/OBD MODULE	8 + 1	PA66 GF30	Grey	0101375	1	0301375	TBD
3a	SECONDARY LOCK FOR OBD CONNECTOR		PA 66	Yellow			0300791	5000
3b	SECONDARY LOCK FOR MINIVAL		PA 66	Yellow			0301601	6000



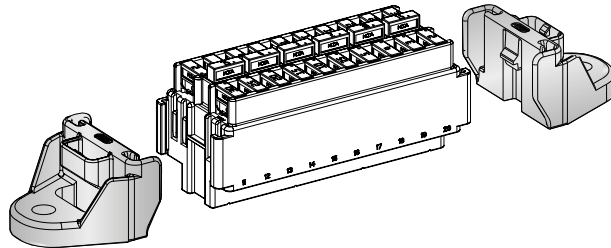
**CONNECTIONS AND FIXINGS**

IMG	1+2+3	2	1	1	2	2	2
F280	F280 BUS BAR	F630E	F800 WITH CLIP	0301630	0301376	0301237	

# FRAMES, BRACKETS & COVERS

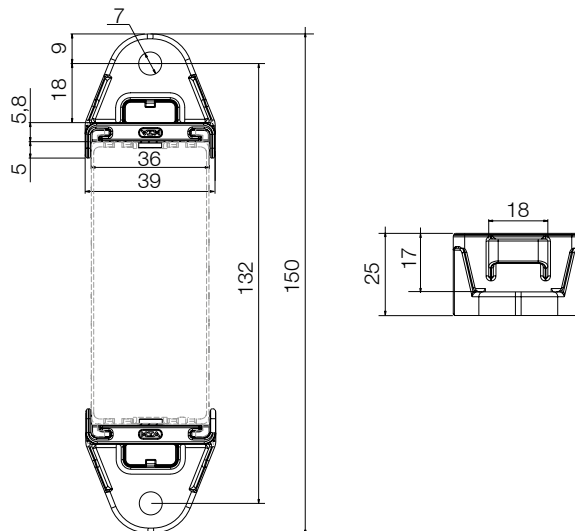


1

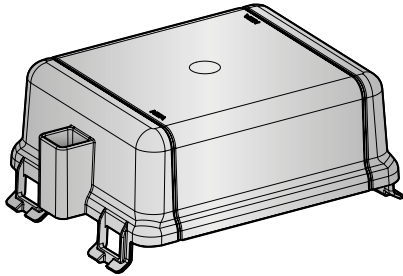


2

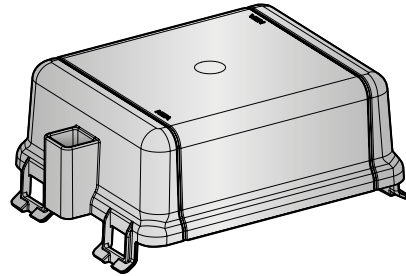
IMG	DESCRIPTION	WAY	MATERIAL	COLOUR		P/N BOX	M.O.Q.	P/N BULK	M.O.Q.
1	COVER	1	PP GF30	Grey		0101590	1	0301590	150
2	BRACKET	1	PP GF30	Grey		0101580	2	0301580	600



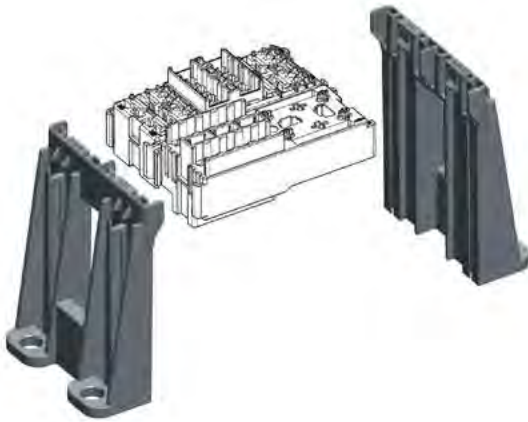
# FRAMES, BRACKETS & COVERS



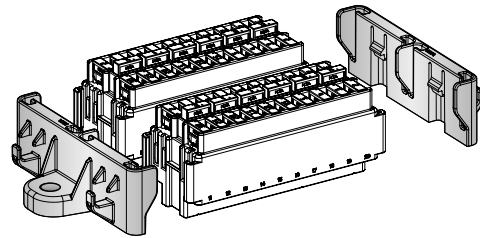
1



2



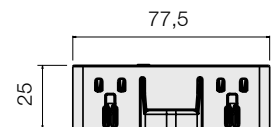
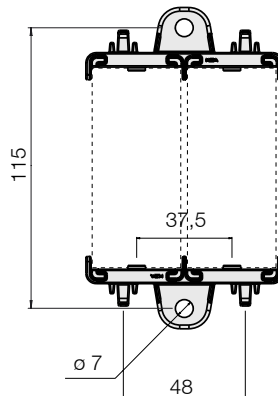
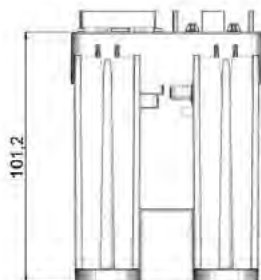
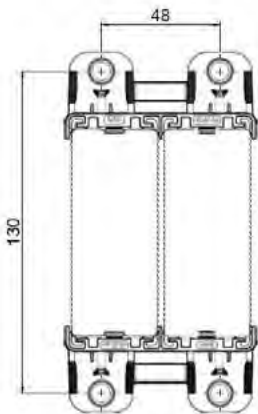
3



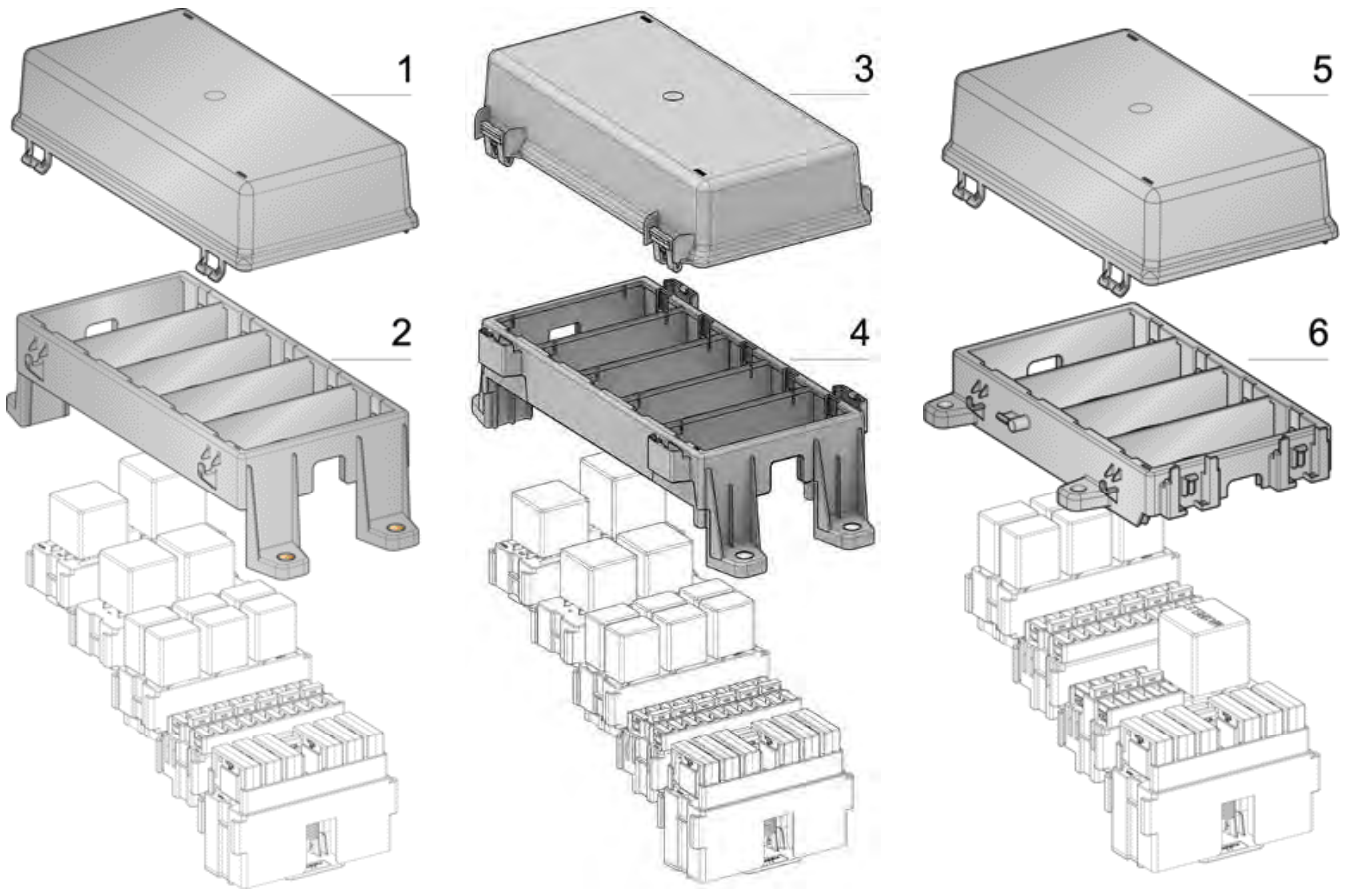
4

NEW

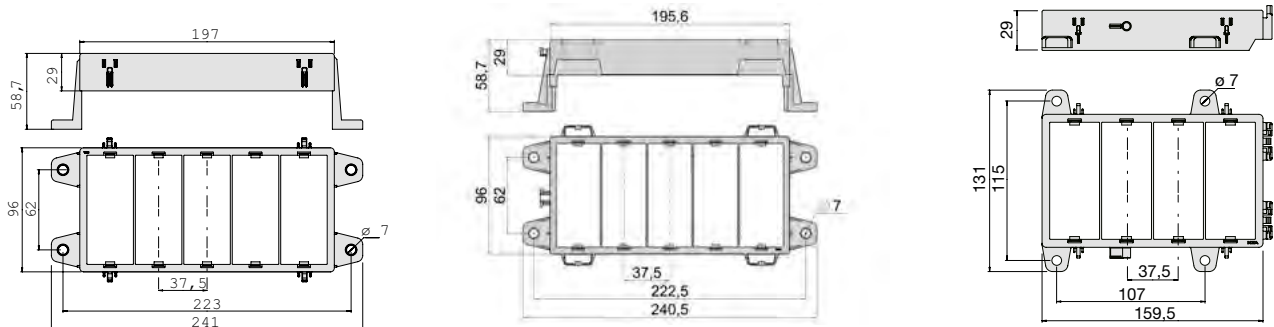
IMG	DESCRIPTION	WAY	MATERIAL	COLOUR		P/N BOX	M.O.Q.	P/N BULK	M.O.Q.
1	COVER	2	PP GF30	Grey		0101550	1	0301550	200
2	COVER	2	PP GF30	Grey		0101550	1	0301550	200
3	BRACKET	2	PP GF30	Grey		0101180	2	0301180	TBD
4	BRACKET	2	PP GF30	Grey		0100699	2	0300699	400



# FRAMES, BRACKETS & COVERS



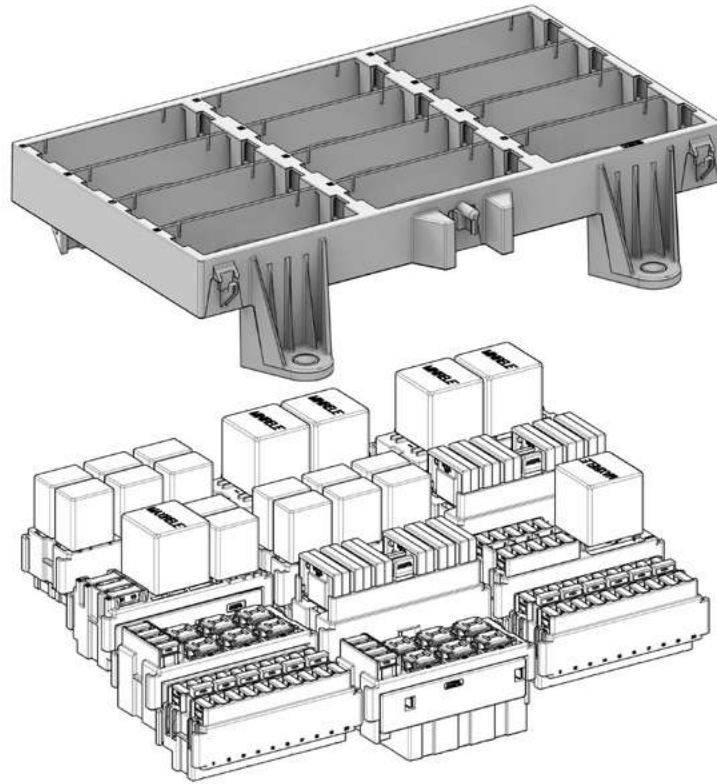
IMG	DESCRIPTION	WAY	MATERIAL	COLOUR		P/N BOX	M.O.Q.	P/N BULK	M.O.Q.
1	COVER	5	PP GF30	Grey		0101540	1	0301540	48
2	FRAME	5	PP GF30	Grey		0101450	1	0301450	85
3	COVER	5	PP GF30	Grey		0101707	1	0301707	60
4	FRAME	5	PP GF30	Grey		0101706	1	0301706	50
5	COVER	4	PP GF30	Grey		0101530	1	0301530	63
6	FRAME	4	PP GF30	Grey		0101520	1	0301520	63



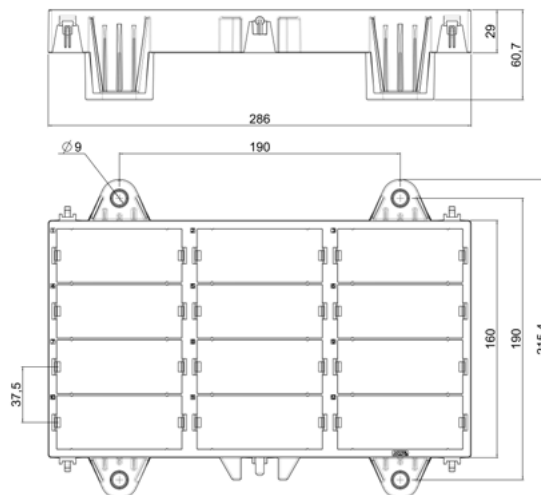
### CONNECTIONS AND FIXINGS



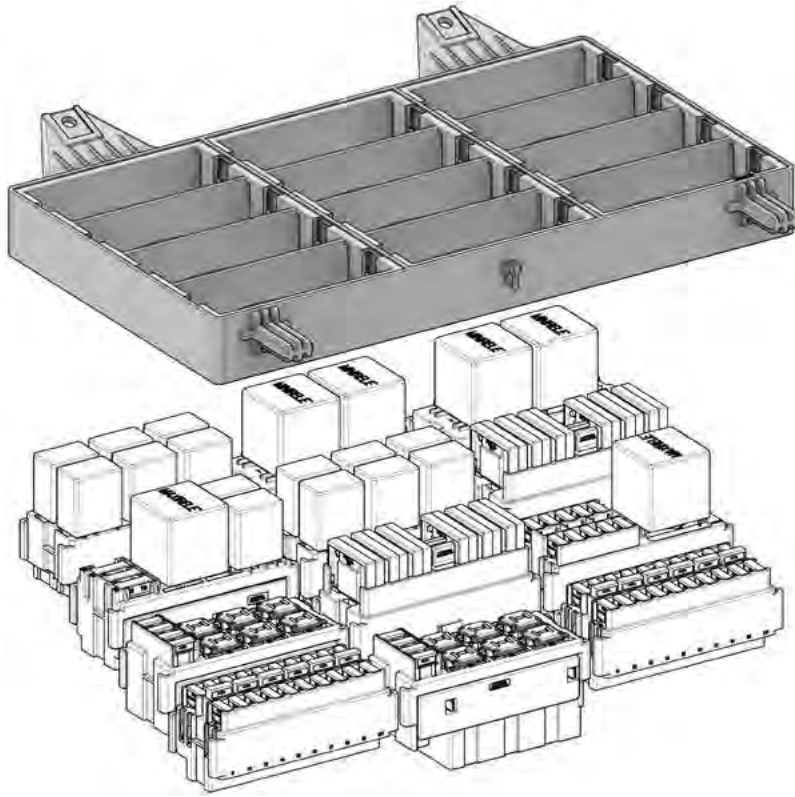
# FRAMES, BRACKETS & COVERS



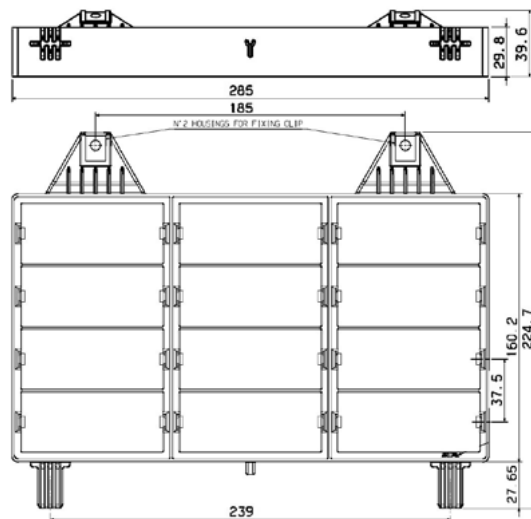
IMG	DESCRIPTION	WAY	MATERIAL	COLOUR		P/N BULK	M.O.Q.
1	FRAME	12	PP GF30	Grey		0301682	25



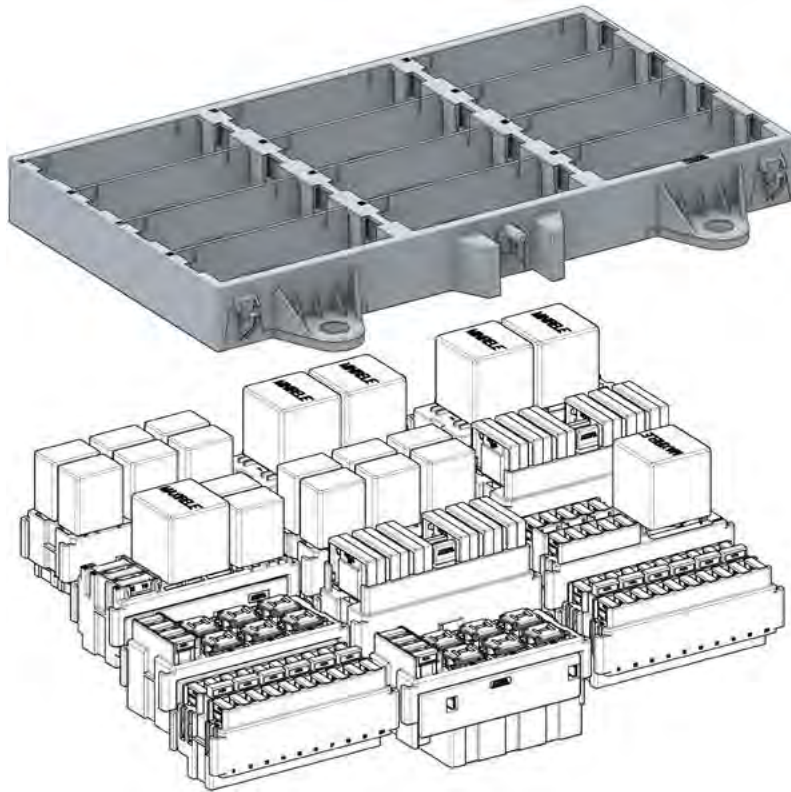
# FRAMES, BRACKETS & COVERS



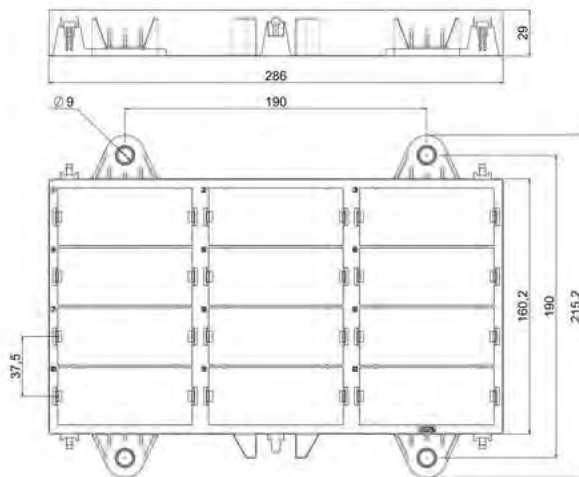
IMG	DESCRIPTION	WAY	MATERIAL	COLOUR		P/N BULK	M.O.Q.
1	FRAME	12	PP GF30	Grey		0301680	104



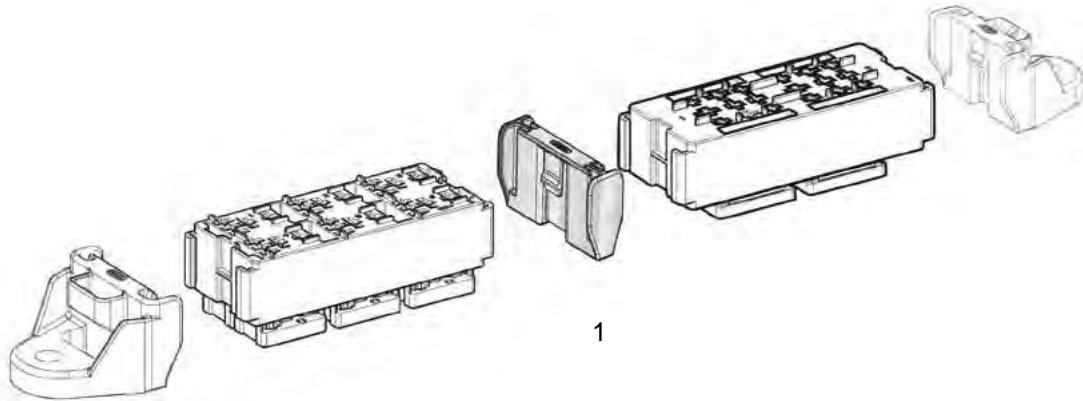
# FRAMES, BRACKETS & COVERS



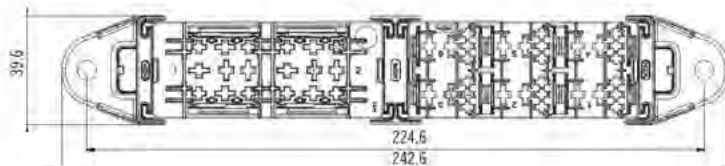
IMG	DESCRIPTION	WAY	MATERIAL	COLOUR		P/N BULK	M.O.Q.
1	FRAME	12	PP GF30	Grey		0301681	30



# FRAMES, BRACKETS & COVERS

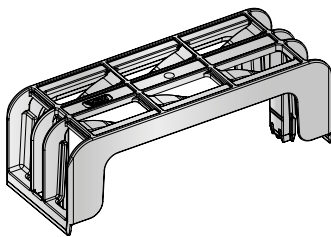


IMG	DESCRIPTION	WAY	MATERIAL	COLOUR		P/N BULK	M.O.Q.
1	BRACKET	1	PP GF30	Grey		0301620	250

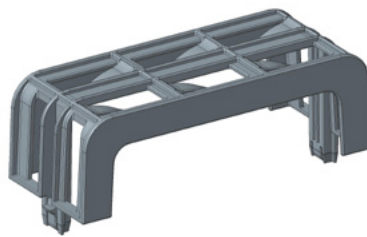




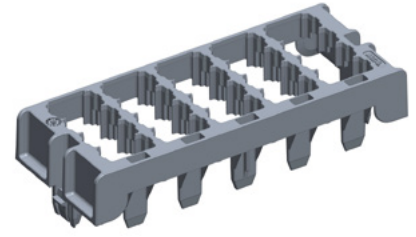
# FRAMES, BRACKETS & COVERS



1

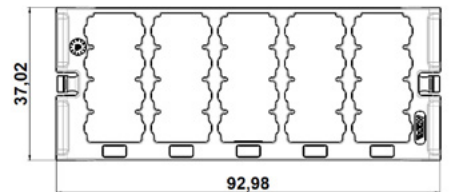
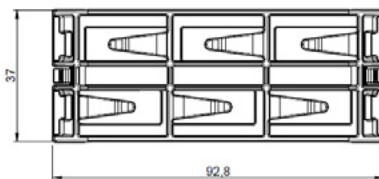
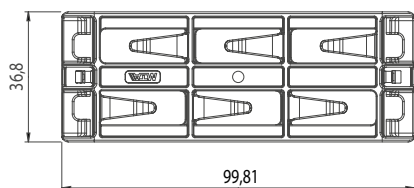
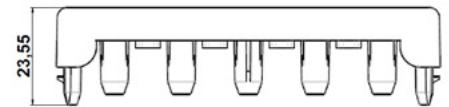
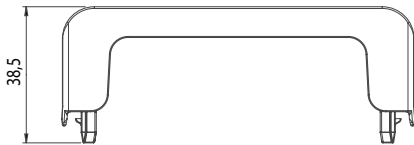


2

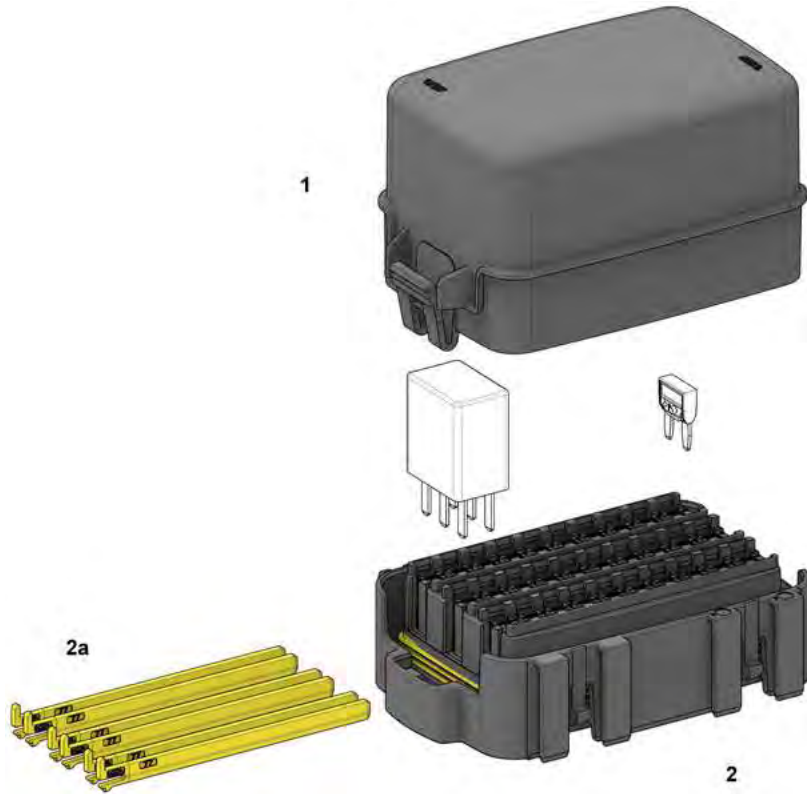


3

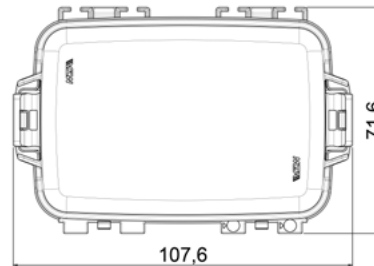
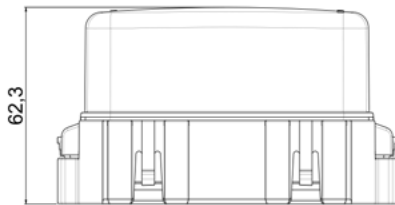
IMG	DESCRIPTION	MATERIAL	COLOUR		P/N BULK	M.O.Q.
	1 RELAY RETAINER	PA66 - GF13	Grey		0301630	350
<b>NEW</b>	2 RELAY RETAINER	PA66 - GF13	Grey		0301376	TBD
<b>NEW</b>	3 CIRCUIT BREAKER RETAINER	PA66 - GF30	Grey		0301237	TBD



# FOOT PRINT WP MODULE



IMG	DESCRIPTION	MATERIAL	COLOUR	P/N BOX WITH S.LOCK	M.O.Q.	P/N BULK	M.O.Q.
1	COVER	PA66 GF30	■ Black	0101371	1	0301371	100
2	30 MINIVAL or 10 MICRORELAY WP FOOTPRINT MODULE	PA66 MD25	■ Black	0101370	1	0301370	60
2a	SECONDARY LOCK	PA 66	■ Yellow			0301372	1500



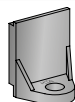
## CONNECTIONS AND FIXINGS



F280 WP

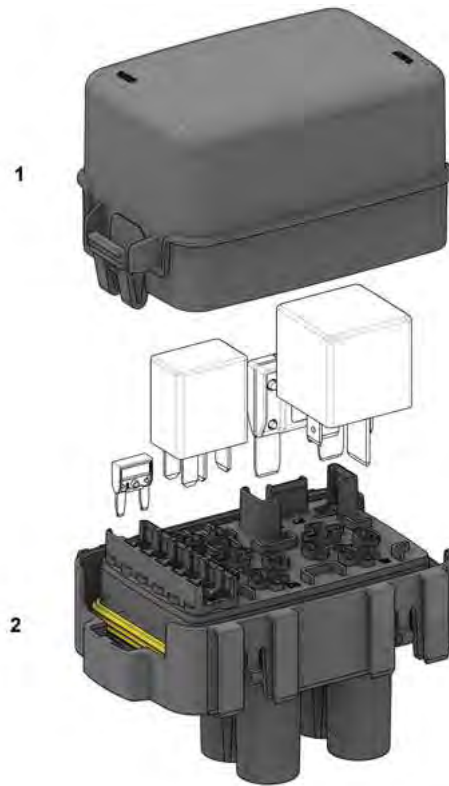


0300690

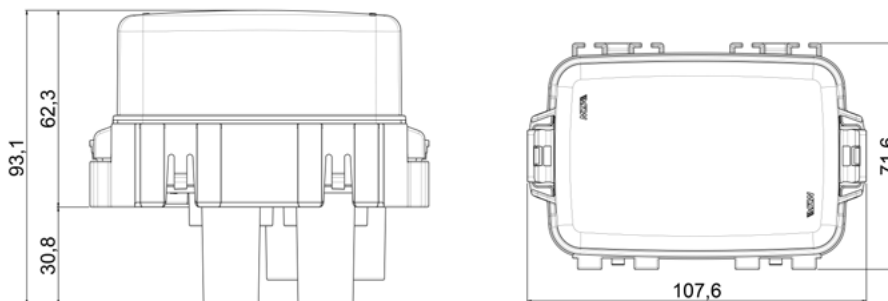


0300691

# MINI/MAXIVAL - MAXI/MICRO RELAY WP MODULE



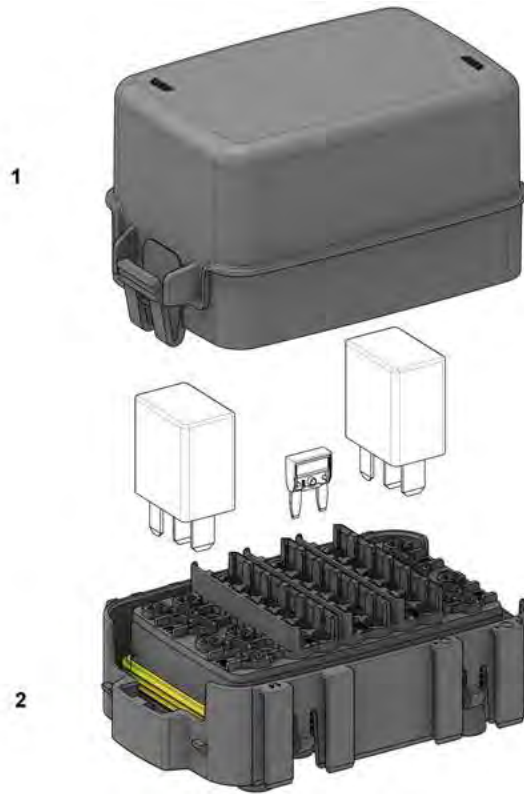
IMG	DESCRIPTION	MATERIAL	COLOUR	P/N BOX	M.O.Q.	P/N BULK	M.O.Q.
1	COVER	PA66 GF30	■ Black	0101371	1	0301371	100
2	6 MINIVAL + 1 MAXIVAL + 2 MAXIRELAY + 1 MICRORELAY MODULE	PA66 MD25	■ Black	0101491	1	0301491	60



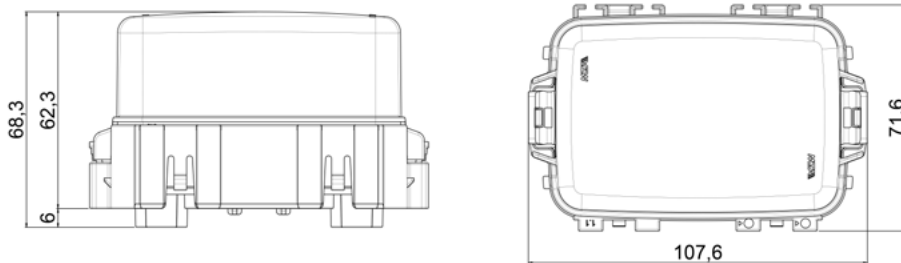
## CONNECTIONS AND FIXINGS



# MINIVAL - MICRO RELAY WP MODULE



IMG	DESCRIPTION	MATERIAL	COLOUR	P/N BOX	M.O.Q.	P/N BULK	M.O.Q.
1	COVER	PA66 GF30	■ Black	0101371	1	0301371	100
2	18 MINIVAL + 4 MICRORELAY MODULE	PA66 MD25	■ Black	0101568	1	0301568	48



## CONNECTIONS AND FIXINGS



F280 WP



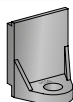
JPT WP



SPT WP

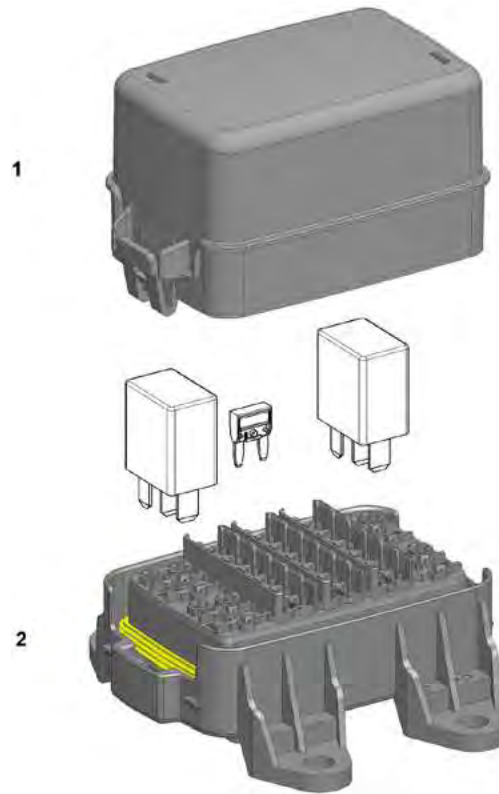


0300690



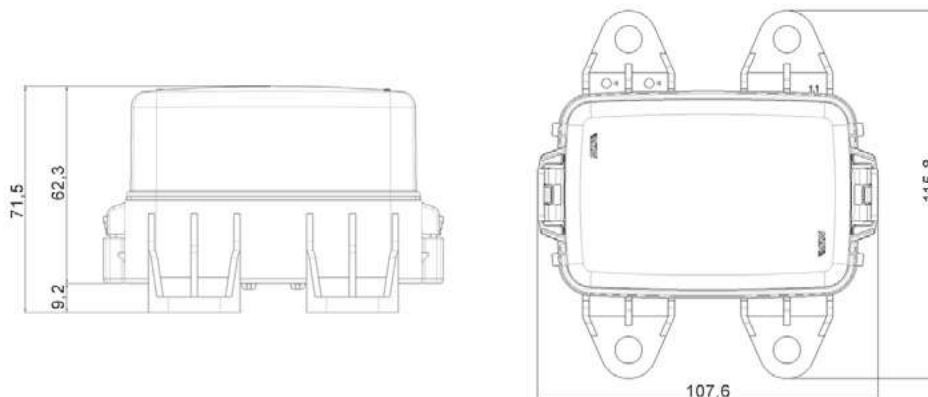
0300691

# MINIVAL - MICRO RELAY WP MODULE



IMG	DESCRIPTION	MATERIAL	COLOUR	P/N BOX	M.O.Q.	P/N BULK	M.O.Q.
1	COVER	PA66 GF30	Black	0101371	1	0301371	100
2	18 MINIVAL + 4 MICRORELAY MODULE WITH MOUNTING BRACKETS	PA66 MD25	Black			0301373	TBD

**NEW**



## CONNECTIONS AND FIXINGS



F280 WP

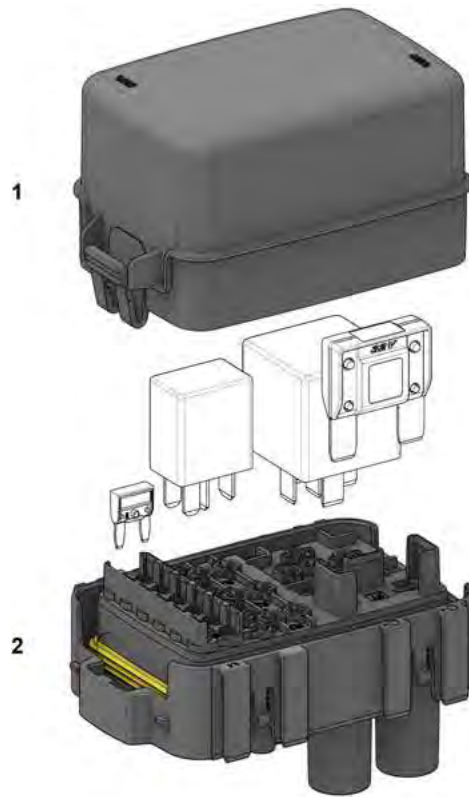


JPT WP

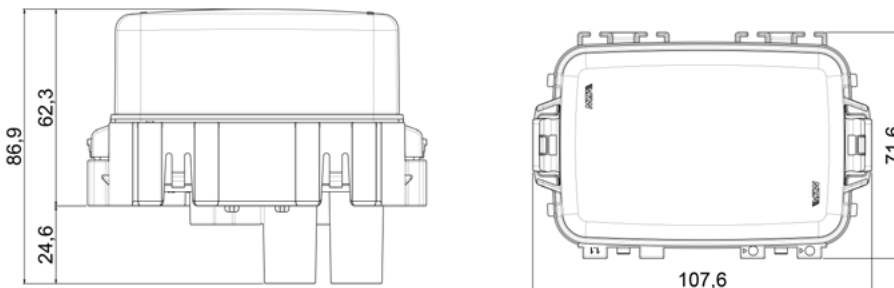


SPT WP

# MINI/MAXIVAL - MINI/MICRO RELAY WP MODULE



IMG	DESCRIPTION	MATERIAL	COLOUR	P/N BOX	M.O.Q.	P/N BULK	M.O.Q.
1	COVER	PA66 GF30	■ Black	0101371	1	0301371	100
2	6 MINIVAL + 1 MAXIVAL + 1 MINIRELAY + 3 MICRORELAY	PA66 MD25	■ Black	0101569	1	0301569	60



## CONNECTIONS AND FIXINGS



F280 WP



F800 WP



JPT WP



SPT WP

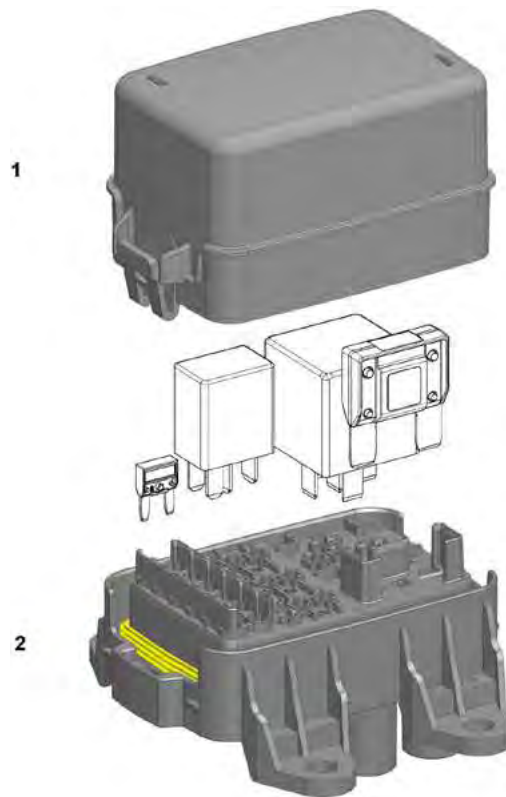


0300690



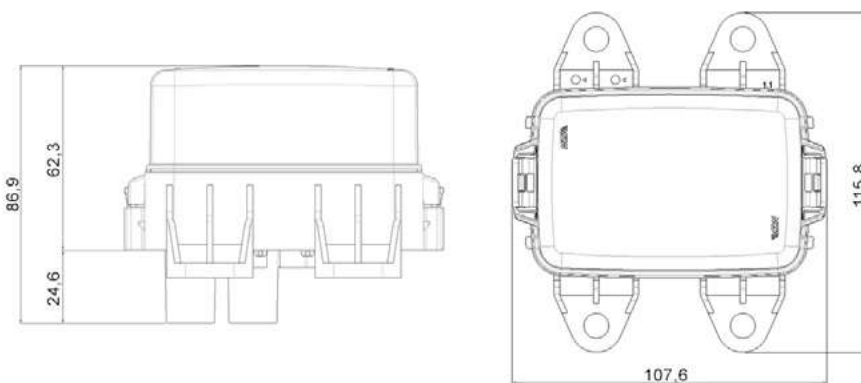
0300691

# MINIVAL - MICRO RELAY WP MODULE



IMG	DESCRIPTION	MATERIAL	COLOUR	P/N BOX	M.O.Q.	P/N BULK	M.O.Q.
1	COVER	PA66 GF30	■ Black	0101371	1	0301371	100
2	6 MINIVAL + 1 MAXIVAL + 1 MINIRELAY + 3 MICRORELAY WITH MOUNTING BRACKETS	PA66 MD25	■ Black			0301374	TBD

NEW



## CONNECTIONS AND FIXINGS



F280 WP



F800 WP

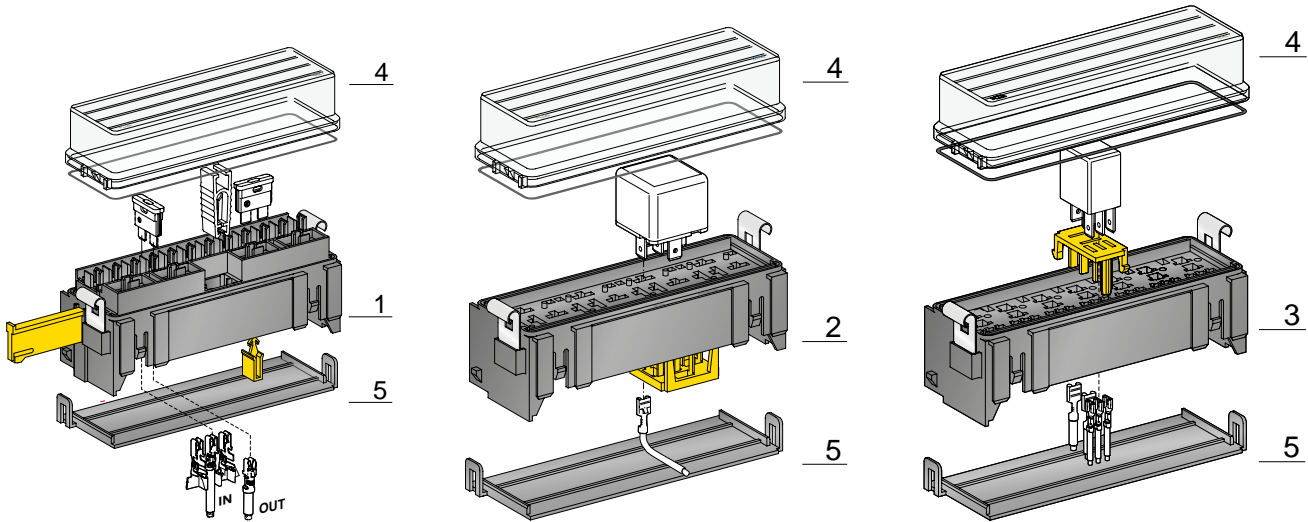


JPT WP

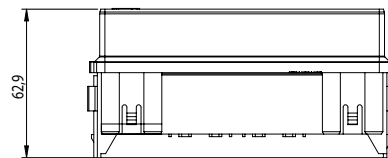
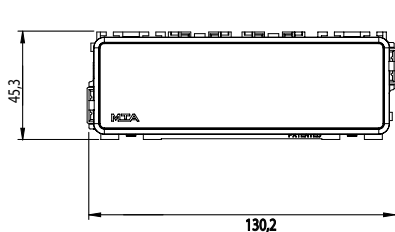


SPT WP

# FUSE BOXES



IMG	DESCRIPTION	WAY	MATERIAL	COLOUR	P/N KIT COVER,BRACKETS AND TERMINALS	M.O.Q.	P/N BULK	M.O.Q.
1	UNIVAL HOLDER	16	PA66 GF25	■ Black	0100655	16	0300650	36
2	MINI RELAY HOLDER	4	PA66 GF25	■ Black	0100665	16	0300660	72
3	MICRO RELAY HOLDER	7	PA66 GF25	■ Black	0100705	16	0300700	100
4	COVER WITH GASKET		PC	□ Natural			0300670	72
5	BOTTOM COVER		PA66	■ Black			0300680	72

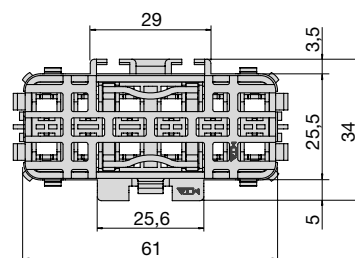
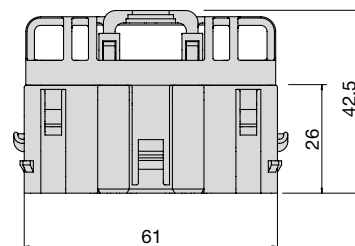
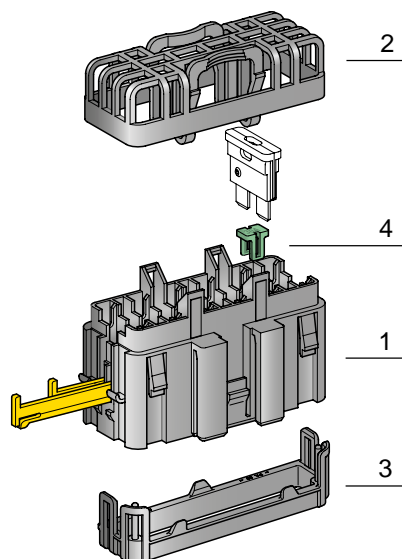


## CONNECTIONS AND FIXINGS

IMG	1+2+3	1+2+3	1	1	2	3	3	1+2+3
	0300690	0300691	UNI F630 BUS BAR	UNI F630	FASTON F630 WITH LOCKING NOTCH	FASTON F480 PASSO 5	FASTON F630 THICKNESS 0,35	0300856



# 6-WAY U.P.L.



IMG	DESCRIPTION	WAY	MATERIAL	COLOUR	P/N BULK	M.O.Q.
1	HOUSING	6	PA66 GF25	Black	0303006	600
2	COVER		PA66 GF30	Black	0303009	600
3	WIRE'S COVER		PA66	Black	0303008	1000
4	IDENTIFICATION INSERT 3 AMP		PBT GF20	Violet	0303003	500
	IDENTIFICATION INSERT 5 AMP		PBT GF20	Beige	0303005	500
	IDENTIFICATION INSERT 7,5 AMP		PBT GF20	Brown	0303007	500
	IDENTIFICATION INSERT 10 AMP		PBT GF20	Red	0303010	500
	IDENTIFICATION INSERT 15 AMP		PBT GF20	Blue	0303015	500
	IDENTIFICATION INSERT 20 AMP		PBT GF20	Yellow	0303020	500
	IDENTIFICATION INSERT 25 AMP		PBT GF20	White	0303025	500
	IDENTIFICATION INSERT 30 AMP		PBT GF20	Green	0303030	500

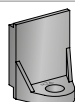
## CONNECTIONS AND FIXINGS



0300949



0300690



0300691

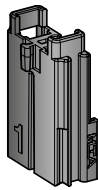
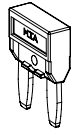


UNI F630  
BUS BAR

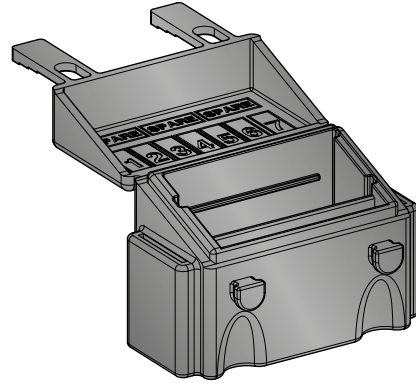


UNI F630

# SML

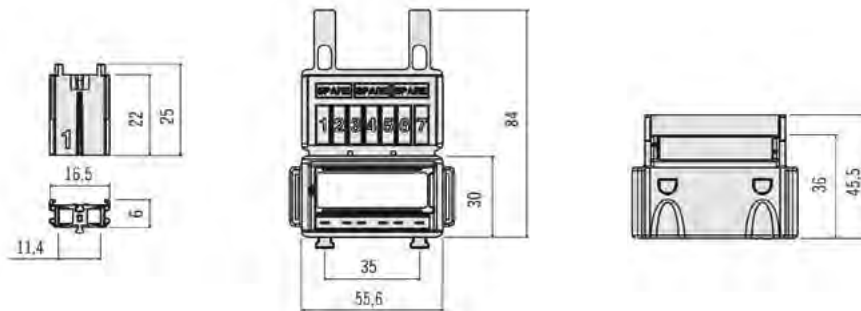


1



2

IMG	DESCRIPTION	WAY	MATERIAL	COLOUR	P/N KIT WITH TERMINALS	M.O.Q.	P/N BULK	M.O.Q.
1	HOUSING	1	PA66 GF30	■ Black			0301420	2800
2	MODULE FOR MINIVAL	7	EPDM-60	■ Black			0301430	250
	MODULE FOR MINIVAL KIT WITH TERMINALS	7	EPDM-60-D15	■ Black	0301435	1	0301431	400

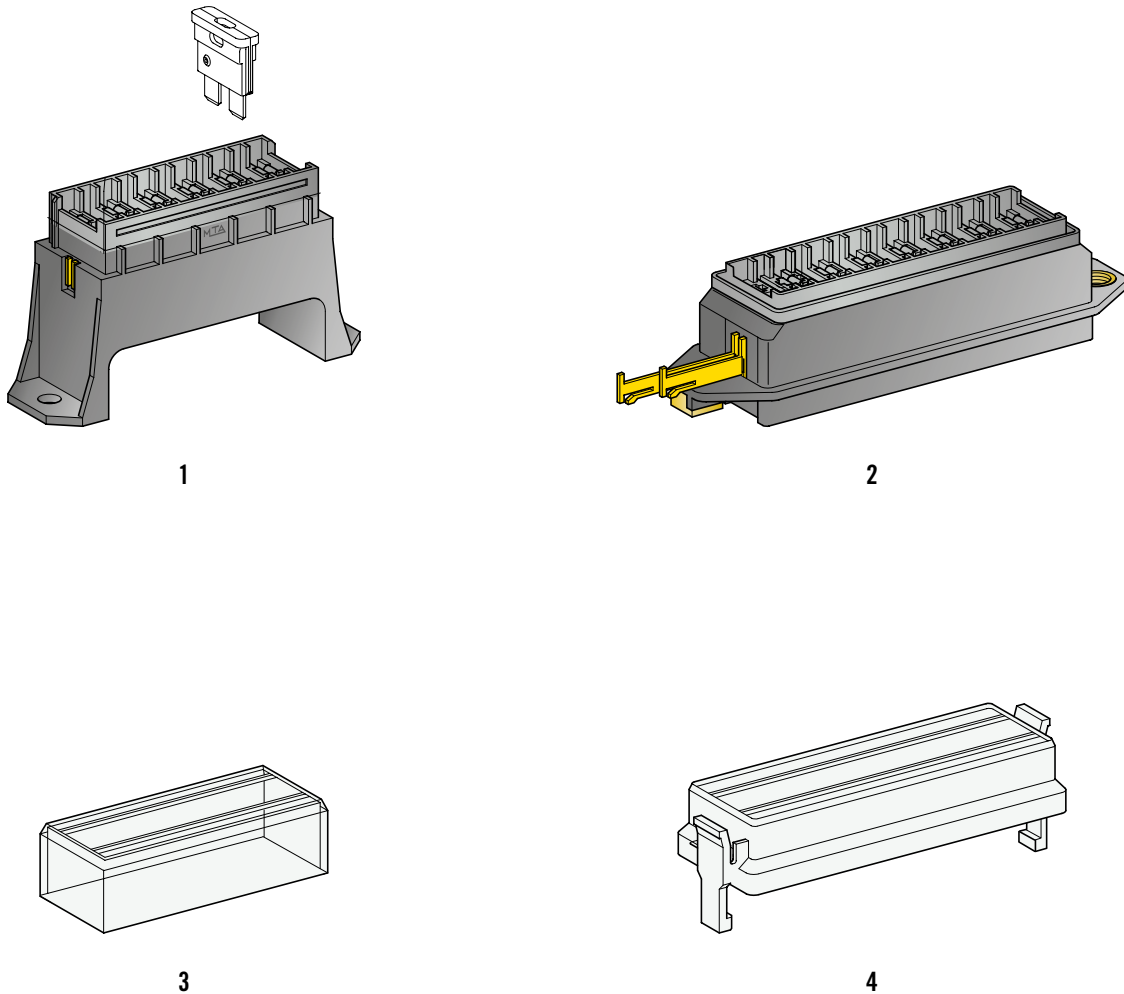


CONNECTIONS AND FIXINGS

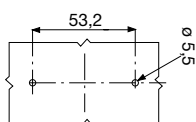


F280

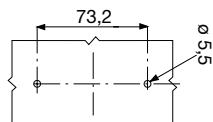
# AXIAL EXITS



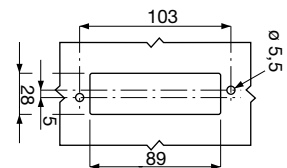
IMG	DESCRIPTION	WAY	MATERIAL	COLOUR	P/N KIT WITH COVER AND TERMINALS	M.O.Q.	P/N BULK	M.O.Q.
1	HOUSING WITH TERMINALS	4	PA66 GF30	■ Black	0100540	10	0300540	500
	HOUSING W/OUT TERMINALS	4	PA66 GF30	■ Black				
	HOUSING WITH TERMINALS	6	PA66 GF30	■ Black	0100560	10	0300560	500
	HOUSING W/OUT TERMINALS	6	PA66 GF30	■ Black				
2	HOUSING WITH TERMINALS	8	PA66 GF30	■ Black	0100580	10	0300580	300
	HOUSING W/OUT TERMINALS	8	PA66 GF30	■ Black				
3	COVER	4	PC	□ Natural			0300542	500
	COVER	6	PC	□ Natural				
4	COVER WITH GASKET	8	PA 12	□ Natural			0300582	150



4 WAY

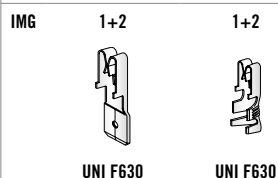


6 WAY

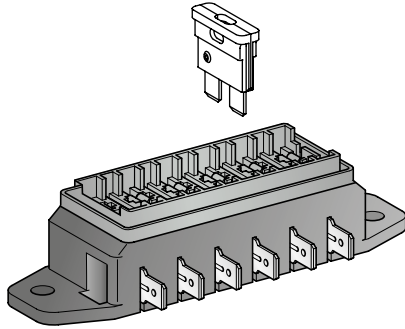


8 WAY

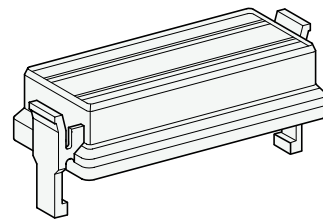
CONNECTIONS AND FIXINGS



# LATERAL EXITS

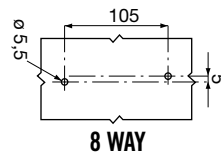
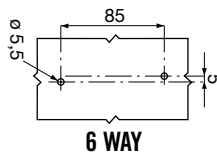
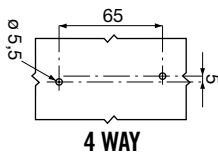


1

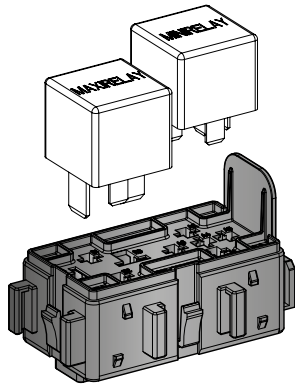


2

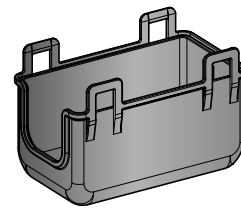
IMG	DESCRIPTION	WAY	MATERIAL	COLOUR	P/N KIT WITH COVER	M.O.Q.	P/N BULK	M.O.Q.
1	HOUSING WITH TERMINALS	4	PA66 GF30	■ Black	0100610	10	0300610	500
	HOUSING WITH TERMINALS	6	PA66 GF30	■ Black	0100600	10	0300600	400
	HOUSING WITH TERMINALS	8	PA66 GF30	■ Black	0100590	10	0300590	300
2	COVER WITH GASKET	4	PA12	□ Natural			0300612	500
	COVER WITH GASKET	6	PA12	□ Natural			0300602	100
	COVER WITH GASKET	8	PA12	□ Natural			0300582	150



# RELAY HOLDER

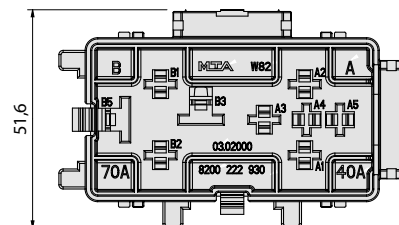
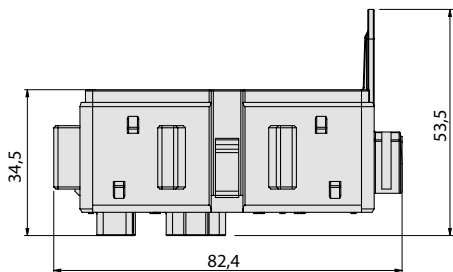


1



2

IMG	DESCRIPTION	WAY	MATERIAL	COLOUR	P/N BULK	M.O.Q.
1	HOLDER FOR MAXI AND MINI RELAY	2	PBT GF20	■ Black	0302000	240
2	UPPER AND BOTTOM COVER		PP	■ Black	0302001	240



**CONNECTIONS AND FIXINGS**

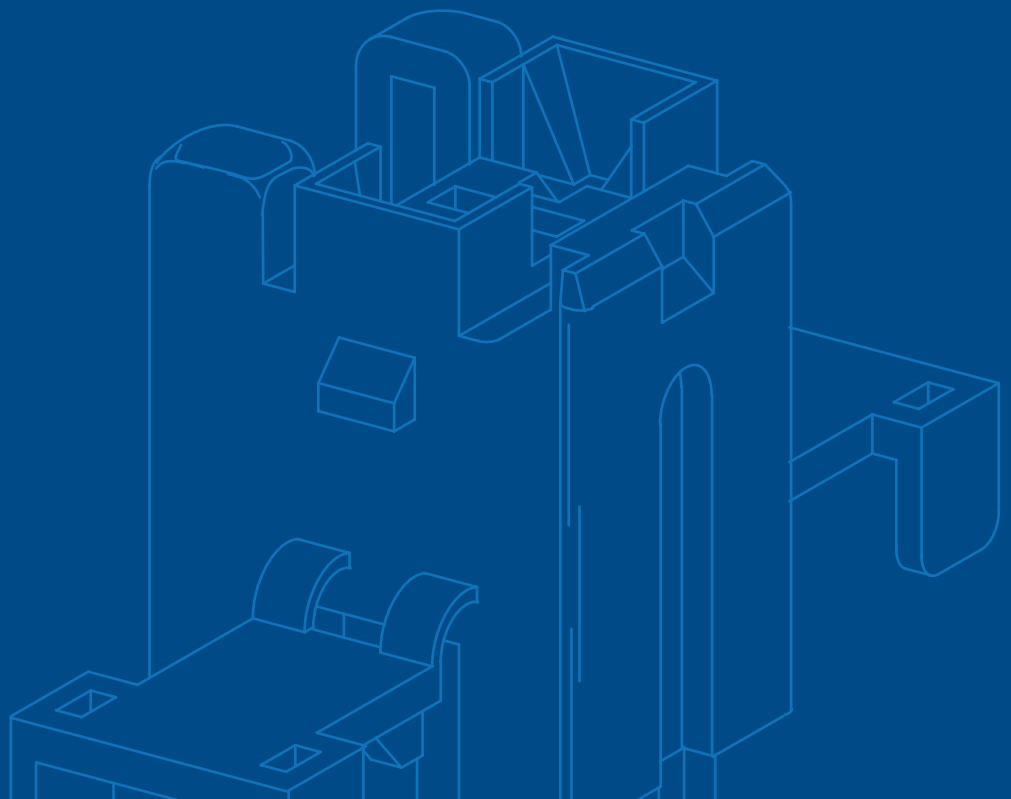


L-TYPE F950

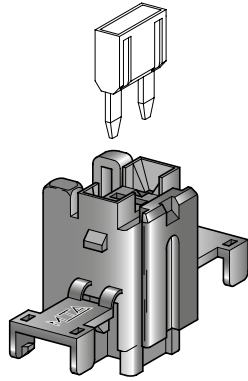


NG1 6,3

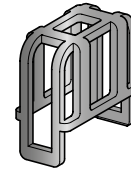
# FUSE/RELAY HOLDERS



# MINIVAL® IN-LINE HOLDER

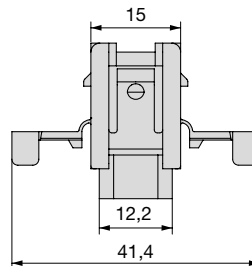
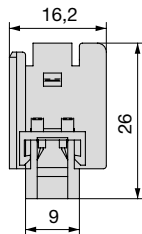


1

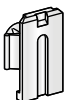


2

IMG	DESCRIPTION	WAY	MATERIAL	COLOUR	P/N BOX	M.O.Q.	P/N BULK	M.O.Q.	P/N BULK	M.O.Q.
1	HOUSING	1	PA66	■ Black	0101400	5	0301400	200	0301410	2000
2	COVER		PA66	■ Black	0100416	5			0300416	2000
	KIT WITH TERMINALS				3050152	20				



## CONNECTIONS AND FIXINGS

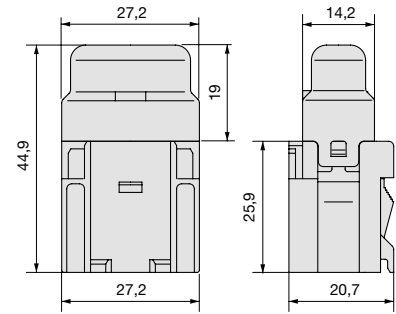
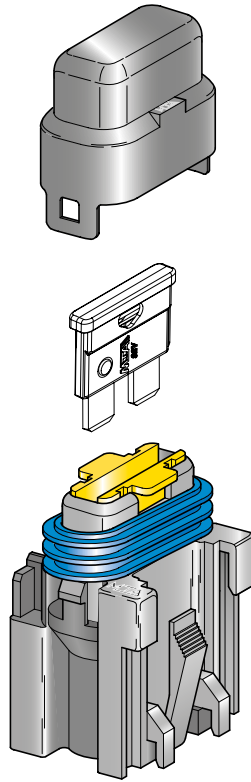


0300395  
0300398



JPT

# SPLASH PROOF UNIVAL® HOLDER



1

IMG.	DESCRIPTION	WAY	MATERIAL	COLOUR	P/N BOX	M.O.Q.	P/N BOX	M.O.Q.	P/N BULK	M.O.Q.
1	S.P. HOLDER + COVER	1	PA66	■ Black					0301301	1200
	+SECONDARY LOCK 1 AMP		PBT GF20	■ Black						
	+SECONDARY LOCK 5 AMP		PBT GF20	■ Beige			0302305	100	0301305	1200
	+SECONDARY LOCK 7,5 A		PBT GF20	■ Brown					0301307	1200
	+SECONDARY LOCK 10 AMP		PBT GF20	■ Red			0302310	100	0301310	1200
	+SECONDARY LOCK 15 AMP		PBT GF20	■ Blue			0302315	100	0301315	1200
	+SECONDARY LOCK 20 AMP		PBT GF20	■ Yellow			0302320	100	0301320	1200
	+SECONDARY LOCK 25 AMP		PBT GF20	□ Natural			0302325	100	0301325	1200
	+SECONDARY LOCK 30 AMP		PBT GF20	■ Green			0302330	100	0301330	1200
	KIT WITH TERMINALS GASKET AND FIXING PLATE				3050153	1				

CONNECTIONS AND FIXINGS



0300949



0300856



0300392



0300440



0300430



0300698



0300697



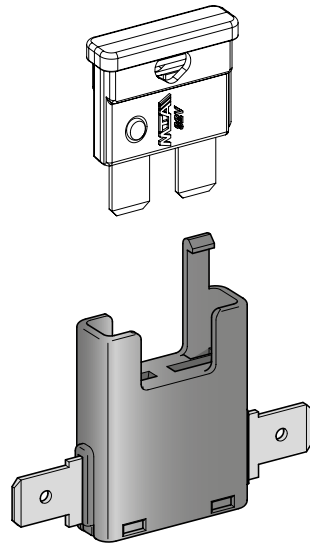
UNI F630



UNI F630  
WITH CLIP

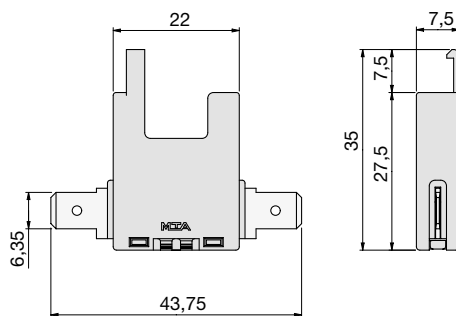


# UNIVAL®NKA HOLDER

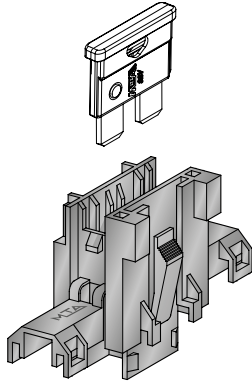


1

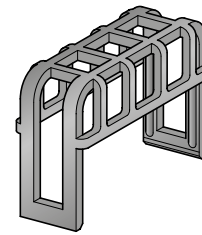
IMG	DESCRIPTION	WAY	MATERIAL	COLOUR	P/N BOX	M.O.Q.	P/N BULK	M.O.Q.
1	NKA FUSEHOLDER	1	PA66	Black	0100345	50	0300345	2000



# UNIVAL® HOLDER

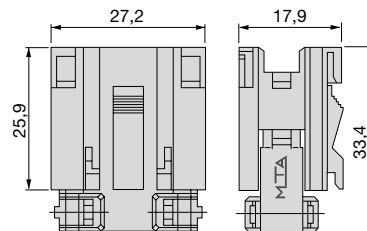


1



2

IMG	DESCRIPTION	WAY	MATERIAL	COLOUR	P/N BOX	M.O.Q.	P/N BULK	M.O.Q.
1	HOLDER	1	PA66	Black	0100400	125	0300400	500
	HOLDER	1	PA66	Beige			0300401	500
	HOLDER	1	PA66	Brown			0300402	500
	HOLDER	1	PA66	Red			0300403	500
	HOLDER	1	PA66	Blue			0300404	500
	HOLDER	1	PA66	Yellow			0300405	500
	HOLDER	1	PA66	White			0300406	500
	HOLDER	1	PA66	Green			0300407	500
2	COVER		PA66 GF30	Black	0100415	25	0300415	1000



CONNECTIONS AND FIXINGS



0300949



0300856



0300392



0300440



0300430



0300698

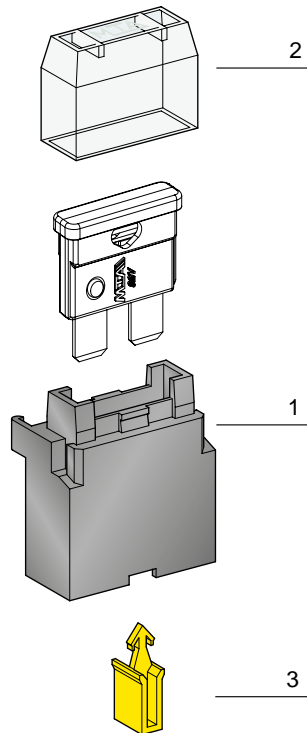


0300697

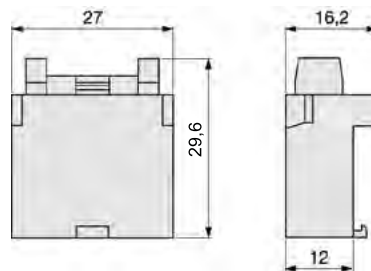


UNI F630

# UNIVAL®HOLDER



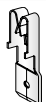
IMG	DESCRIPTION	WAY	MATERIAL	COLOUR	P/N BOX	M.O.Q.	P/N BULK	M.O.Q.
1	HOLDER WITH TERMINALS	1	PA66	■ Black	0100351	250	0300351	1250
	HOLDER WITH SECONDARY LOCK WITHOUT TERMINALS	1	PA66	■ Black			0300354	1000
	HOLDER WITH TERMINALS AND CABLES	1	PA66	■ Black	0100350	25		
2	COVER		PC	□ Clear	0100359	250	0300359	500
3	SECONDARY LOCK		PA66	■ Yellow			0300357	250
	KIT WITH COVER, TERMINALS FIXING PLATE AND EXTRACTOR				0100353 (Blister)	20		



## CONNECTIONS AND FIXINGS



0300352

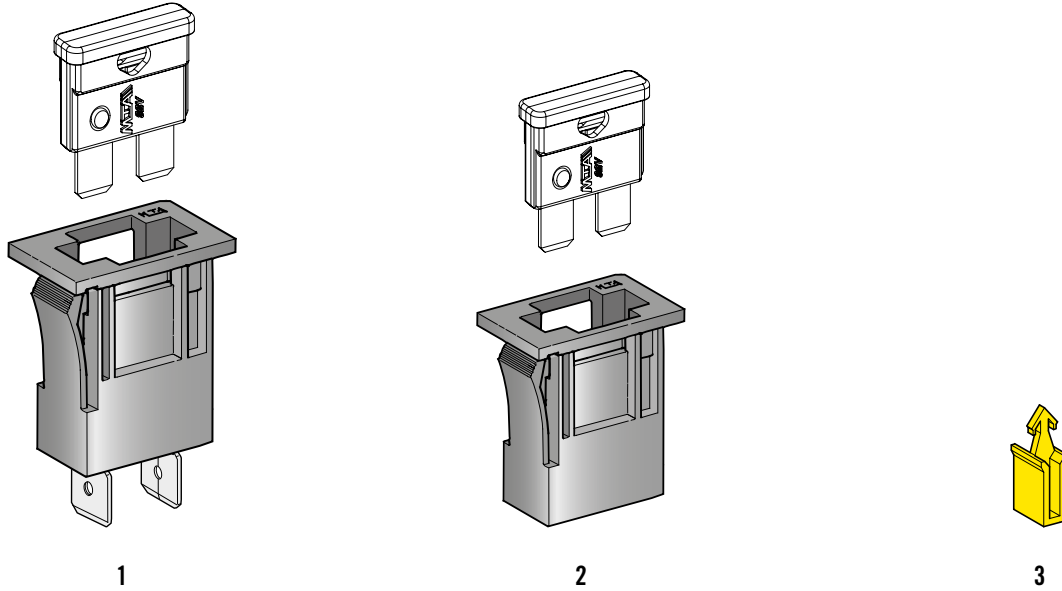


UNI F630

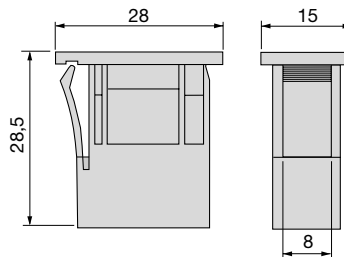


UNI F630

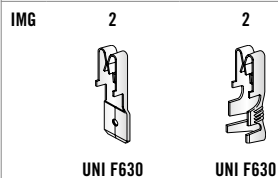
# UNIVAL® INSERTABLE HOLDER



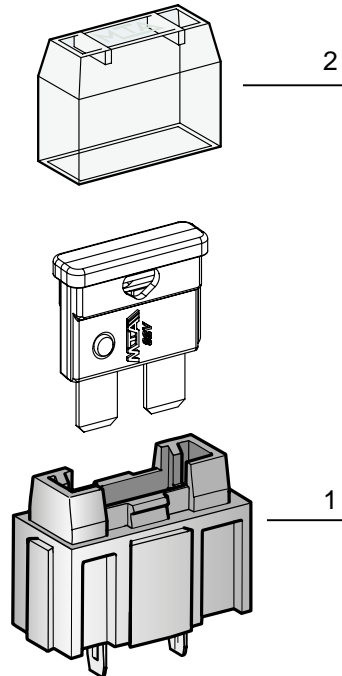
IMG	DESCRIPTION	WAY	MATERIAL	COLOUR	P/N BULK	M.O.Q.
1	HOLDER WITH TERMINALS	1	PA66 GF25	■ Black	0300330	500
2	HOLDER WITHOUT TERMINALS	1	PA66 GF25	■ Black	0300331	1000
3	SECONDARY LOCK		PA66	■ Yellow	0300357	250



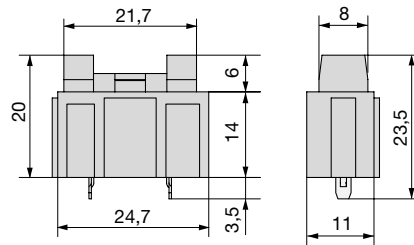
### CONNECTIONS AND FIXINGS



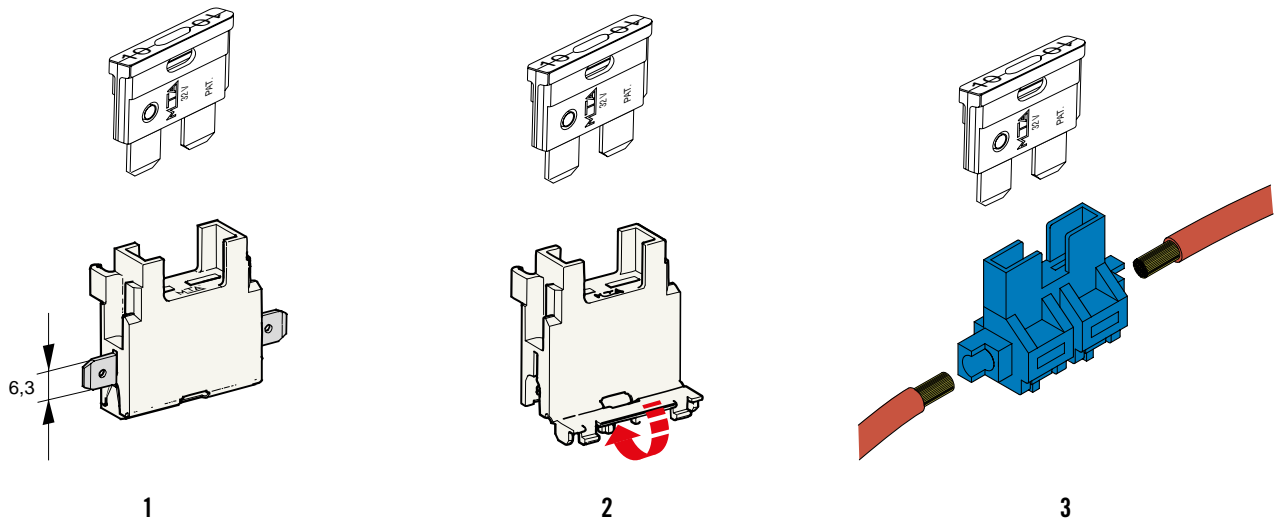
# UNIVAL® PCB HOLDER



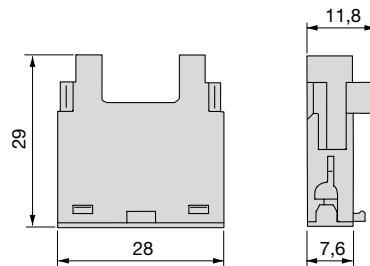
IMG	DESCRIPTION	WAY	MATERIAL	COLOUR	P/N BOX	M.O.Q.	P/N BULK	M.O.Q.
1	HOLDER	1	PA66 GF30	■ Black	0100420	5	0300420	1000
2	COVER	1	PC	□ Natural	0100359	250	0300359	500



# UNIVAL®HOLDER

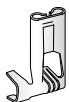


IMG	DESCRIPTION	MATERIAL	P/N BOX	M.O.Q.	P/N BULK	M.O.Q.
1	IN LINE FUSEHOLDER WITH TERMINALS	PA66	0100341	250	0300341	1000
2	IN LINE FUSEHOLDER WITHOUT TERMINALS	PA66			0300342	2500
3	QUICK LOCK FUSEHOLDER	PA66	0100334	25		



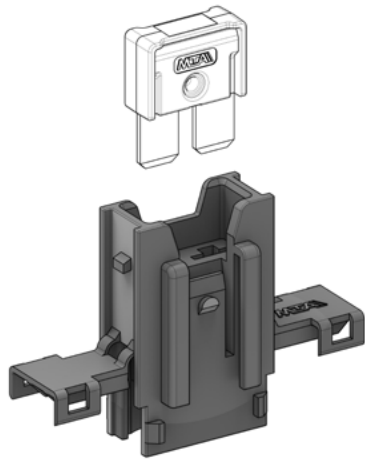
### CONNECTIONS AND FIXINGS

IMG 2

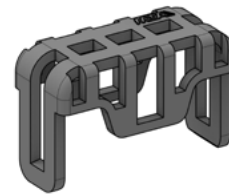


FASTON F630  
FLAG

# MAXICOMPACT® HOLDER

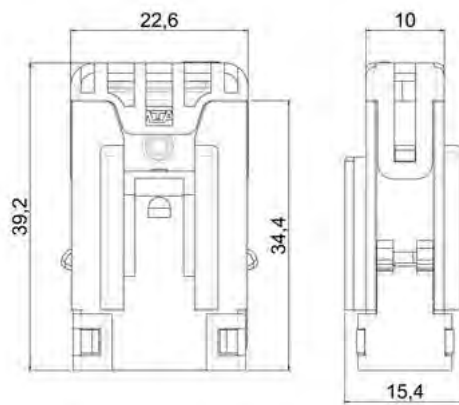


1



2

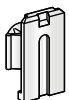
IMG	DESCRIPTION	WAY	MATERIAL	COLOUR	P/N BOX	M.O.Q.	P/N BULK	M.O.Q.
1	HOLDER	1	PA66	■ Black	0101881	40	0301881	600
2	COVER	1	PA66	■ Black	0101882	50	0301882	220



**CONNECTIONS AND FIXINGS**

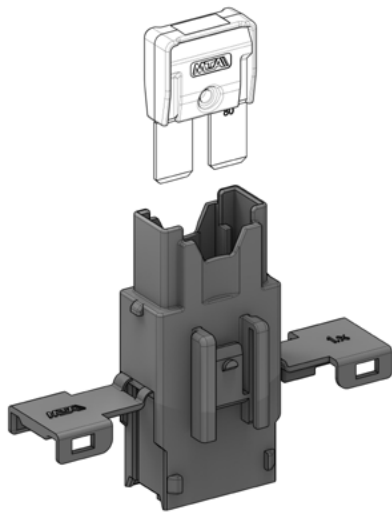


F630E



0300395  
0300398

# M8COMPACT®HOLDER

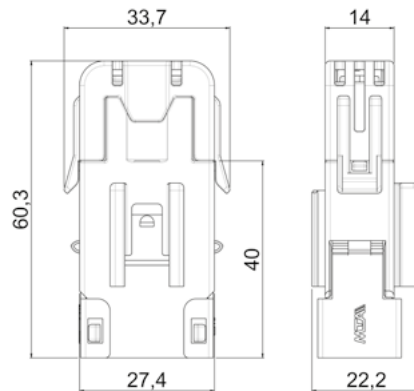


1



2

IMG	DESCRIPTION	WAY	MATERIAL	COLOUR	P/N BOX	M.O.Q.	P/N BULK	M.O.Q.
1	HOLDER	1	PA66	■ Black	0101883	50	0301883	200
2	COVER	1	PA66	■ Black	0101884	50	0301884	220



**CONNECTIONS AND FIXINGS**



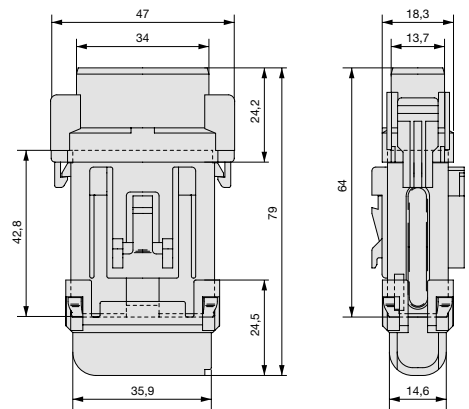
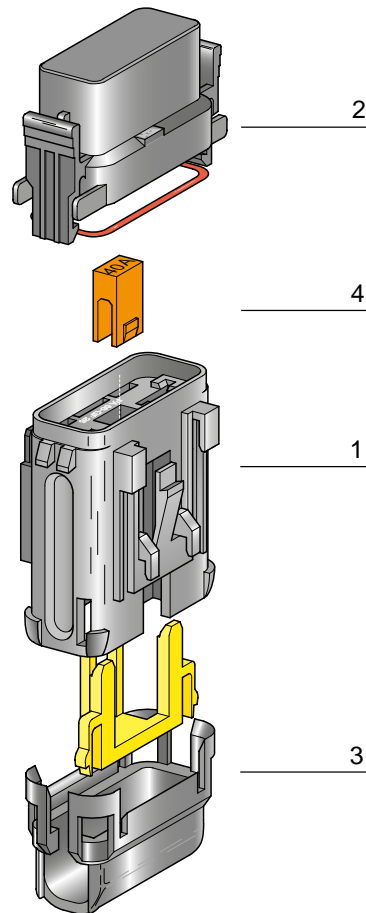
F800  
WITH CLIP



0300395  
0300398



# SPLASH PROOF MAXIVAL® HOLDER



IMG	DESCRIPTION	WAY	MATERIAL	COLOUR	P/N BOX	M.O.Q.	P/N BULK	M.O.Q.
1	HOLDER + SECONDARY LOCK	1	PA66 GF25 PA66 GF30	■ Black ■ Yellow	0321000	250	0301000	800
2	COVER WITH GASKET		PA66	■ Black	0321210	250	0301210	1500
3	BOTTOM COVER		PA66	■ Black	0321200	250	0301200	1500
4	IDENTIFICATION INSERT 30 A		PBT GF20	■ Green			0301030	1500
	IDENTIFICATION INSERT 40 A		PBT GF20	■ Orange			0301040	1500
	IDENTIFICATION INSERT 50 A		PBT GF20	■ Red			0301050	1500
	IDENTIFICATION INSERT 60 A		PBT GF20	■ Blue			0301060	1500
	IDENTIFICATION INSERT 70 A		PBT GF20	■ Beige			0301070	1500
	IDENTIFICATION INSERT 80 A		PBT GF20	□ Natural			0301080	1500
	KIT WITH TERMINALS				0101005	10		

## CONNECTIONS AND FIXINGS



0300949



0300856



0300392



0300440

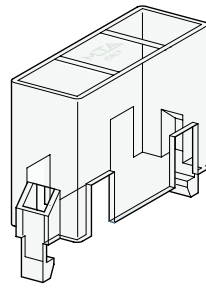


0300430

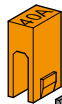


F800

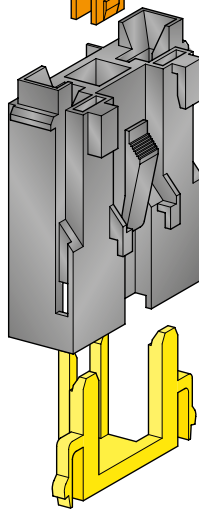
# MAXIVAL® HOLDER



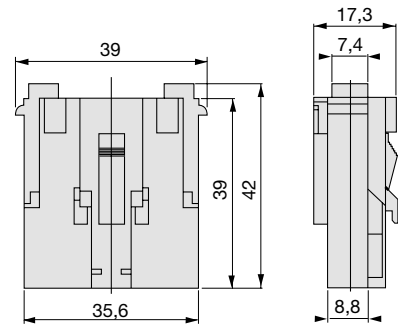
2



3



1



IMG	DESCRIPTION	WAY	MATERIAL	COLOUR	P/N BOX	M.O.Q.	P/N BULK	M.O.Q.
1	HOLDER + SECONDARY LOCK	1	PA66 GF25 PA66 GF30	■ Black ■ Yellow	0100390	50	0300390	1200
2	COVER		PC	□ Natural	0100391	10	0300391	1000
3	IDENTIFICATION INSERT 30 A		PBT GF20	■ Green			0301030	1500
	IDENTIFICATION INSERT 40 A		PBT GF20	■ Orange			0301040	1500
	IDENTIFICATION INSERT 50 A		PBT GF20	■ Red			0301050	1500
	IDENTIFICATION INSERT 60 A		PBT GF20	■ Blue			0301060	1500
	IDENTIFICATION INSERT 70 A		PBT GF20	■ Beige			0301070	1500
	IDENTIFICATION INSERT 80 A		PBT GF20	□ Natural			0301080	1500
	KIT WITH TERMINALS				3001001	25		

## CONNECTIONS AND FIXINGS



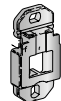
0300949



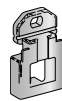
0300856



0300392



0300440

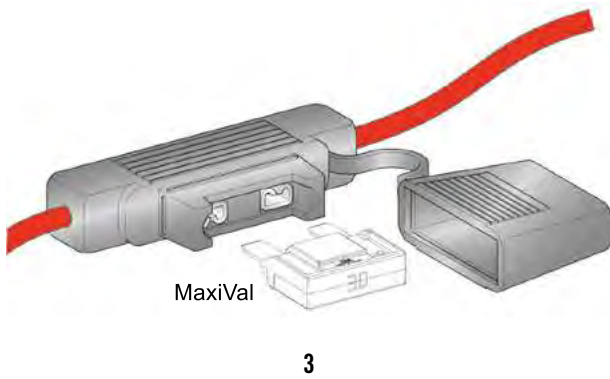
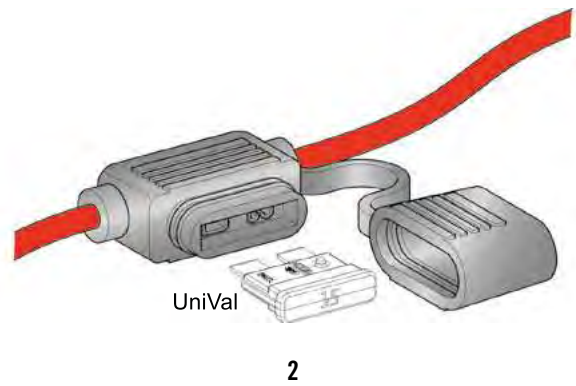
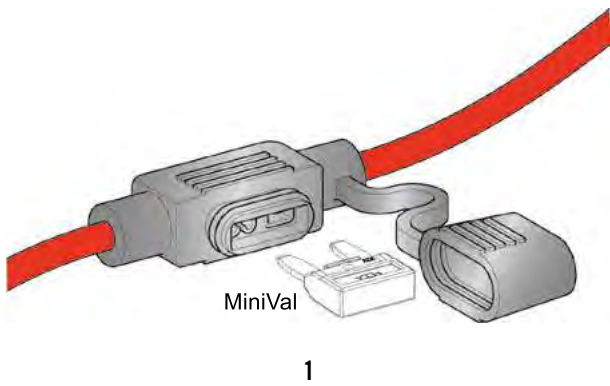


0300430



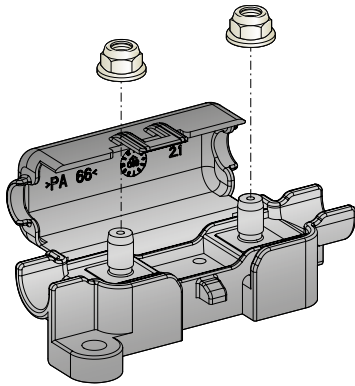
F800

# WATERPROOF FUSE HOLDER

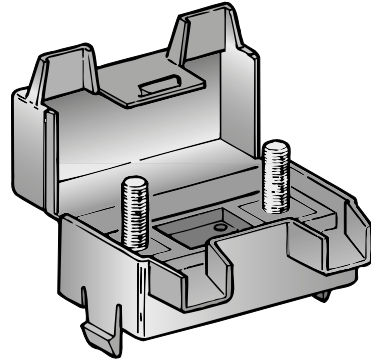


IMG	DESCRIPTION	P/N BOX	M.O.Q.	P/N BULK	M.O.Q.
1	WP MINIVAL FUSEHOLDER WITH CABLE 4 mm <sup>2</sup> L = 140 mm	0100335	5		
2	WP UNIVAL FUSEHOLDER WITH CABLE 4 mm <sup>2</sup> L = 138 mm	0100336	5	0300336	500
3	WP MAXIVAL FUSEHOLDER WITH CABLE 8 mm <sup>2</sup> L = 132 mm	0100337	1		

# MIDIVAL® HOLDER

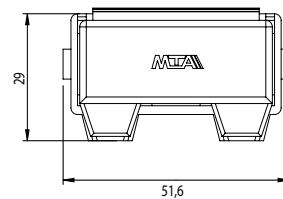
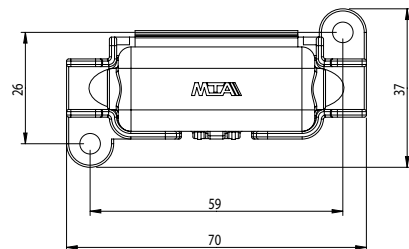
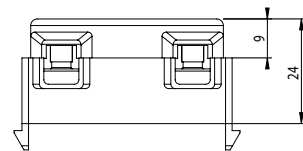
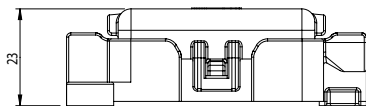


1



2

IMG	DESCRIPTION	WAY	MATERIAL	COLOUR	P/N BOX	M.O.Q.	P/N BULK	M.O.Q.
1	MIDIVAL HOLDER BOLT TYPE WITH NUTS	1	PA66	■ Black	0100360	75	0300360	200
2	MIDIVAL HOLDER CLIP TYPE WITHOUT NUTS	1	PA66	■ Black			0300370	200
	MIDIVAL HOLDER CLIP TYPE WITH NUTS	1	PA66	■ Black	0100370	5		

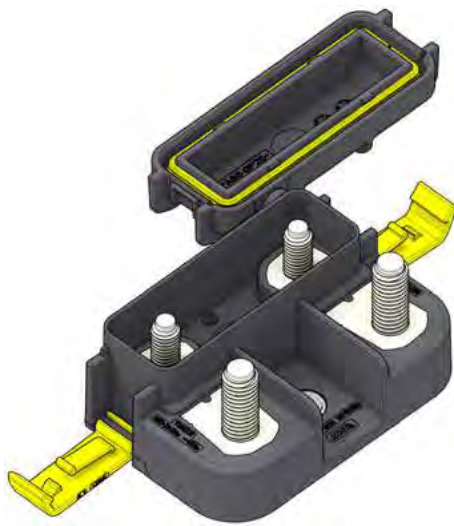


CONNECTIONS AND FIXINGS

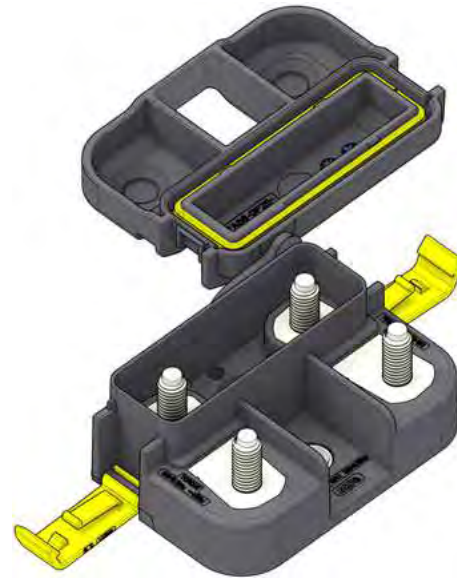


MIDI

# WATER PROOF MEGAVAL® HOLDER

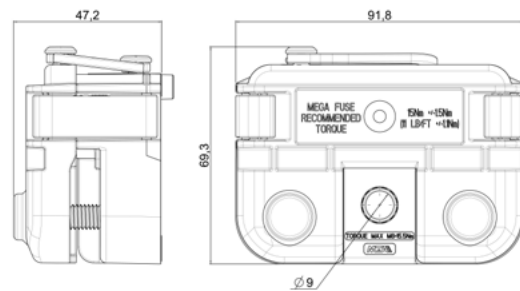
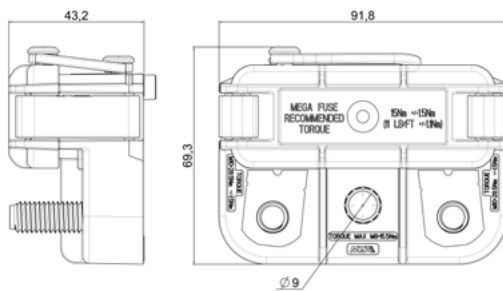


1



2

IMG	DESCRIPTION	WAY	MATERIAL	COLOUR	P/N BOX	M.O.Q.
1	WP MEGAVAL HOLDER	1	PA66 GF25	■ Black	0301502	36
2	WP MEGAVAL HOLDER WITH EXTENDED COVER	1	PA66 GF25	■ Black	0301152	24

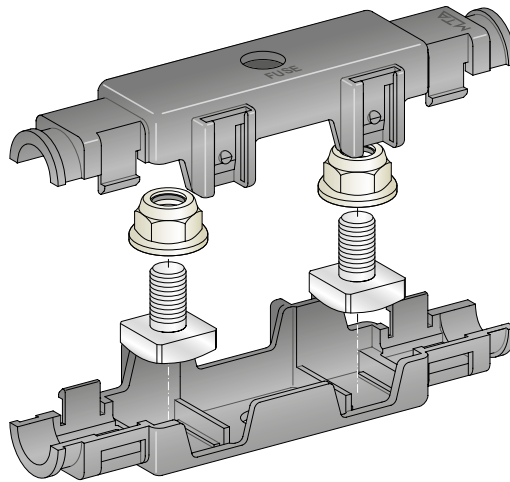


## CONNECTIONS AND FIXINGS



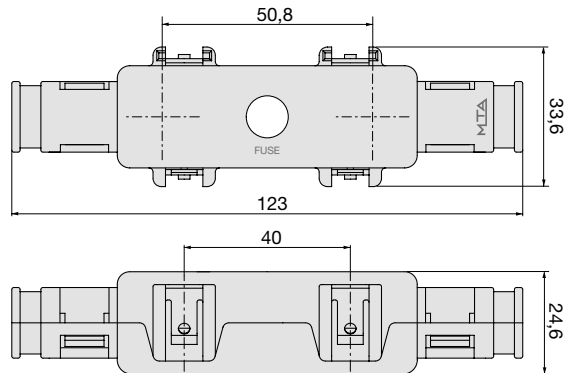
TUBULAR

# MEGAVAL® HOLDER

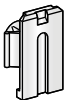


1

IMG	DESCRIPTION	WAY	MATERIAL	COLOUR		P/N	M.O.Q.
1	MEGAVAL HOLDER	1	PA66 GF30	■ Black		0300380	50
	KIT WITH TERMINALS					0100380	10



**CONNECTIONS AND FIXINGS**

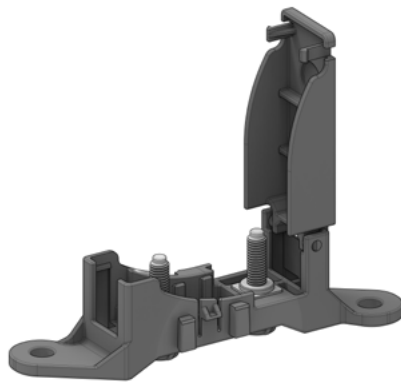


0300395  
0300398

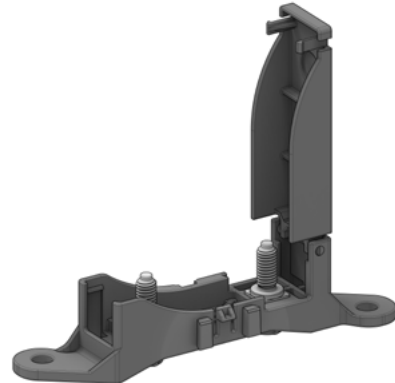


MEGA L34

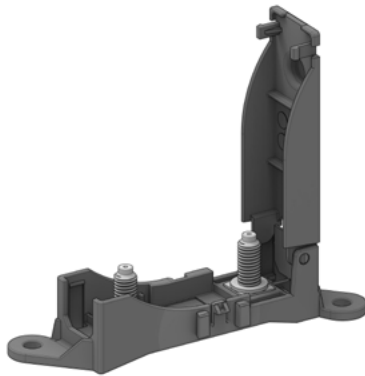
# MIDIVAL®-MEGACOMPACT®-MEGAVAL®HOLDER



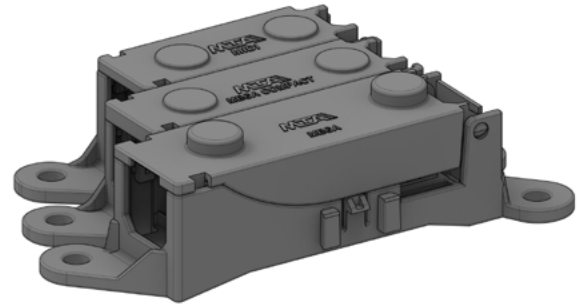
1



2

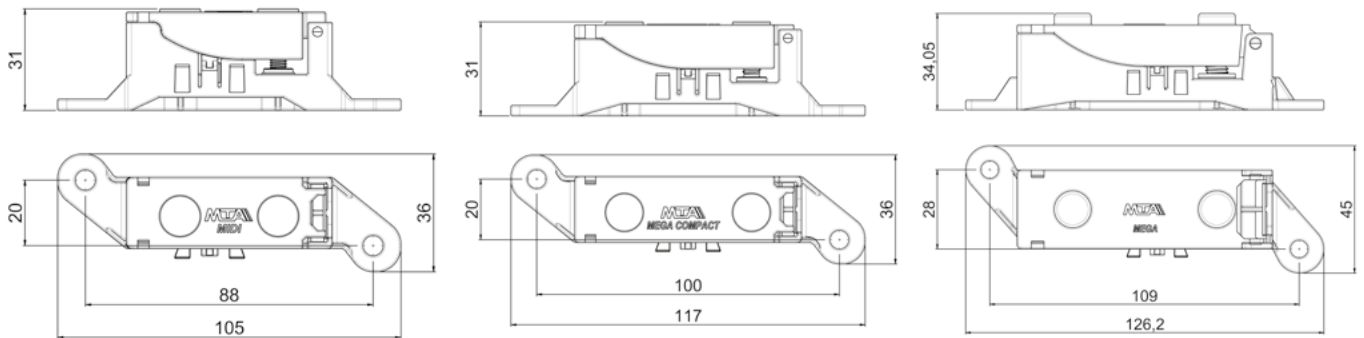


3



EXAMPLE OF A MULTIPLE FUSE BLOCK

IMG	DESCRIPTION	WAY	MATERIAL	COLOUR	P/N BOX	M.O.Q.	P/N BULK	M.O.Q.
1	MIDIVAL HOLDER	1	PA66 GF30	Black	0101499	20	0301499	200
2	MEGACOMPACT HOLDER	1	PA66 GF30	Black	0101497	20	0301497	150
3	MEGAVAL HOLDER	1	PA66 GF30	Black	0101498	20	0301498	100



CONNECTIONS AND FIXINGS

IMG	1	2	2+3	3	3
	MIDI M5	RING STL37	TUBULAR	MEGA M8 POLA	MEGA M8 POLB

# MIDIVAL®-MEGAVAL®HOLDER

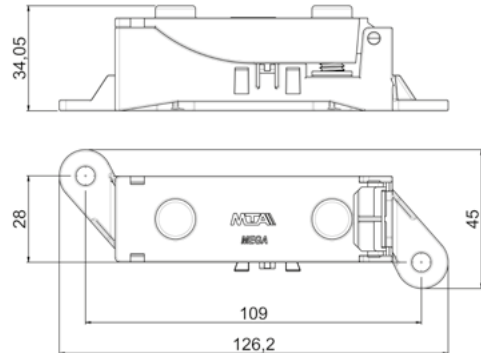
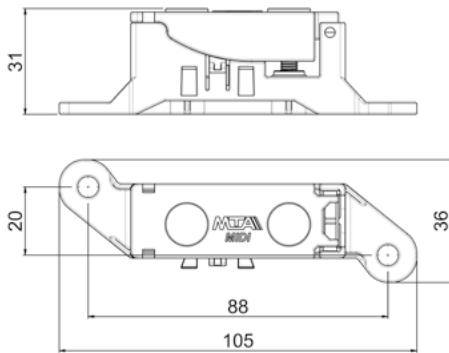


1



2

IMG	DESCRIPTION	WAY	MATERIAL	COLOUR	P/N BOX	M.O.Q.	P/N BULK	M.O.Q.
<b>NEW</b>	1	1	PA66 GF30	■ Black	0101224	20	0301224	200
<b>NEW</b>	2	1	PA66 GF30	■ Black	0101223	20	0301223	100

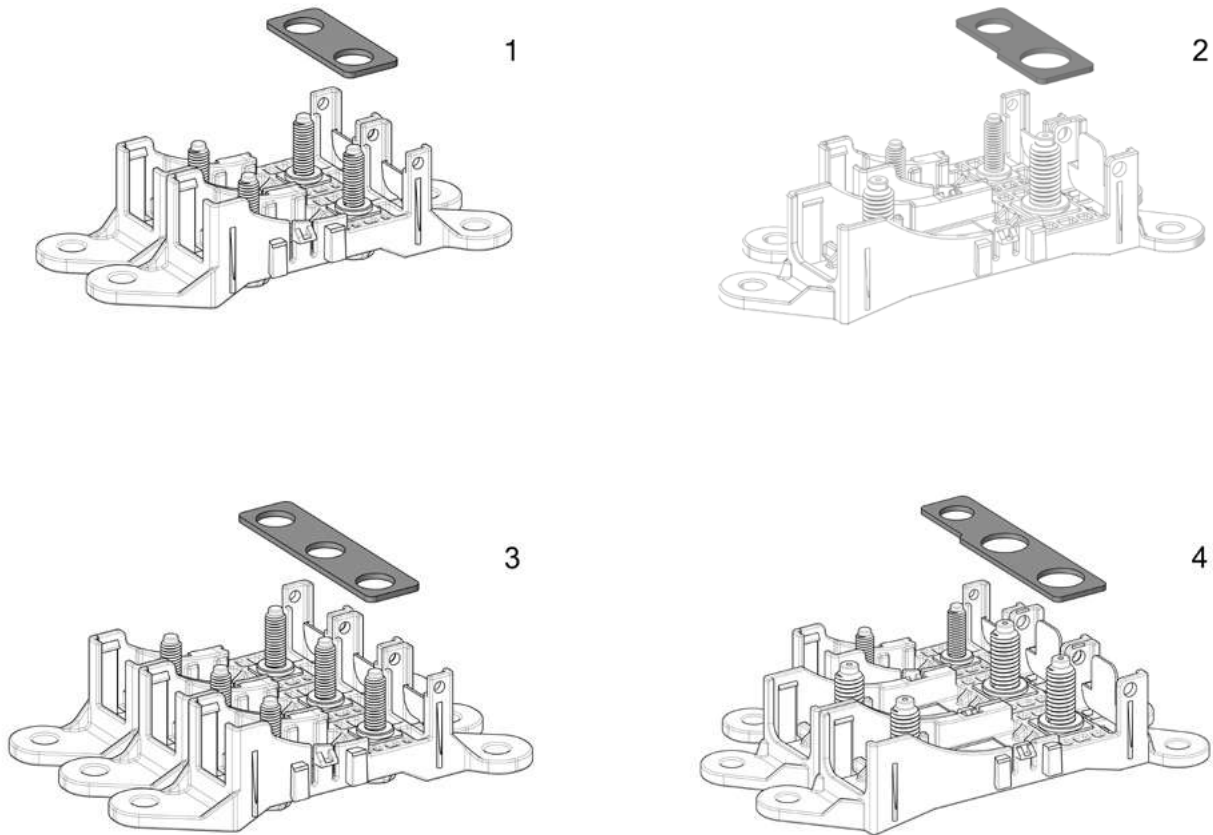


**CONNECTIONS AND FIXINGS**

IMG	1	1+2	2	2
	MIDI M5	TUBULAR	MEGA M8 POLA	MEGA M8 POLB

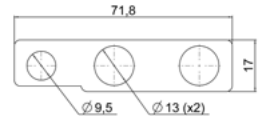
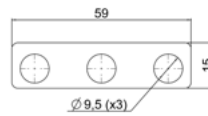
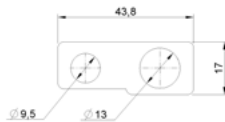
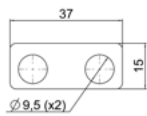


# BUS-BAR

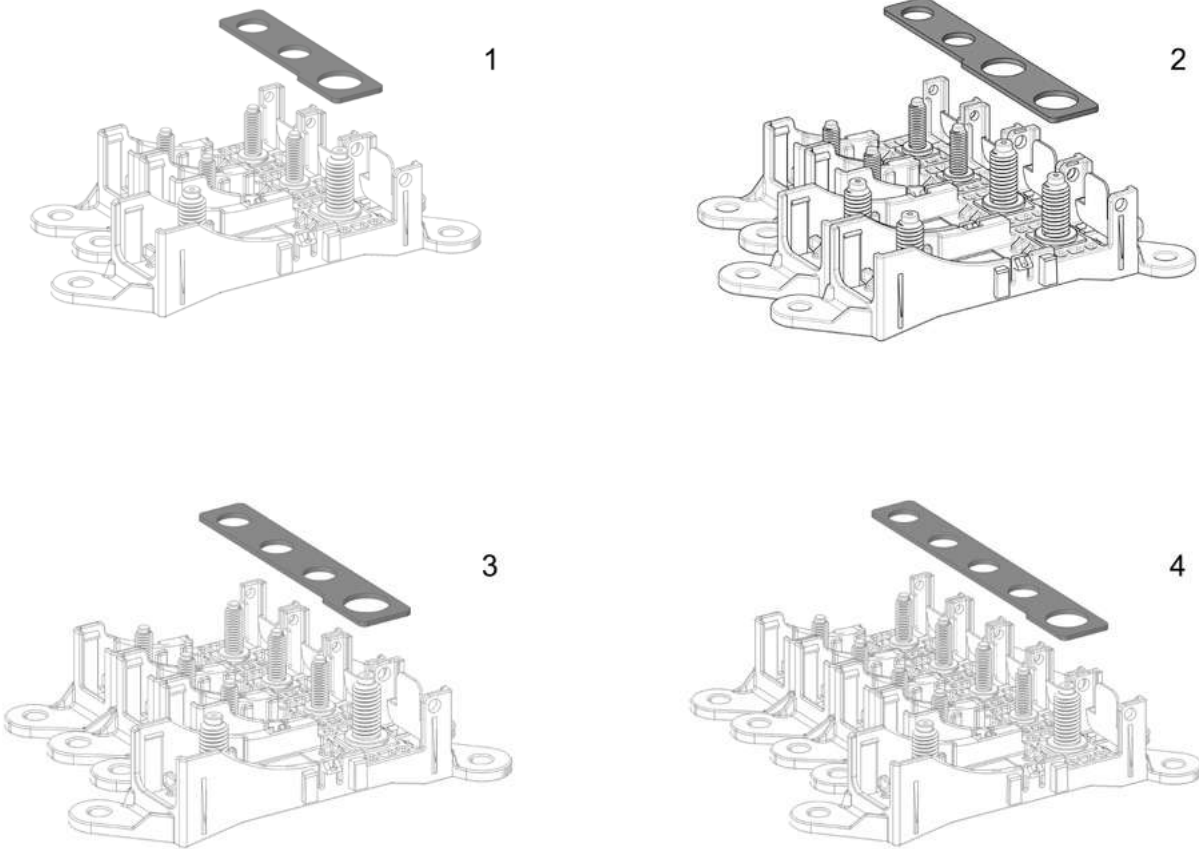


**NEW**

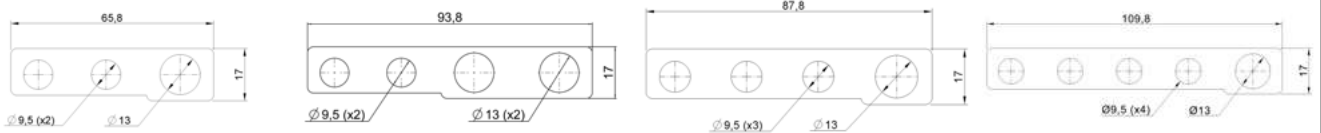
IMG	DESCRIPTION	MATERIAL	MATERIAL THICKNESS mm	P/N	M.O.Q.
1	2-WAY BUS-BAR 55 2 MIDIVAL	Cu-Sn	1,5	0301509	200
2	2-WAY BUS-BAR 58 1 MIDIVAL / 1 MEGAVAL	Cu-Sn	1,5	0301252	TBD
3	3-WAY BUS-BAR 555 3 MIDIVAL	Cu-Sn	1,5	0301508	100
4	3-WAY BUS-BAR 588 1 MIDIVAL /2 MEGAVAL	Cu-Sn	1,5	0301511	500



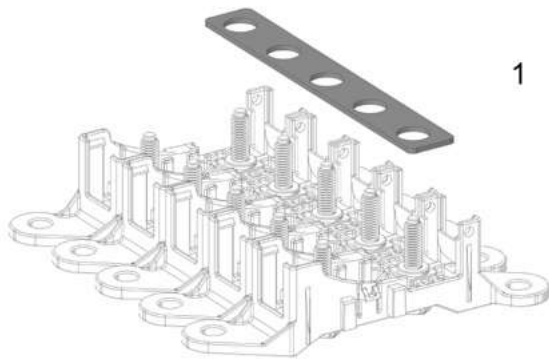
# BUS-BAR



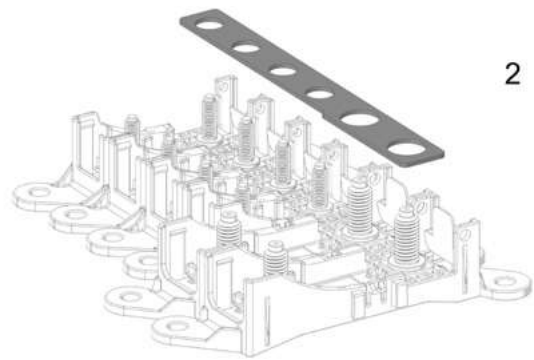
IMG	DESCRIPTION	MATERIAL	MATERIAL THICKNESS mm	P/N	M.O.Q.
<b>NEW</b> 1	3 WAY BUS-BAR 558 2 MIDIVAL / 1 MEGAVAL	Cu-Sn	1,5	0301251	TBD
2	4 WAY BUS-BAR 5588 2 MIDIVAL / 2 MEGAVAL	Cu-Sn	1,5	0301512	500
<b>NEW</b> 3	4 WAY BUS-BAR 5558 3 MIDIVAL / 1 MEGAVAL	Cu-Sn	1,5	0301250	TBD
<b>NEW</b> 4	5 WAY BUS-BAR 55558 4 MIDIVAL / 1 MEGAVAL	Cu-Sn	1,5	0301249	TBD



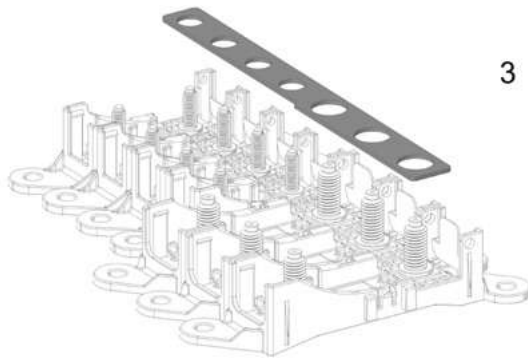
# BUS-BAR



1

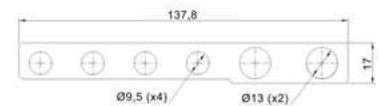
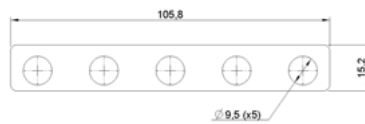
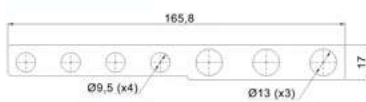


2

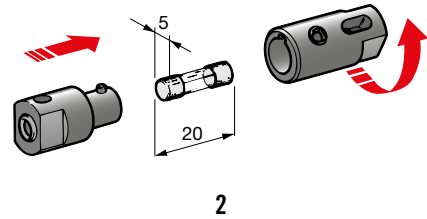
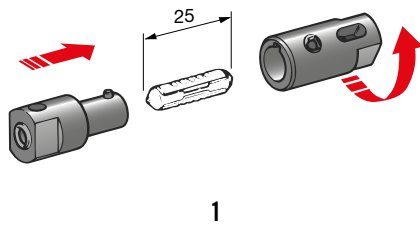


3

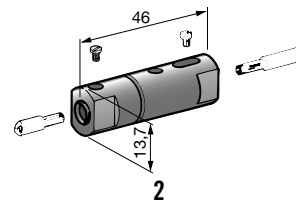
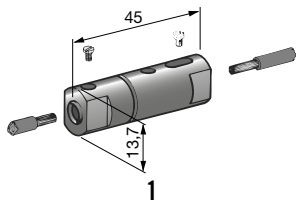
IMG	DESCRIPTION	MATERIAL	MATERIAL THICKNESS mm	P/N	M.O.Q.
<b>NEW</b>	1 5 WAY BUS-BAR 55555 5 MIDIVAL	Cu-Sn	1,5	0301227	TBD
<b>NEW</b>	2 6 WAY BUS-BAR 555588 4 MIDIVAL / 2 MEGAVAL	Cu-Sn	1,5	0301225	TBD
<b>NEW</b>	3 7 WAY BUS-BAR 5555888 4 MIDIVAL / 3 MEGAVAL	Cu-Sn	1,5	0301226	TBD



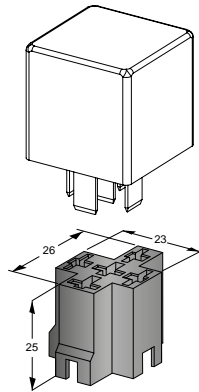
# GLASS & CONTINENTAL FUSE HOLDER



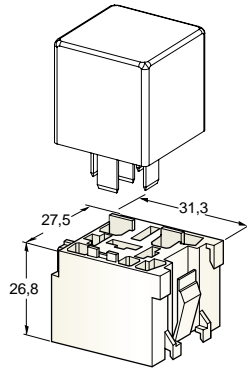
IMG	DESCRIPTION	COLOUR	CABLE	P/N BOX	M.O.Q.	P/N BULK	M.O.Q.
1	FUSEHOLDER WITH BLACK CONTINENTAL FUSE 8A	■ Black	0.25÷2	0100300	25	0300300	1000
2	FUSEHOLDER WITH GLASS FUSE 2A - 5X20 mm	■ Black	0.25÷2	0100306	25	0300306	1000



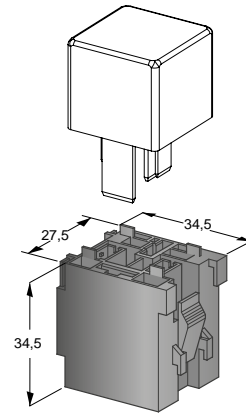
# RELAY HOLDER



1



2



3

IMG	DESCRIPTION	MATERIAL	COLOUR	P/N BOX	M.O.Q.	P/N BULK	M.O.Q.
1	MINI RELAY HOLDER	PA	■ Black	4410246	50		
2	MINI RELAY HOLDER	PA	□ Neutral	4410245	50	4510245	500
	KIT HOLDER + TERMINALS + FIXING PLATE			3050135	1		
3	MAXI RELAY HOLDER	PA	■ Black	4410247	50	4510247	250
	KIT HOLDER + TERMINALS + FIXING PLATE			3050136	1		

## CONNECTIONS AND FIXINGS

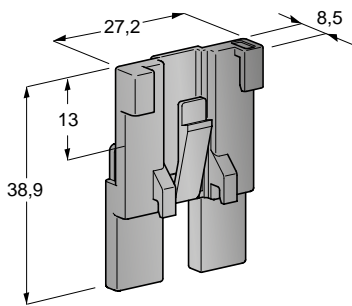
IMG	1	2+3	2+3	2+3	2	3	3
	F630	0100392	0100440	0100430	F630 W/LOCK.NOTCH	ANTISF F630	FASTON F950 W/LOCK.NOTCH



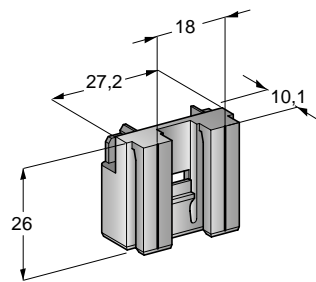
# ADAPTERS & FIXING PLATES



# ADAPTERS



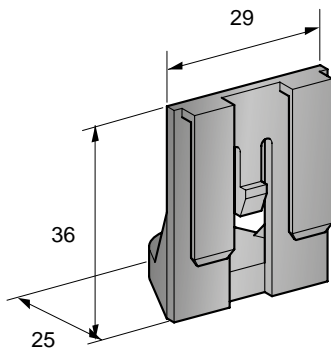
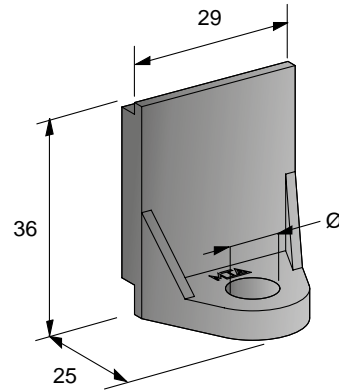
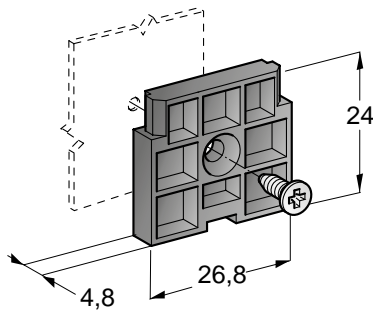
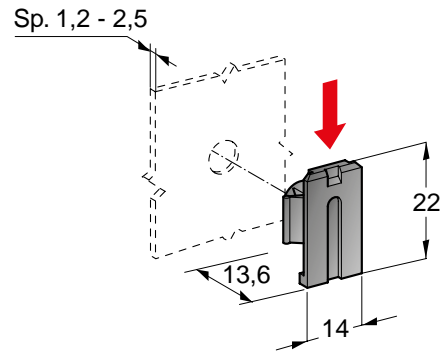
1



2

IMG	DESCRIPTION	MATERIAL	COLOUR		P/N BULK	M.O.Q.
1	ADAPTER	PA66 GF25	■ Black		0300856	1500
2	ADAPTER	PA66 GF25	■ Black		0300949	1500

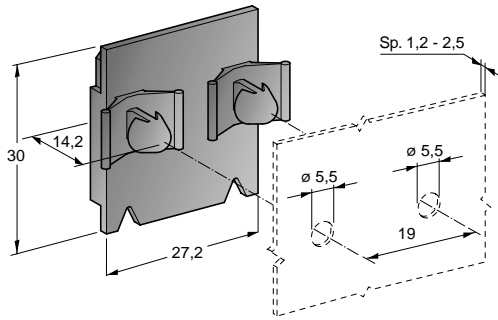
# FIXING PLATES


**1**

**2**

**3**

**4**

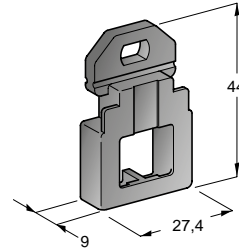
IMG	DESCRIPTION	∅ mm	MATERIAL	COLOUR	P/N BOX	M.O.Q.	P/N BULK	M.O.Q.
1	MOUNTING BRACKET MALE	8,5	PA66	■ Black			0300690	100
2	MOUNTING BRACKET FEMALE	8,5	PA66	■ Black			0300691	100
3	FIXING PLATE WITH 1 SCREW	3,6	PP GF30	■ Black	0100352	250	0300352	1000
4	FIXING PLATE BY PRESSURE	6,5	PA66	■ Black			0300395	1000
	FIXING PLATE BY PRESSURE	8,0	PA66	■ Black			0300398	1000



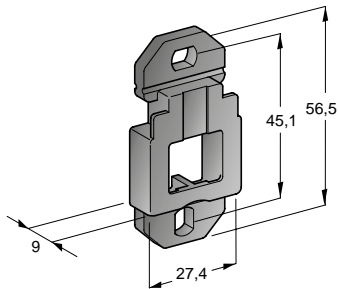
# FIXING PLATES



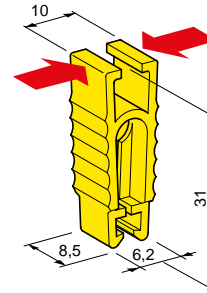
1



2



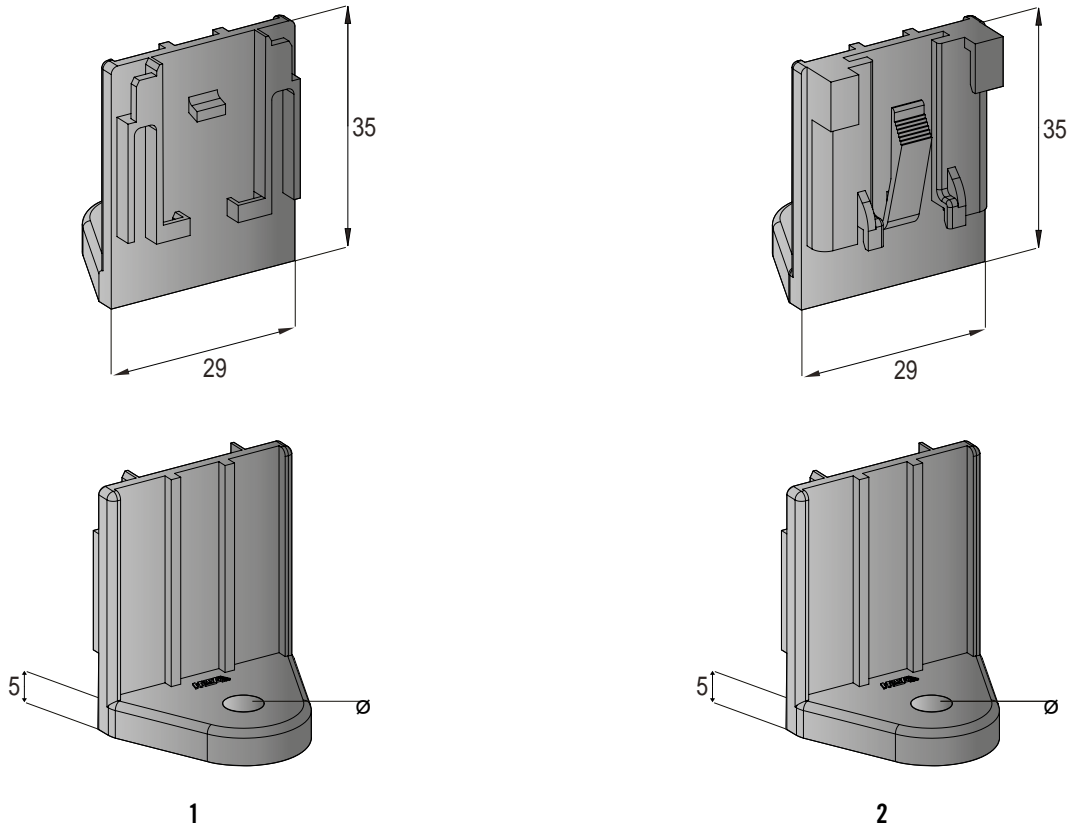
3



4

IMG	DESCRIPTION	SCREW Ø mm	MATERIAL	COLOUR	P/N BOX	M.O.Q.	P/N BULK	M.O.Q.
1	FIXING PLATE	5,5	PA66	■ Black	0100392	100	0300392	1000
2	FIXING PLATE	M 5	PA66	■ Black	0100430	100	0300430	1000
3	FIXING PLATE	M 5	PA66	■ Black	0100440	100	0300440	250
4	EXTRACTOR FOR BLADE FUSE		PP	■ Yellow	0100358	250	0300358	3000

# FIXING PLATES

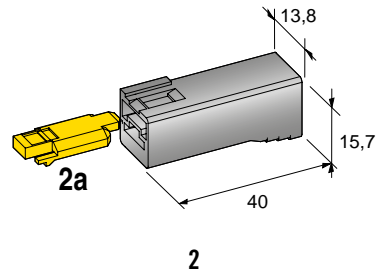
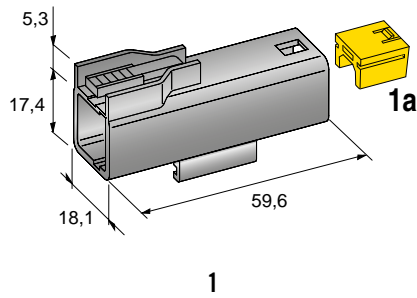


IMG	DESCRIPTION	∅ mm	MATERIAL	COLOUR		P/N BULK	M.O.Q.
1	MOUNTING BRACKET FEMALE	5,5	PA66	■ Black		0300698	100
2	MOUNTING BRACKET MALE	5,5	PA66	■ Black		0300697	100



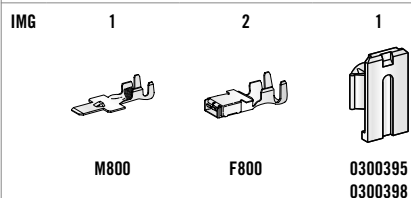
# CONNECTORS

# 1-WAY POWER

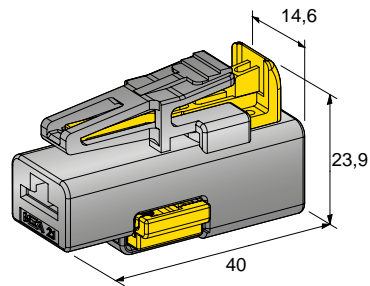


IMG	DESCRIPTION	WAY	MATERIAL	COLOUR	P/N BOX WITH S.LOCK	M.O.Q.	P/N BULK	M.O.Q.
1	MALE HOLDER	1	PA66 GF25	Black	4440200	20	4540205	1200
2	FEMALE HOLDER	1	PA66 GF25	Black	4440100	20	4540105	2400
1a	SECONDARY LOCK		PA66	Yellow			4545200	2400
2a	SECONDARY LOCK		PA66	Yellow			4545100	4800

CONNECTIONS AND FIXINGS



# 1-WAY POWER



1

IMG	DESCRIPTION	WAY	MATERIAL	COLOUR	P/N BULK	M.O.Q.
1	FEMALE HOLDER WITH SECONDARY LOCK AND CPA	1	PA66 GF30	■ Black	4540150	700

## CONNECTIONS AND FIXINGS



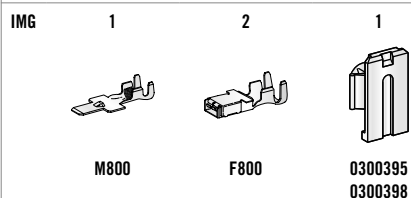
F800

# 2-WAY POWER

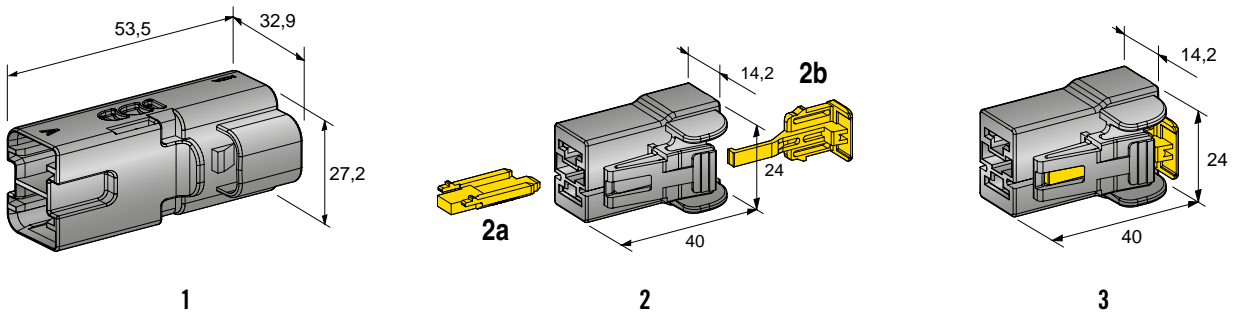


IMG	DESCRIPTION	WAY	MATERIAL	COLOUR	P/N BOX WITH S.LOCK	M.O.Q.	P/N BULK	M.O.Q.
1	MALE HOLDER	2	PA66 GF30	Black	4440400	10	4540405	1200
2	FEMALE HOLDER	2	PA66 GF30	Black	4440300	10	4540305	1200
1a	SECONDARY LOCK		PA66 GF30	Yellow			4545400	1200
2a	SECONDARY LOCK		PA66	Yellow			4545100	4800
2b	CPA		PA66 GF30	Yellow			4545300	2400

CONNECTIONS AND FIXINGS

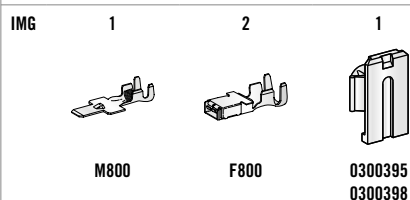


# 2-WAY POWER

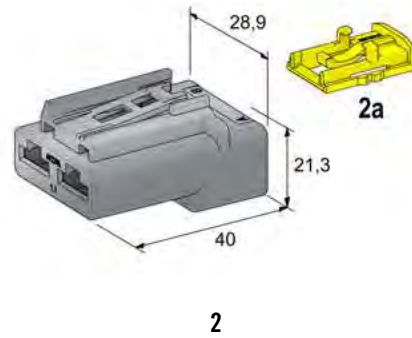
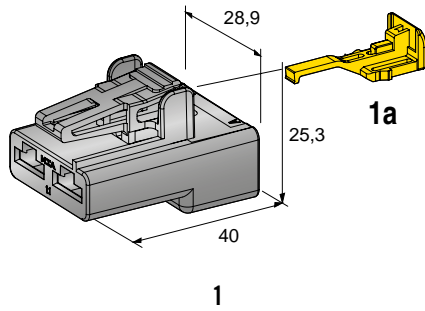


IMG	DESCRIPTION	WAY	MATERIAL	COLOUR	P/N BOX WITH S.LOCK	M.O.Q.	P/N BULK	M.O.Q.
1	MALE HOLDER POLARIZED	2	PA66 GF30	Blue			4540410	1200
	MALE HOLDER POLARIZED	2	PA66 GF30	Grey			4540420	1200
	MALE HOLDER POLARIZED	2	PA66 GF30	Green			4540430	1000
2	FEMALE HOLDER POLARIZED	2	PA66 GF30	Blue	4440310	10	4540315	1200
	FEMALE HOLDER POLARIZED	2	PA66 GF30	Grey	4440340	10	4540345	1200
	FEMALE HOLDER POLARIZED	2	PA66 GF30	Green			4540325	1200
3	FEMALE HOLDER POLARIZED WITH CPA	2	PA66 GF30	Blue			4540312	1200
2a	SECONDARY LOCK	2	PA66	Yellow			4545100	4800
2b	CPA	2	PA66 GF30	Yellow			4545300	2400

CONNECTIONS AND FIXINGS

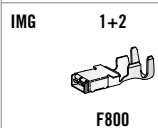


# 2-WAY POWER



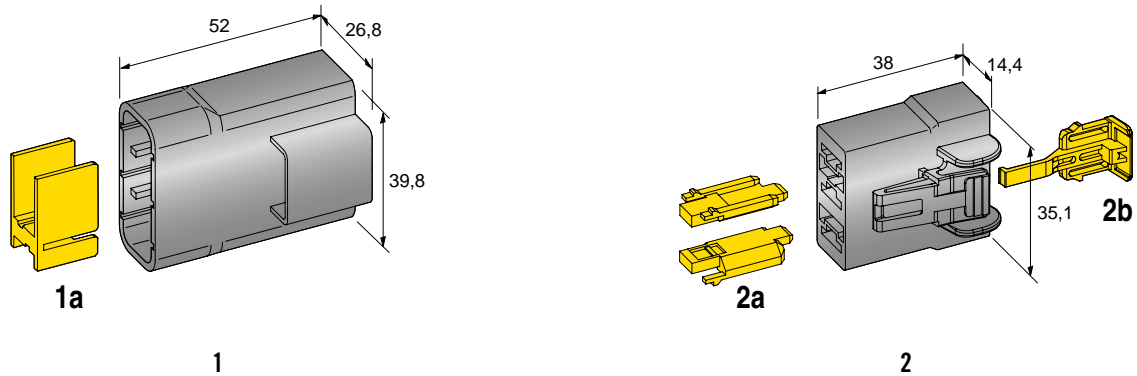
IMG	DESCRIPTION	WAY	MATERIAL	COLOUR		P/N BULK	M.O.Q.
1	FEMALE HOLDER POLARIZED	2	PA66 GF13	Blue		4540500	600
	FEMALE HOLDER POLARIZED	2	PA66 GF13	Green		4540501	600
1a	CPA		PA66 GF30	Yellow		4545300	2400
2	FEMALE HOLDER POLARIZED	2	PA66 GF13 HB	Blue		4540502	1200
	FEMALE HOLDER POLARIZED	2	PA66 GF13 HB	Green		4540503	1200
2a	CPA		PA66 GF30	Yellow		4540303	8000

**CONNECTIONS AND FIXINGS**





# 3-WAY POWER

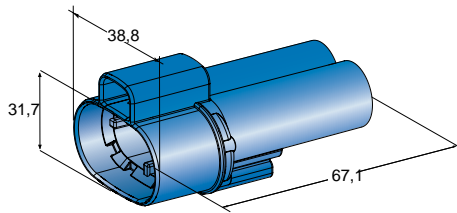


IMG	DESCRIPTION	WAY	MATERIAL	COLOUR	P/N BULK	M.O.Q.
1	MALE HOLDER	3	PA66 GF25	Black	4540805	1200
2	FEMALE HOLDER	3	PA66 GF30	Black	4540705	1200
	FEMALE HOLDER POLARIZED	3	PA66 GF30	Blue	4540715	1200
	FEMALE HOLDER POLARIZED	3	PA66 GF30	Grey	4540735	1200
1a	SECONDARY LOCK		PA66 GF30	Yellow	4545800	1200
2a	SECONDARY LOCK		PA66	Yellow	4545100	4800
2b	CPA		PA66 GF30	Yellow	4545300	2400

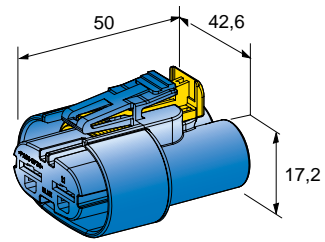
## CONNECTIONS AND FIXINGS

IMG	1	2	1
	M800	F800	0300395 0300398

# 2-WAY POWER WATER PROOF



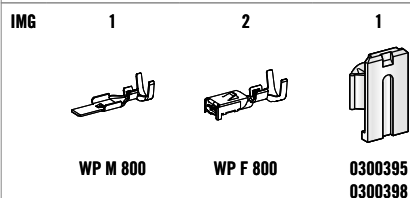
1



2

IMG	DESCRIPTION	WAY	MATERIAL	COLOUR		P/N BULK	M.O.Q.
1	MALE HOLDER	2	PA66 GF30	Blue		4540210	600
	MALE HOLDER	2	PA66 GF30	Green		4540211	700
	MALE HOLDER	2	PA66 GF30	Black		4540212	600
2	FEMALE HOLDER WITH GASKET	2	PA66 GF30	Blue		4540110	500
	FEMALE HOLDER WITH GASKET	2	PA66 GF30	Green		4540111	500
	FEMALE HOLDER WITH GASKET	2	PA66 GF30	Black		4540112	500

**CONNECTIONS AND FIXINGS**



## 2, 3, 4 - WAY POWER WATER PROOF

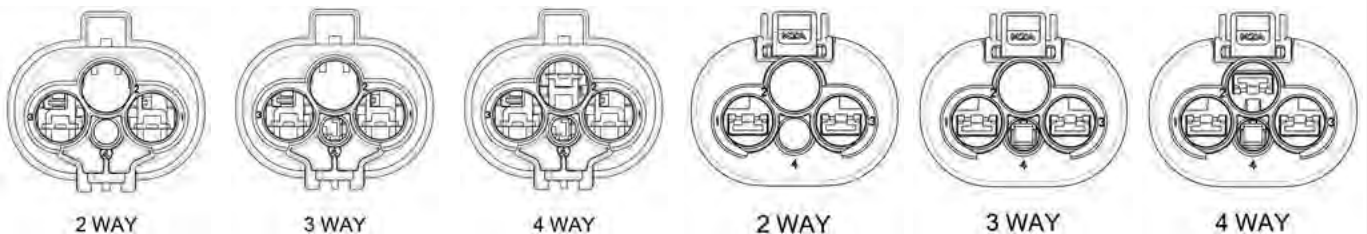


1



2

IMG	DESCRIPTION	WAY	MATERIAL	COLOUR		P/N BULK	M.O.Q.
1	MALE HOLDER	2	PA66 GF30	■ Black		4551900	500
	MALE HOLDER	3	PA66 GF30	■ Black		4540817	500
	MALE HOLDER	4	PA66 GF30	■ Black		4551899	500
2	FEMALE HOLDER WITH GASKET	2	PA66 GF30	■ Black		4551898	500
	FEMALE HOLDER WITH GASKET	3	PA66 GF30	■ Black		4540816	500
	FEMALE HOLDER WITH GASKET	4	PA66 GF30	■ Black		4551897	500



2 WAY

3 WAY

4 WAY

2 WAY

3 WAY

4 WAY

### CONNECTIONS AND FIXINGS

IMG 1 (2-3-4 - WAY)



M630 WP

1 (3-4 - WAY)



JPT WP M280

2 (2-3-4 - WAY)



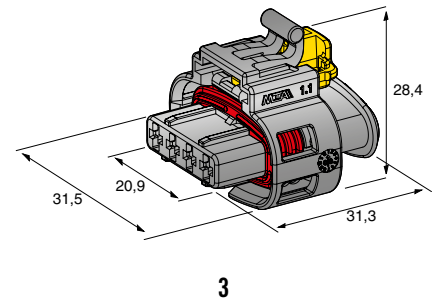
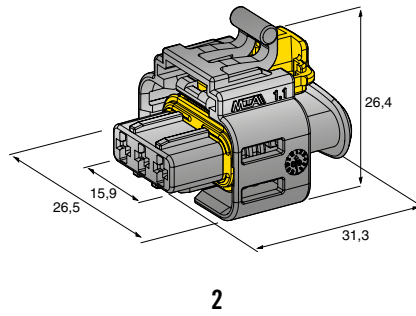
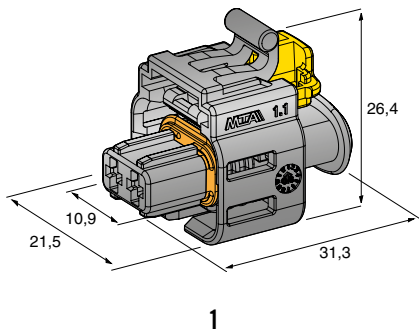
F630E WP

2 (3-4 - WAY)

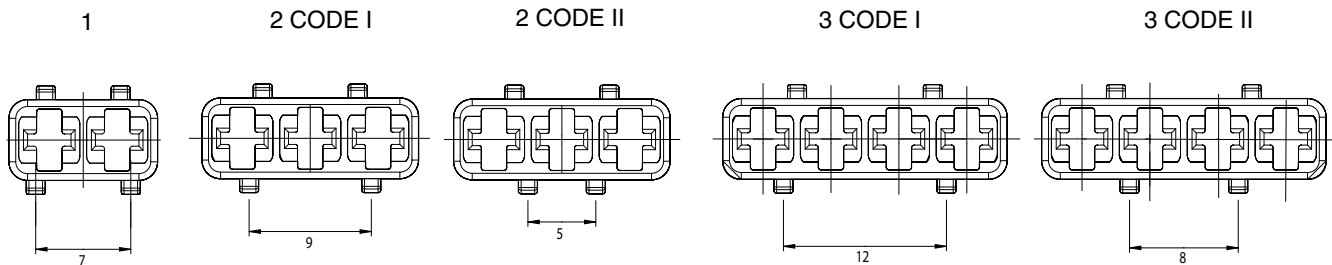


F280 WP

# HP6 2,3 & 4-WAY



IMG	DESCRIPTION	WAY	MATERIAL	COLOUR	P/N BULK	M.O.Q.
1	FEMALE HOLDER	2	PA66 GF30	■ Black	4510840	2500
2	FEMALE HOLDER CODE I	3	PA66 GF30	■ Black	4510881	2000
	FEMALE HOLDER CODE II	3	PA66 GF30	■ Black	4510880	2000
3	FEMALE HOLDER CODE I	4	PA66 GF30	■ Black	4510891	1600
	FEMALE HOLDER CODE II	4	PA66 GF30	■ Black	4510890	1600



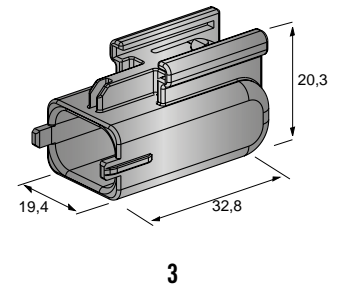
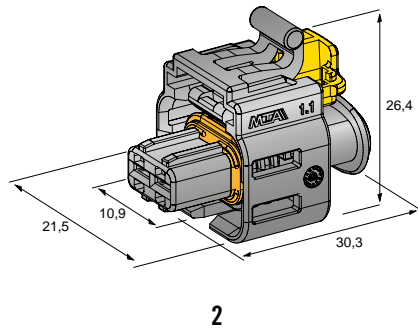
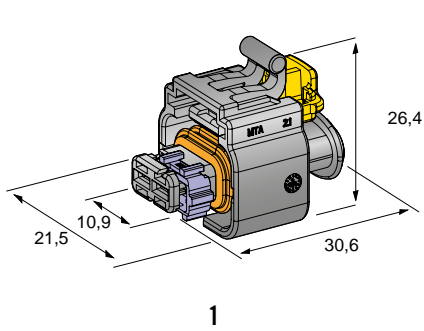
**CONNECTIONS AND FIXINGS**

IMG 1+2+3

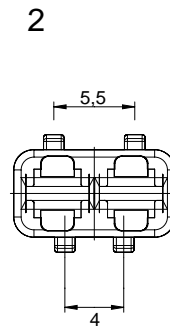
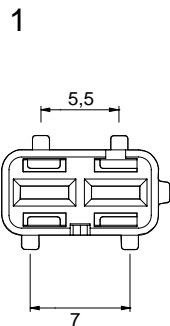


HP6 280

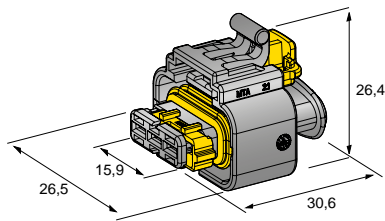
# C 280 2-WAY



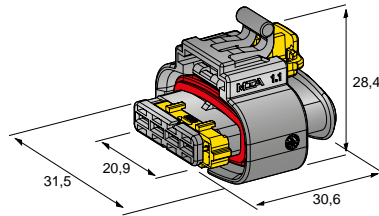
IMG	DESCRIPTION	WAY	MATERIAL	COLOUR	S.LOCK COLOUR	P/N BULK	M.O.Q.
1	F. HOLDER FOR BDK & BSK TERMINALS	2	PA66 GF30	■ Black	■ Violet	4510801	2500
2	F. HOLDER FOR JPT TERMINALS	2	PA66 GF30	■ Black		4510830	2500
3	CAP FOR CONNECTORS 4510801/830	2	PA66 GF30	■ Black		4510802	3000



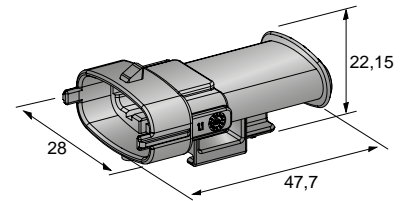
# C 280 3&4-WAY



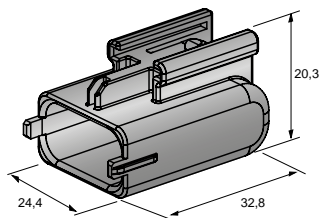
1



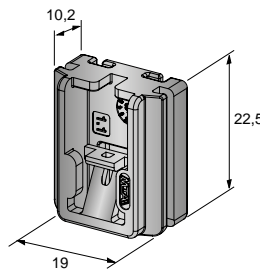
2



3



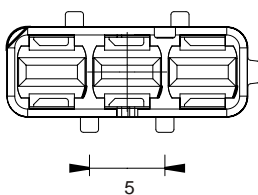
4



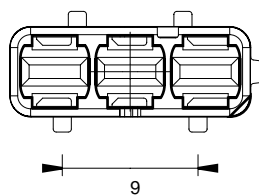
5

IMG	DESCRIPTION	WAY	MATERIAL	COLOUR	S.LOCK COLOUR	P/N BULK	M.O.Q.
1	F. HOLDER FOR BDK & BSK TERMINALS	3	PA66 GF30	■ Black	■ Yellow	4510810	2000
	F. HOLDER FOR BDK & BSK TERMINALS	3	PA66 GF30	■ Black	■ Violet	4510811	2000
2	F. HOLDER FOR BDK & BSK TERMINALS	4	PA66 GF30	■ Black	■ Yellow	4510820	1600
	F. HOLDER FOR BDK & BSK TERMINALS	4	PA66 GF30	■ Black	■ Violet	4510821	1600
3	MALE HOLDER FOR 4510821	4	PA66 GF30	■ Black		4510921	2000
4	CAP FOR CONNECTORS 4510810/811	3	PA66 GF30	■ Black		4510812	2800
5	ADAPTER FOR 4510921		PA66 GF30	■ Black		0300489	2500

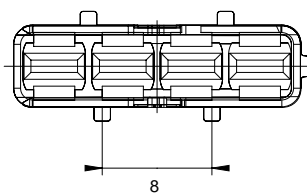
1 YELLOW



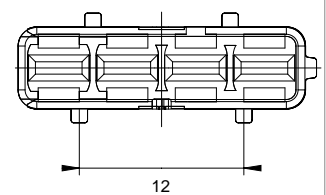
1 VIOLET



2 YELLOW



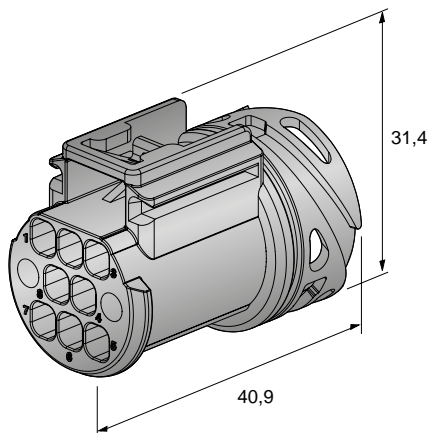
2 VIOLET



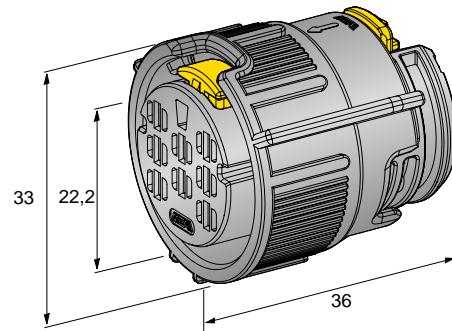
CONNECTIONS AND FIXINGS

IMG	3
	0300489

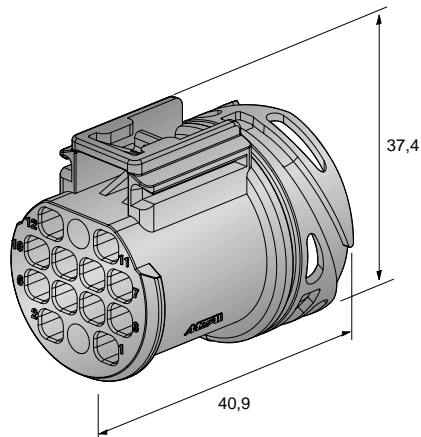
## RC 280 8 & 12-WAY



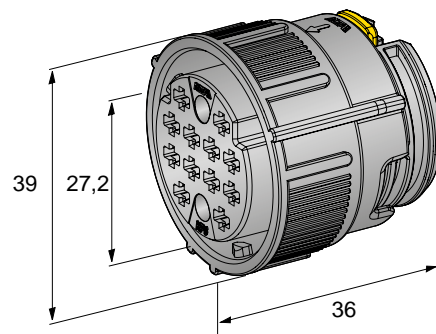
1



2



3



4

IMG	DESCRIPTION	WAY	MATERIAL	COLOUR	P/N BULK	M.O.Q.
1	MALE HOLDER FOR TABS 2,8 x 0,8	8	PA66 GF30	■ Black	4510970	500
2	FEMALE HOLDER FOR BDK & BSK TERMINALS	8	PA66 GF30	■ Black	4510870	120
3	MALE HOLDER FOR TABS 2,8 x 0,8	12	PA66 GF30	■ Black	4510975	350
4	FEMALE HOLDER FOR HP6 TERMINALS	12	PA66 GF30	■ Black	4510875	350

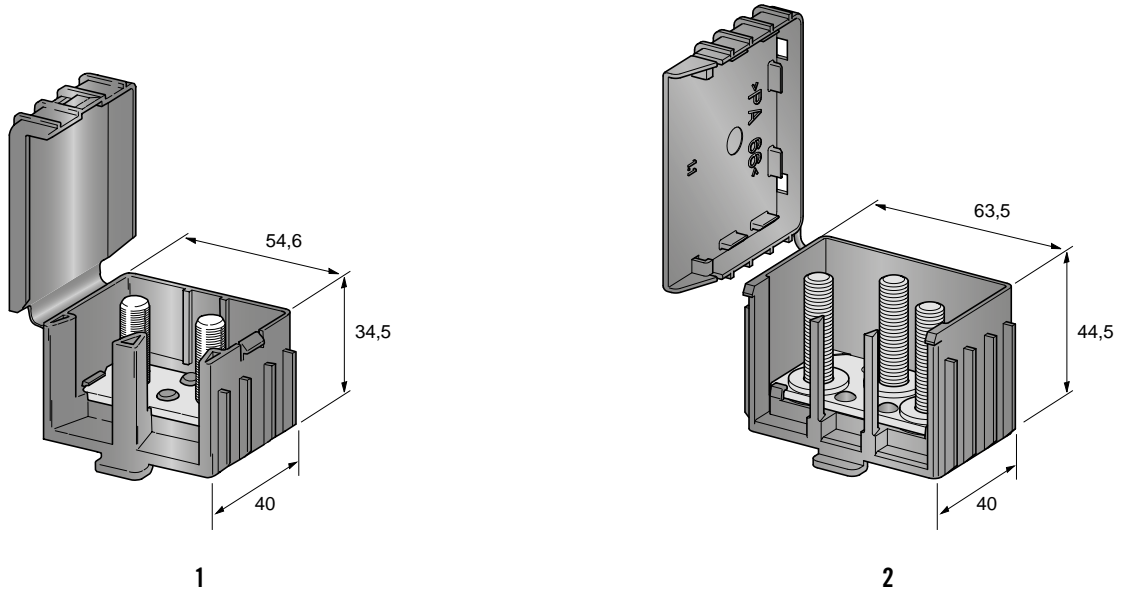
### CONNECTIONS AND FIXINGS

IMG 4



HP6 280

# JOINT

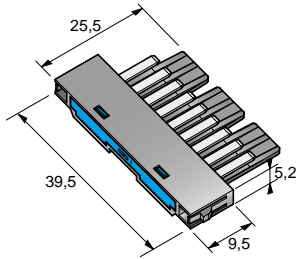


IMG	DESCRIPTION	SCREW	WAY	MATERIAL	COLOUR	P/N BOX	M.O.Q.	P/N BULK	M.O.Q.
1	BRANCH KNOT M 88	M 88	2	PA66	■ Black	4441100	1	4541100	100
2	BRANCH KNOT M 888	M 888	3	PA66	■ Black	4441200	1	4541200	100
	BRANCH KNOT M 666	M 666	3	PA66	■ Black			4541202	100
	BRANCH KNOT M 555	M 555	3	PA66	■ Black			4541201	100

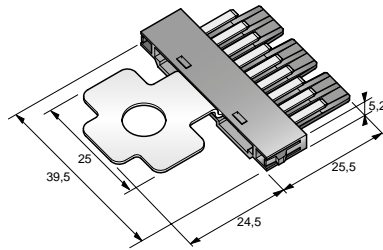
BULK PACKAGING SUPPLIED WITHOUT NUTS



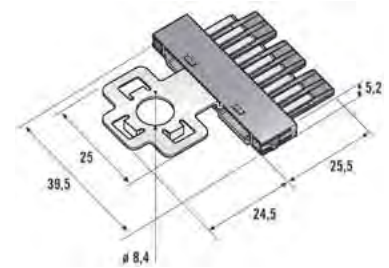
# JOINT 9-WAY



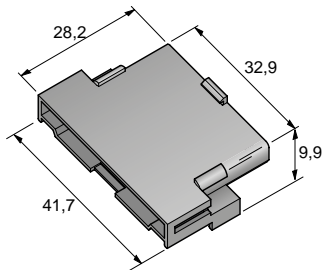
1



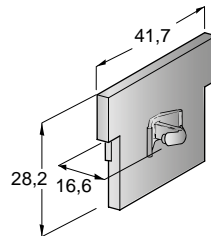
2



3



4



5

IMG	DESCRIPTION	WAY	MATERIAL	COLOUR	COVER COLOUR	P/N BOX	M.O.Q.	P/N BULK	M.O.Q.
1	MALE HOLDER	9	PA66 GF13	■ Black	■ Blue	4410610	10	4551610	2500
	MALE HOLDER	6+3	PA66 GF13	■ Black	■ Yellow			4551611	2500
	MALE HOLDER	5+4	PA66 GF13	■ Black	■ Red			4551612	2500
	MALE HOLDER	3+3+3	PA66 GF13	■ Black	■ Green			4551613	2500
2	EARTH MALE HOLDER	9	PA66 GF13	■ Black				4551614	2000
	EARTH MALE HOLDER TCK 12S	9	PA66 GF13	■ Black				4551615	2000
4	FEMALE HOLDER	9	PBT	■ Black		4410605	10	4551605	2500
	FEMALE HOLDER	9	PBT	■ Blue				4551606	2500
	FEMALE HOLDER	9	PBT	■ Green				4551607	2500
5	FIXING PLATE		PA66	■ Black				0300397	1000

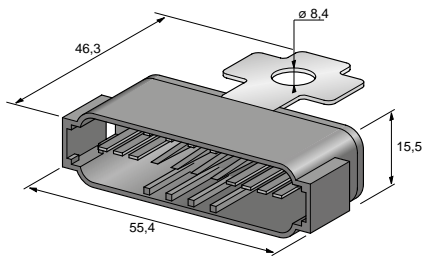
## CONNECTIONS AND FIXINGS

IMG 4

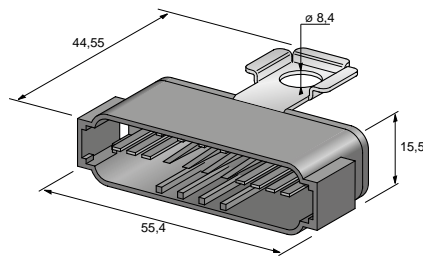


070 SERIES

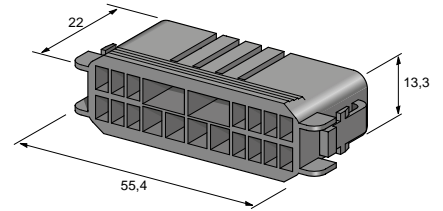
# JOINT 18-WAY



1



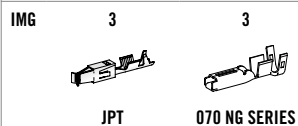
2



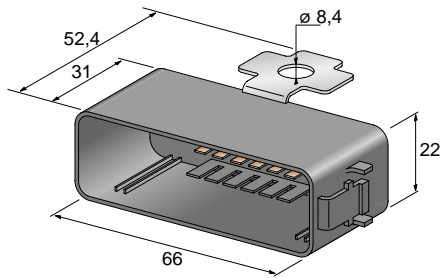
3

IMG	DESCRIPTION	WAY	MATERIAL	COLOUR	P/N BULK	M.O.Q.
1	EARTH MALE HOLDER	18	PA66 GF30	■ Black	4510125	300
2	EARTH MALE HOLDER TCK 12S	18	PA66 GF30	■ Black	4510135	300
3	FEMALE HOLDER	18	PA66 GF30	■ Black	4510120	1500

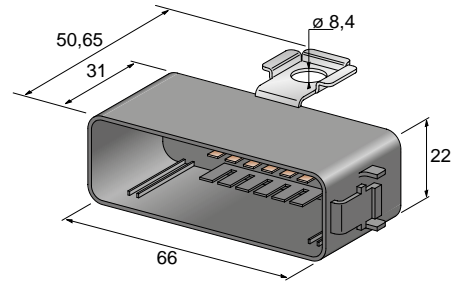
**CONNECTIONS AND FIXINGS**



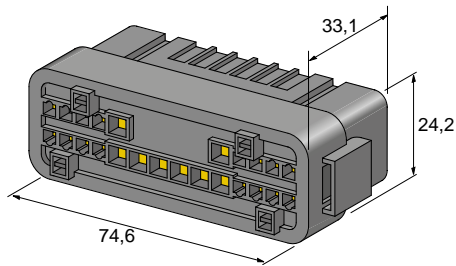
# JOINT 24-WAY



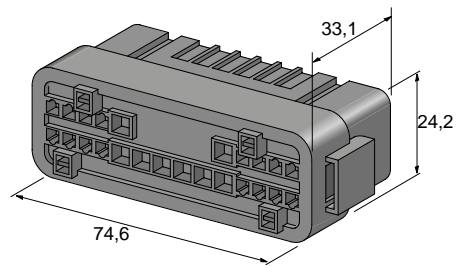
1



2



3



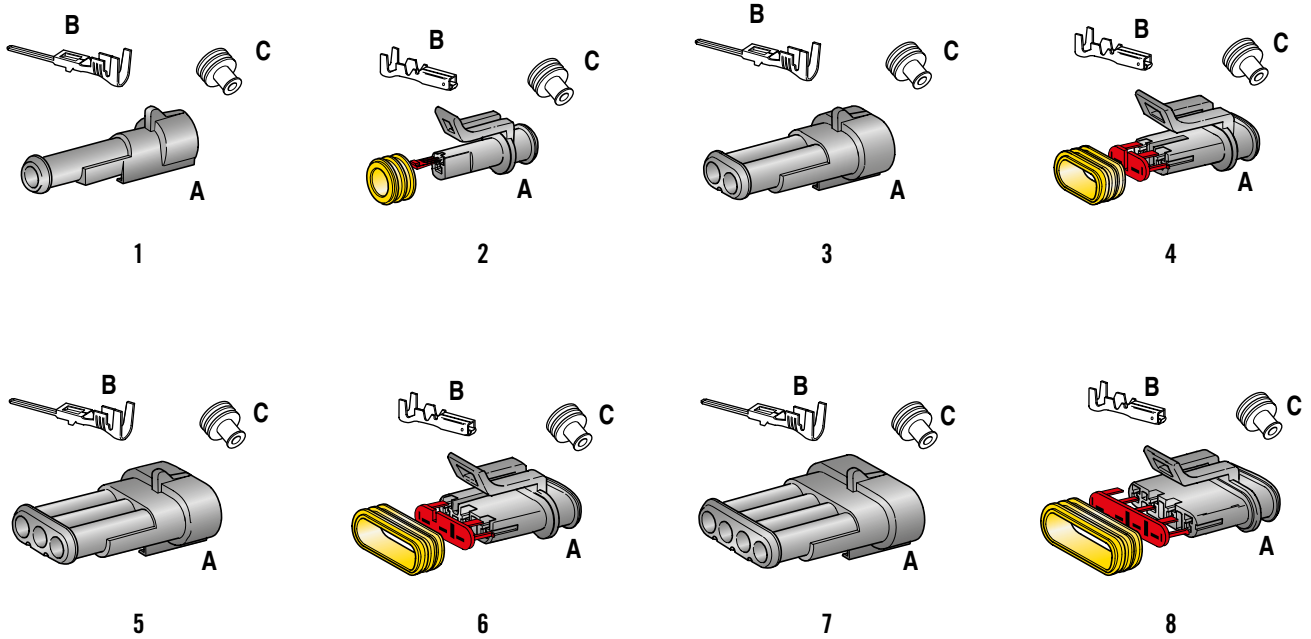
4

IMG	DESCRIPTION	WAY	MATERIAL	COLOUR		P/N BULK	M.O.Q.
1	EARTH MALE HOLDER W.P.	24	PA66 GF30	■ Black		4510115	600
2	EARTH MALE HOLDER TCK 12S	24	PA66 GF30	■ Black		4510130	600
3	FEMALE HOLDER W.P.	24	PA66 GF30	■ Black		4510110	400
4	FEMALE HOLDER	24	PA66 GF30	■ Black		4510145	600

## CONNECTIONS AND FIXINGS

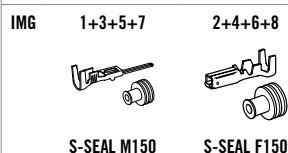
IMG	3+4	3+4
SICMA	CARALARM	

# SUPERSEAL 1,5

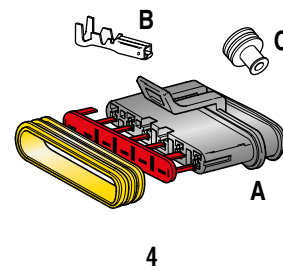
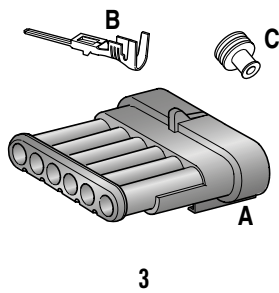
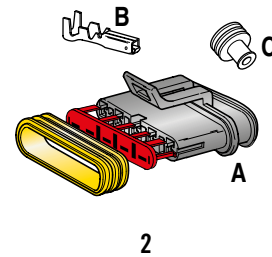
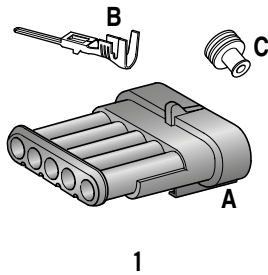


IMG	DESCRIPTION	WAY	MATERIAL	COLOUR	P/N BOX	M.O.Q.
1	S-SEAL 1,5 MALE HOLDER	1	PA 66	■ Black	4423610	10
	KIT A+B+C	1	PA 66		3050123	1
2	S-SEAL 1,5 FEMALE HOLDER	1	PA 66	■ Black	4423620	10
	KIT A+B+C	1	PA 66		3050124	1
3	S-SEAL 1,5 MALE HOLDER	2	PA 66	■ Black	4423630	10
	KIT A+B+C	2	PA 66		3050125	1
4	S-SEAL 1,5 FEMALE HOLDER	2	PA 66	■ Black	4423640	10
	KIT A+B+C	2	PA 66		3050126	1
5	S-SEAL 1,5 MALE HOLDER	3	PA 66	■ Black	4423650	10
	KIT A+B+C	3	PA 66		3050127	1
6	S-SEAL 1,5 FEMALE HOLDER	3	PA 66	■ Black	4423660	10
	KIT A+B+C	3	PA 66		3050128	1
7	S-SEAL 1,5 MALE HOLDER	4	PA 66	■ Black	4423670	10
	KIT A+B+C	4	PA 66		3050129	1
8	S-SEAL 1,5 FEMALE HOLDER	4	PA 66	■ Black	4423680	10
	KIT A+B+C	4	PA 66		3050130	1

**CONNECTIONS AND FIXINGS**

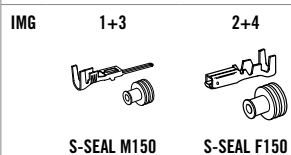


# SUPERSEAL 1,5

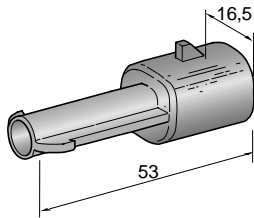


IMG	DESCRIPTION	WAY	MATERIAL	COLOUR	P/N BOX	M.O.Q.
1	S-SEAL 1,5 MALE HOLDER	5	PA 66	■ Black	4423690	10
	KIT A+B+C	5	PA 66		3050131	1
2	S-SEAL 1,5 FEMALE HOLDER	5	PA 66	■ Black	4423700	10
	KIT A+B+C	5	PA 66		3050132	1
3	S-SEAL 1,5 MALE HOLDER	6	PA 66	■ Black	4423710	10
	KIT A+B+C	6	PA 66		3050133	1
4	S-SEAL 1,5 FEMALE HOLDER	6	PA 66	■ Black	4423720	10
	KIT A+B+C	6	PA 66		3050134	1

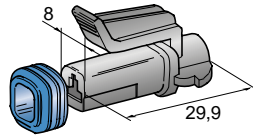
## CONNECTIONS AND FIXINGS



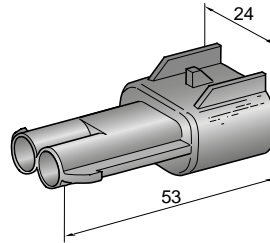
# SEAL 2,8 & 6,3



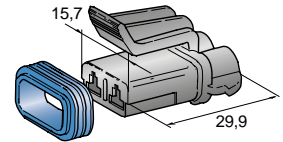
1



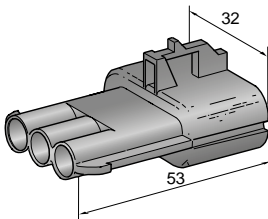
2



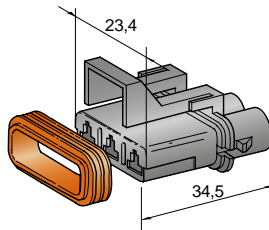
3



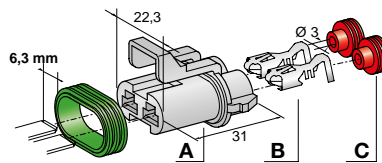
4



5



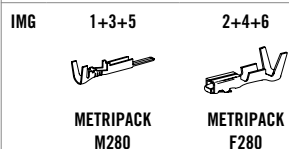
6



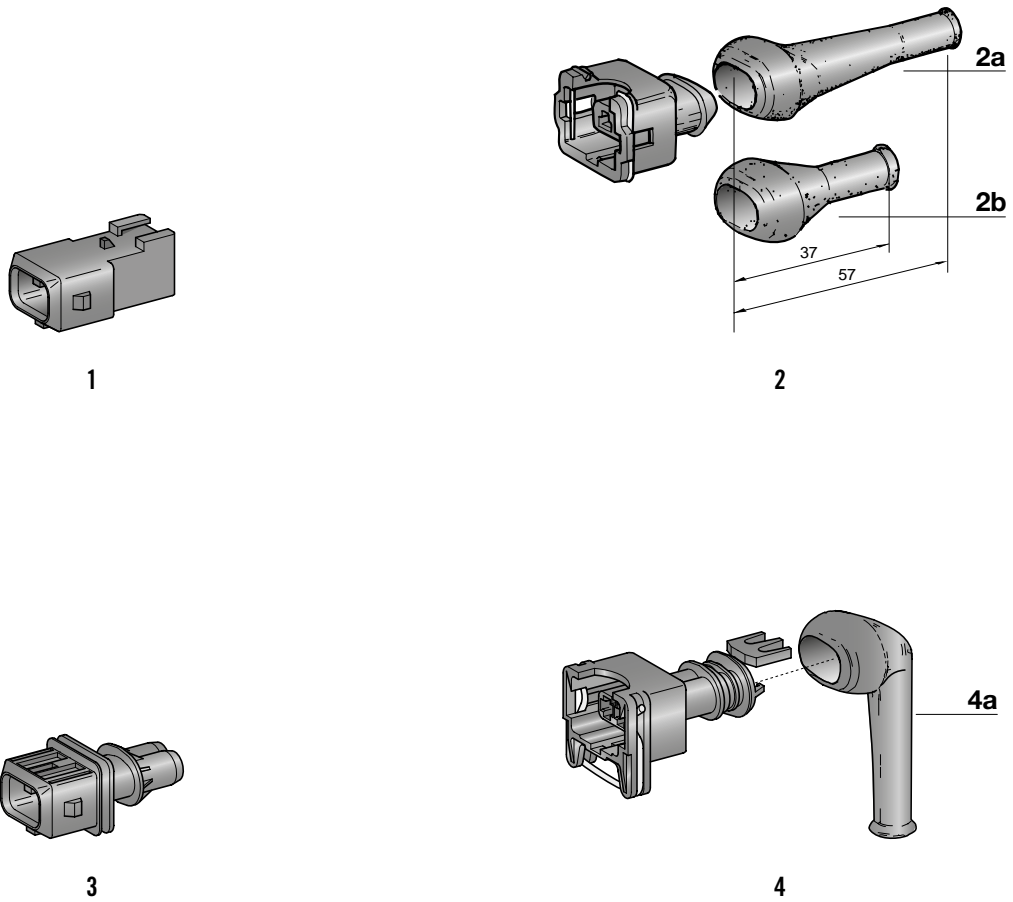
7

IMG	DESCRIPTION	WAY	MATERIAL	COLOUR	P/N BOX	M.O.Q.
1	SEAL 2,8 MALE HOLDER	1	PA 66	■ Black	4423520	5
2	SEAL 2,8 FEMALE HOLDER	1	PA 66	■ Black	4423510	5
3	SEAL 2,8 MALE HOLDER	2	PA 66	■ Black	4423540	5
4	SEAL 2,8 FEMALE HOLDER	2	PA 66	■ Black	4423530	5
5	SEAL 2,8 MALE HOLDER	3	PA 66	■ Black	4423560	5
6	SEAL 2,8 FEMALE HOLDER	3	PA 66	■ Black	4423550	5
7	KIT SEAL 6,3 FEMALE HOLDER WITH TERMINALS AND GASKET	2	PA 66	■ Black	4433800	1

CONNECTIONS AND FIXINGS

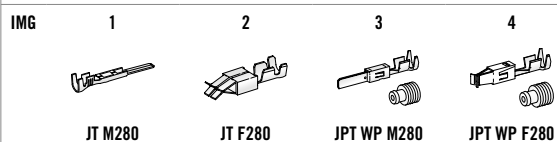


# J.T. & J.P.T.

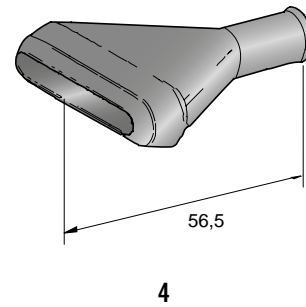
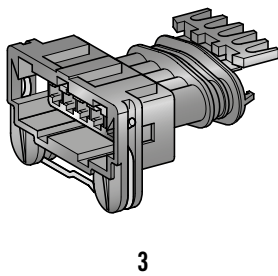
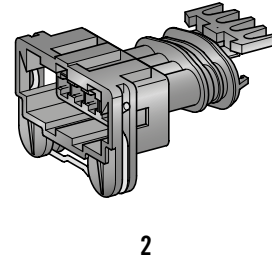
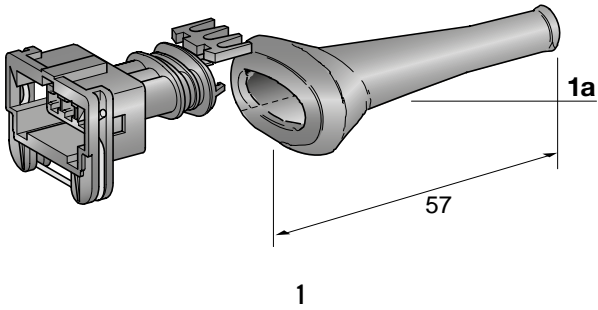


IMG	DESCRIPTION	WAY	MATERIAL	COLOUR	P/N BOX	M.O.Q.	P/N BULK	M.O.Q.
1	CONNECTOR JT	2	PA	■ Black	4410660	10		
2	CONNECTOR JT	2	PA	■ Black	4420900	10	4520900	500
2a	COVER		RUBBER	■ Black	4420901	10	4520901	500
2b	COVER		RUBBER	■ Black	4420902	10	4520902	500
3	CONNECTOR JPT	2	PA	■ Black	4410661	10		
4	CONNECTOR JPT	2	PA	■ Black	4420910	10	4520910	500
4a	COVER		RUBBER	■ Black	4420911	10	4520911	500

**CONNECTIONS AND FIXINGS**



# J.T.& J.P.T.



IMG	DESCRIPTION	WAY	MATERIAL	COLOUR	P/N BOX	M.O.Q.	P/N BULK	M.O.Q.
1	CONNECTOR JPT	3	PA	■ Black	4420920	10		
1a	COVER		RUBBER	■ Black	4420921	10	4520921	500
2	CONNECTOR JPT	4	PA	■ Black	4410655	10		
3	CONNECTOR JPT	5	PA	■ Black	4410656	10		
4	COVER	7	RUBBER	■ Black	4420931	5	4520931	500

**CONNECTIONS AND FIXINGS**

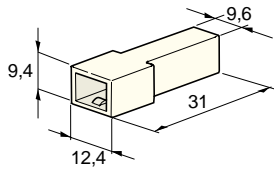
IMG 1+2+3



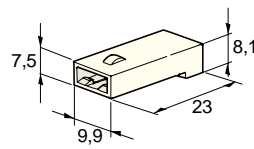
JPT WP F280



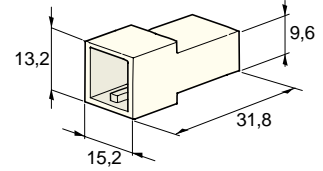
# MULTIPLE 6,3



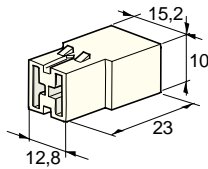
1



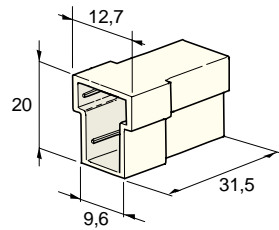
2



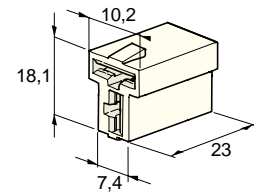
3



4



5



6

IMG	DESCRIPTION	WAY	MATERIAL	COLOUR	P/N BOX	M.O.Q.	P/N BULK	M.O.Q.
1	MALE HOLDER	1	PA	<input type="checkbox"/> Neutral	4410150	100	4510150	2500
2	FEMALE HOLDER	1	PA	<input type="checkbox"/> Neutral	4410160	100	4510160	2500
3	MALE HOLDER	2	PA	<input type="checkbox"/> Neutral	4410170	50	4510170	2500
4	FEMALE HOLDER	2	PA	<input type="checkbox"/> Neutral	4410180	50	4510180	2500
5	MALE HOLDER	2	PA	<input type="checkbox"/> Neutral	4410190	50	4510190	2500
6	FEMALE HOLDER	2	PA	<input type="checkbox"/> Neutral	4410200	50	4510200	2500

## CONNECTIONS AND FIXINGS

IMG 1+3+5 2+4+6

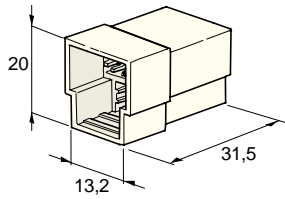


FASTON M630  
W/LOCK.NOTCH

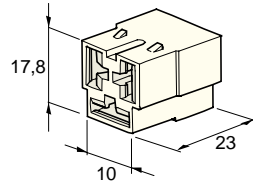


FASTON F630  
W/LOCK.NOTCH

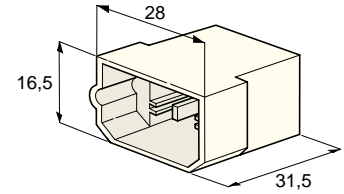
# MULTIPLE 6,3



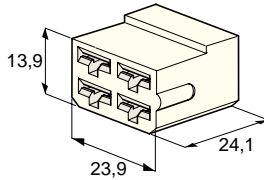
1



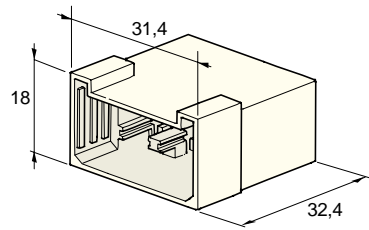
2



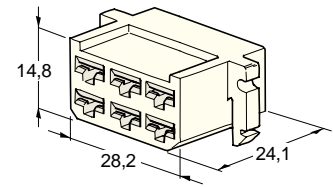
3



4



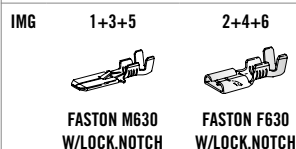
5



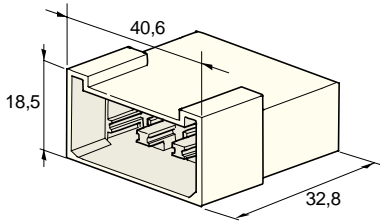
6

IMG	DESCRIPTION	WAY	MATERIAL	COLOUR	P/N BOX	M.O.Q.	P/N BULK	M.O.Q.
1	MALE HOLDER	3	PA	<input type="checkbox"/> Neutral	4410210	50	4510210	2500
2	FEMALE HOLDER	3	PA	<input type="checkbox"/> Neutral	4410220	50	4510220	2500
3	MALE HOLDER	4	PA	<input type="checkbox"/> Neutral	4410230	25	4510230	2500
4	FEMALE HOLDER	4	PA	<input type="checkbox"/> Neutral	4410240	25	4510240	2500
5	MALE HOLDER	6	PA	<input type="checkbox"/> Neutral	4410250	25	4510250	1000
6	FEMALE HOLDER	6	PA	<input type="checkbox"/> Neutral	4410260	25	4510260	1000

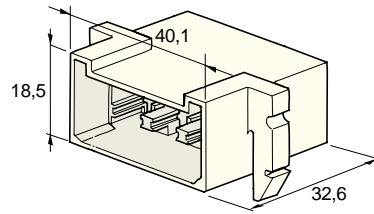
**CONNECTIONS AND FIXINGS**



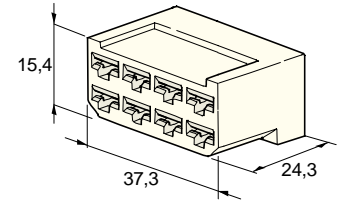
# MULTIPLE 6,3



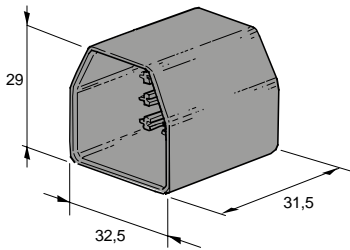
1



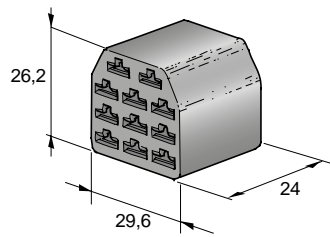
2



3



4



5

IMG	DESCRIPTION	WAY	MATERIAL	COLOUR	P/N BOX	M.O.Q.	P/N BULK	M.O.Q.
1	MALE HOLDER	8	PA	☐ Neutral	4410270	20	4510270	1000
2	MALE HOLDER	8	PA	☐ Neutral	4410290	10	4510290	1000
3	FEMALE HOLDER	8	PA	☐ Neutral	4410280	20	4510280	1000
4	MALE HOLDER	11	PA	■ Black	4410295	20	4510295	150
5	FEMALE HOLDER	11	PA	■ Black	4410296	20	4510296	250

## CONNECTIONS AND FIXINGS

IMG

1+2+4

3+5

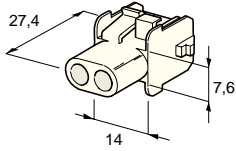


FASTON M630  
W/LOCK.NOTCH

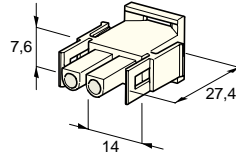


FASTON F630  
W/LOCK.NOTCH

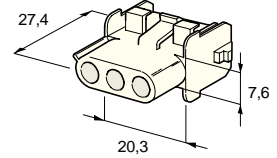
# MATE-N-LOCK



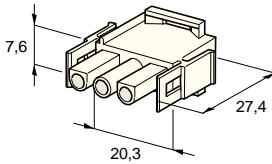
1



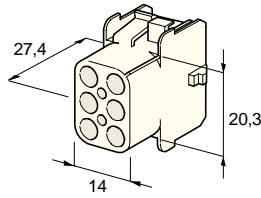
2



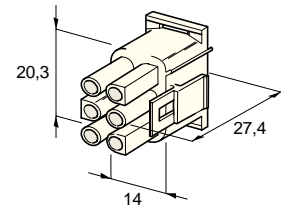
3



4



5



6

IMG	DESCRIPTION	WAY	MATERIAL	COLOUR		P/N BOX	M.O.Q.
1	MALE/FEMALE HOLDER	2	PA	<input type="checkbox"/> Neutral		4426040	10
2	MALE/FEMALE HOLDER	2	PA	<input type="checkbox"/> Neutral		4426030	10
3	MALE/FEMALE HOLDER	3	PA	<input type="checkbox"/> Neutral		4426060	10
4	MALE/FEMALE HOLDER	3	PA	<input type="checkbox"/> Neutral		4426050	10
5	MALE/FEMALE HOLDER	6	PA	<input type="checkbox"/> Neutral		4426120	10
6	MALE/FEMALE HOLDER	6	PA	<input type="checkbox"/> Neutral		4426110	10

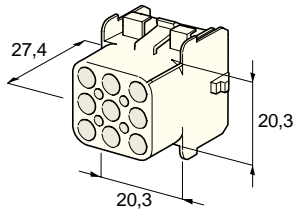
**CONNECTIONS AND FIXINGS**

IMG 1+2+3+4+5+6 1+2+3+4+5+6

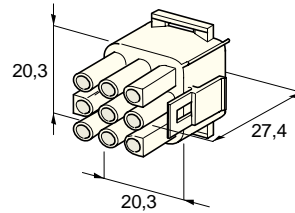


MATE-N-LOCK F2 MATE-N-LOCK M2

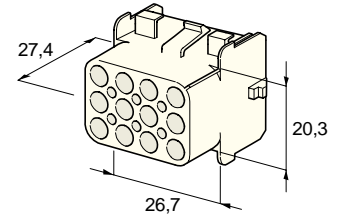
# MATE-N-LOCK



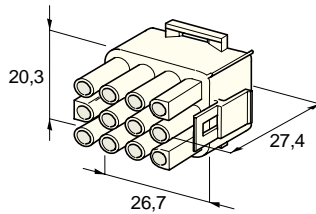
1



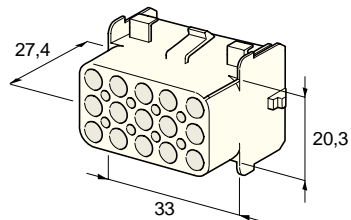
2



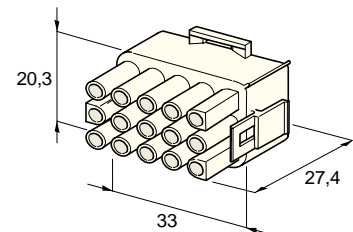
3



4



5



6

IMG	DESCRIPTION	WAY	MATERIAL	COLOUR		P/N BOX	M.O.Q.
1	MALE/FEMALE HOLDER	9	PA	<input type="checkbox"/> Neutral		4426140	10
2	MALE/FEMALE HOLDER	9	PA	<input type="checkbox"/> Neutral		4426130	10
3	MALE/FEMALE HOLDER	12	PA	<input type="checkbox"/> Neutral		4426160	10
4	MALE/FEMALE HOLDER	12	PA	<input type="checkbox"/> Neutral		4426150	10
5	MALE/FEMALE HOLDER	15	PA	<input type="checkbox"/> Neutral		4426180	10
6	MALE/FEMALE HOLDER	15	PA	<input type="checkbox"/> Neutral		4426170	10

## CONNECTIONS AND FIXINGS

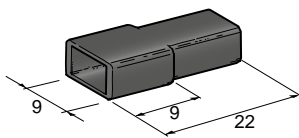
IMG 1+2+3+4+5+6 1+2+3+4+5+6



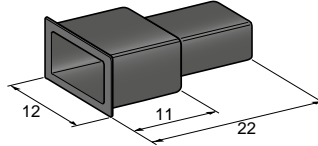
MATE-N-LOCK F2

MATE-N-LOCK M2

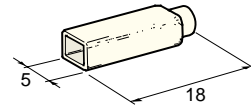
# TERMINAL COVERS



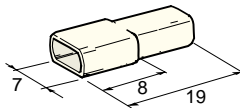
1



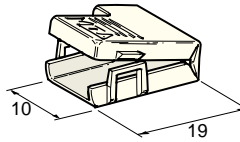
2



3



4



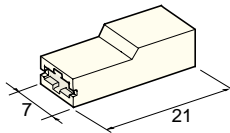
5

IMG	DESCRIPTION	MATERIAL	COLOUR	P/N BOX	M.O.Q.
1	FEMALE 6,3 COVER	PE	■ Black	4410070	200
	FEMALE 6,3 COVER	PE	■ Yellow	4410072	200
	FEMALE 6,3 COVER	PE	■ Blue	4410073	200
	FEMALE 6,3 COVER	PE	■ Red	4410074	200
	FEMALE 6,3 COVER	PE	□ Neutral	4410076	200
2	MALE 6,3 COVER	PE	■ Black	4410080	200
	MALE 6,3 COVER	PE	■ Yellow	4410082	200
	MALE 6,3 COVER	PE	■ Red	4410084	200
	MALE 6,3 COVER	PE	□ Neutral	4410086	200
3	FEMALE 2,8 COVER	PE	□ Neutral	4410065	200
4	FEMALE 4,8 COVER	PE	□ Neutral	4410068	200
5	FLAG 6,3 COVER	PA	□ Neutral	4410060	200

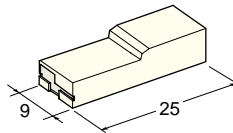
CONNECTIONS AND FIXINGS

IMG	1+6	2+6	3	4	5
	FASTON F630	FASTON M630	FASTON F280	FASTON F480	FASTON F630 FLAG

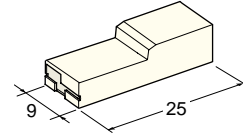
# TERMINAL COVERS



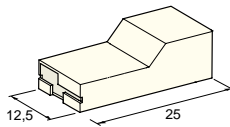
1



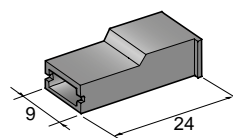
2



3



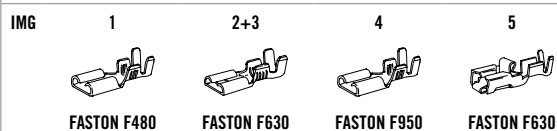
4



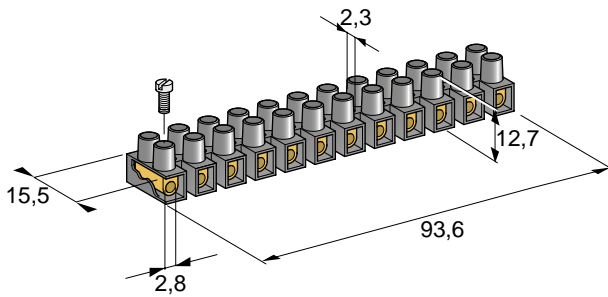
5

IMG	DESCRIPTION	MATERIAL	COLOUR	P/N BOX	M.O.Q.
1	FEMALE 4,8 COVER	PA	<input type="checkbox"/> Neutral	4410062	200
2	FEMALE 6,3 COVER	PA	<input type="checkbox"/> Neutral	4410077	200
3	FEMALE 6,3 COVER	PA	<input type="checkbox"/> Neutral	4410078	200
4	FEMALE 9,5 COVER	PA	<input type="checkbox"/> Neutral	4410079	50
5	FEMALE 6,3 COVER	PA	<input checked="" type="checkbox"/> Black	4420800	50

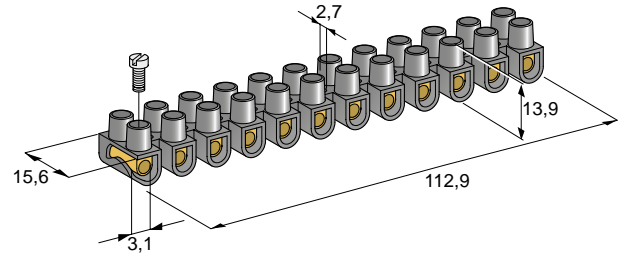
## CONNECTIONS AND FIXINGS



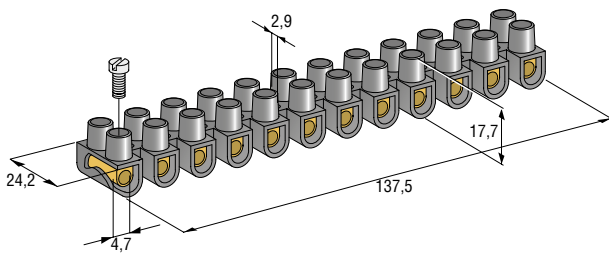
# CONNECTOR STRIPS



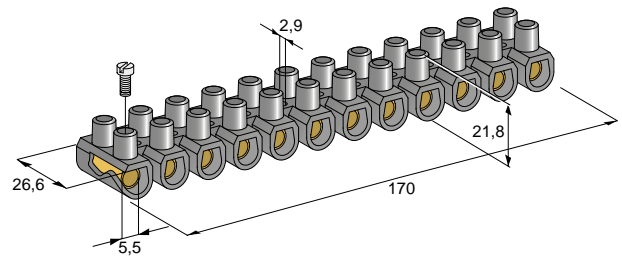
1



2



3



4

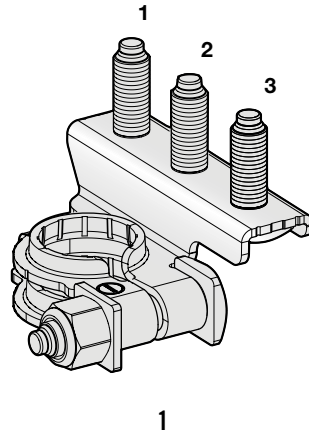
IMG	DESCRIPTION	WAY	MATERIAL	VOLT	In	OPERATION TEMP	CABLE SECTION mm <sup>2</sup>	P/N BOX	M.O.Q.
1	CONNECTOR STRIP	12	PP Black	380	24A	85°C	2,5	4430100	10
2	CONNECTOR STRIP	12	PP Black	380	24A	85°C	6	4430110	10
3	CONNECTOR STRIP	12	PP Black	450	24A	85°C	12	4430120	10
4	CONNECTOR STRIP	12	PP Black	450	24A	85°C	16	4430130	10



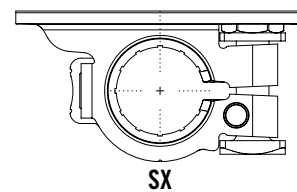
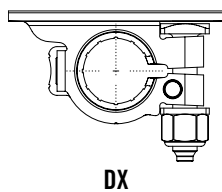
The image features a collection of white line-art illustrations of various battery terminals and connectors against a solid blue background. The components include: two cylindrical threaded terminals at the top; a rectangular terminal block with two threaded terminals; a multi-pin connector with a protective cap; a circular terminal with a central post; a cylindrical terminal with a hexagonal nut and a locking tab; and a multi-pin connector with a protective cap. The text 'BATTERY TERMINALS' is centered in the middle of the image.

# BATTERY TERMINALS

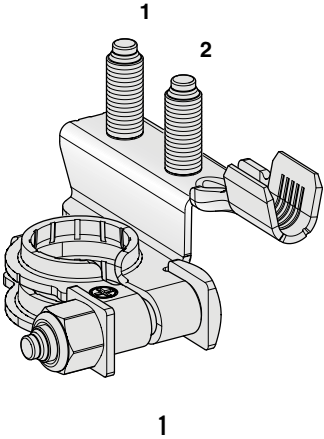
# DOUBLE RING



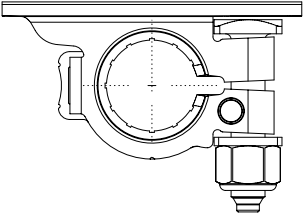
IMG	DESCRIPTION	POLARITY	SCREW 1	SCREW 2	SCREW 3	MATERIAL	MATERIAL THICKNESS mm	P/N BOX	M.O.Q.	P/N BULK	M.O.Q.
1	M686DX	+	M6	M8	M6	CuZn-Sn	1,5	1507701	10	1507700	200
	M686DX	-	M6	M8	M6	CuZn-Sn	1,5	1507704	10	1507705	250
	M686SX	+	M6	M8	M6	CuZn-Sn	1,5			1507720	250
	M666DX	+	M6	M6	M6	CuZn-Sn	1,5			1507703	200
	M666DX	-	M6	M6	M6	CuZn-Sn	1,5			1507707	220
	M666SX	+	M6	M6	M6	CuZn-Sn	1,5			1507708	220
	M666SX	-	M6	M6	M6	CuZn-Sn	1,5			1507736	200
	M668DX	+	M6	M6	M8	CuZn-Sn	1,5			1507710	180
	M080SX	+	/	M8	/	CuZn-Sn	1,5			1507760	250
	M606DX	+	M6	/	M6	CuZn-Sn	1,5			1507772	250
	M606SX	+	M6	/	M6	CuZn-Sn	1,5			1507771	250
	M868DX	+	M8	M6	M8	CuZn-Sn	1,5			1507790	200
	M868SX	+	M8	M6	M8	CuZn-Sn	1,5			1508001	180
	M806DX	+	M8	/	M6	CuZn-Sn	1,5			1507795	250



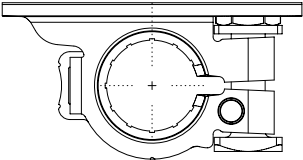
# DOUBLE RING



IMG	DESCRIPTION	POLARITY	SCREW 1	SCREW 2	WIRE SECTION mm <sup>2</sup>	MATERIAL	MATERIAL THICKNESS mm	P/N BULK	M.O.Q.
1	M66DX	+	M6	M6	10÷20	CuZn-Sn	1,3	1507800	200
	M06SX	+	/	M6	10÷20	CuZn-Sn	1,3	1507810	250
	M66DX	+	M6	M6	25÷40	CuZn-Sn	1,3	1507820	200
	M66DX	-	M6	M6	25÷40	CuZn-Sn	1,3	1507875	200
	M06SX	+	/	M6	25÷40	CuZn-Sn	1,3	1507830	200
	M66SX	-	M6	M6	25÷40	CuZn-Sn	1,3	1507885	200

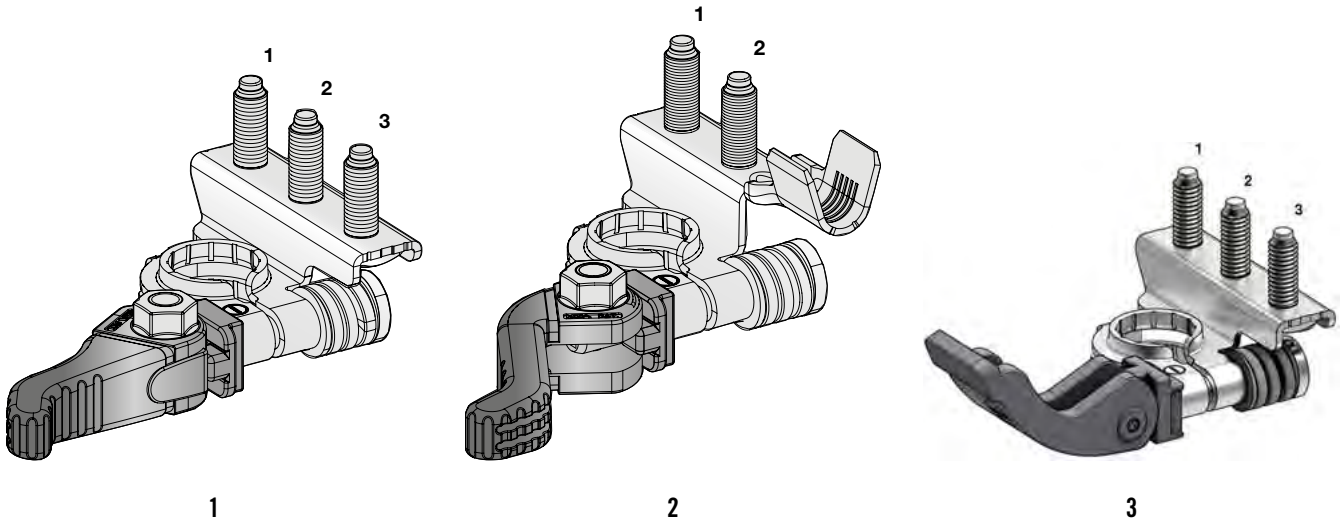


DX

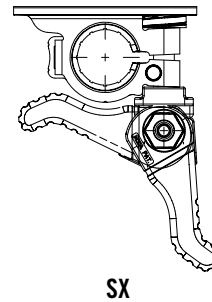
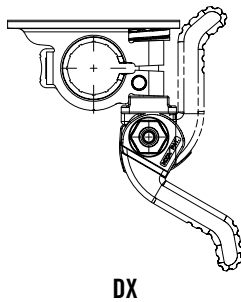


SX

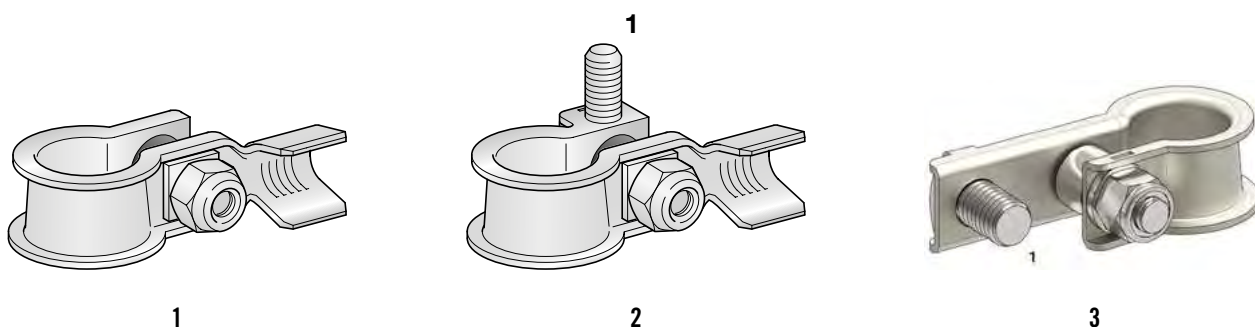
# QUICK LOCK



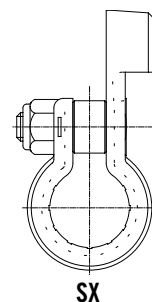
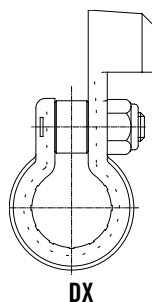
IMG.	DES.	POLARITY	SCREW 1	SCREW 2	SCREW 3	WIRE SECTION mm <sup>2</sup>	MATERIAL	MATERIAL THICKNESS mm	P/N BOX	M.O.Q.	P/N BULK	M.O.Q.
1	M666SX	-	M6	M6	M6		CuZn-Sn	1,5	1507904	1	1507905	130
	M666SX	+	M6	M6	M6		CuZn-Sn	1,5			1507975	130
	M666DX	-	M6	M6	M6		CuZn-Sn	1,5	1507916	1	1507915	130
2	M66DX	-	M6	M6		10÷20	CuZn-Sn	1,3	1507926	1	1507925	130
	M66DX	-	M6	M6		25÷40	CuZn-Sn	1,3	1507956	1	1507955	130
	M60DX	-	M6			10÷20	CuZn-Sn	1,3			1507946	100
	M66DX	-	M6	M6		AWG1	CuZn-Sn	1,3			1507957	200
3	VQR	-	M6	M6	M6		CuZn33-Sn	1,5			1507601	100



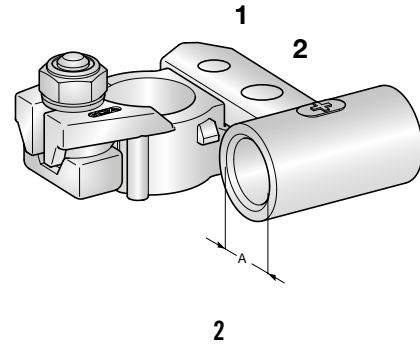
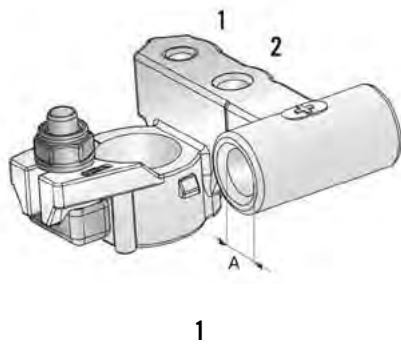
# STRIP TYPE



IMG	DESCRIPTION	POLARITY	SCREW(1)	WIRE SECTION mm <sup>2</sup>	MATERIAL	MATERIAL THICKNESS mm	P/N BOX	M.O.Q.	P/N BULK	M.O.Q.
1	STRIP DX	-		10÷20	CuZn-Sn	1,2	1506656	10	1506655	400
	STRIP DX	-		25÷40	CuZn-Sn	1,2	1506666	10	1506665	400
	STRIP SX	-		10÷20	CuZn-Sn	1,2			1506658	400
	STRIP SX	-		25÷40	CuZn-Sn	1,2			1506668	400
	STRIP DX	+		10÷20	CuZn-Sn	1,2	1506721	10	1506720	400
	STRIP DX	+		25÷40	CuZn-Sn	1,2	1506731	10	1506730	400
2	STRIP DX	-	M6	10÷20	CuZn-Sn	1,2			1506650	400
	STRIP DX	-	M6	25÷40	CuZn-Sn	1,2			1506660	400
3	STRIP DX	-	M8		CuZn-Sn	1,2			1506675	400
	STRIP SX	-	M8		CuZn-Sn	1,2			1506678	400

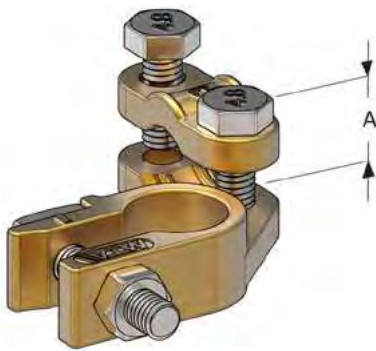


# DIE CAST

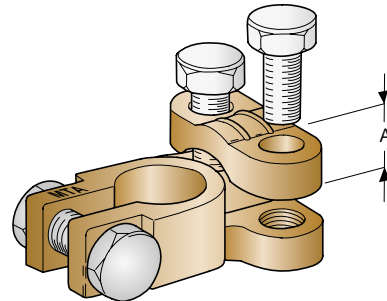


IMG	DESCRIPTION	POLARITY	SCREW 1	SCREW 2	MATERIAL	A mm <sup>2</sup>	P/N BOX	M.O.Q.	P/N BULK	M.O.Q.
1	DIE CAST	+	M6	M8	BRASS Sn	50			1506765	70
2	DIE CAST	+	M6	M8	BRASS Sn	70	1506741	1	1506740	150
	DIE CAST	-	M6	M8	BRASS Sn	50	1506761	1	1506760	150

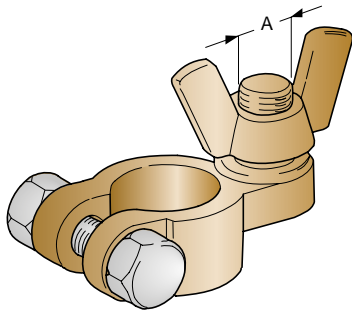
# DIE CAST



1



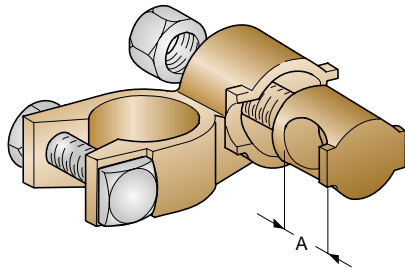
2



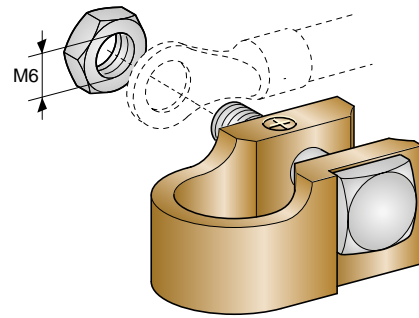
3

IMG	DESCRIPTION	POLARITY	MATERIAL	A mm <sup>2</sup>	P/N BOX	M.O.Q.
1	DIE CAST	+	BRASS	25÷50	1506100	25
	DIE CAST	-	BRASS	25÷50	1506110	25
2	DIE CAST	+	BRASS	25÷50	1506270	25
	DIE CAST	-	BRASS	25÷50	1506280	25
3	DIE CAST	+	BRASS	M10	1506120	25
	DIE CAST	-	BRASS	M8	1506130	25

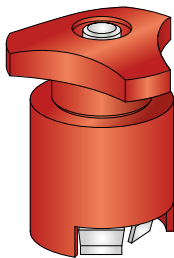
# DIE CAST & FRENCH TYPES



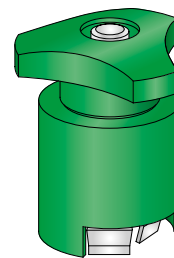
1



2



3

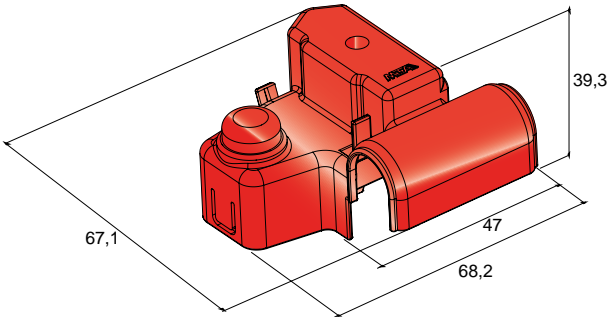


4

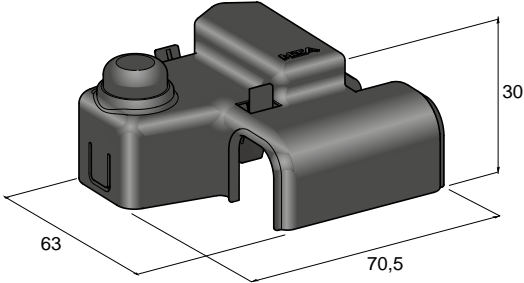
IMG	DESCRIPTION	POLARITY	WIRE SECTION mm <sup>2</sup>	MATERIAL	P/N BOX	M.O.Q.
1	BATTERY TERMINAL	+	25	BRASS	1506250	25
	BATTERY TERMINAL	-	25	BRASS	1506260	25
2	BATTERY TERMINAL	+/-	-	BRASS	1506820	1+1
3	BATTERY TERMINAL	+	-	PE - NYLON	1506200	25
4	BATTERY TERMINAL	-	-	PE - NYLON	1506210	25



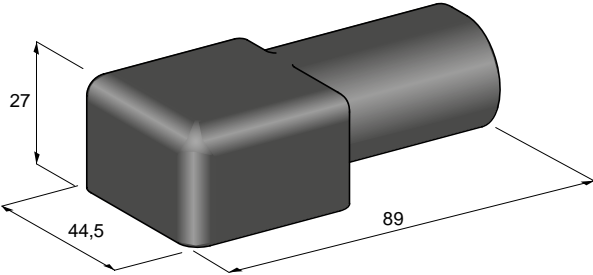
# PROTECTION COVERS



1

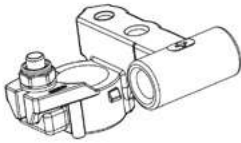


2

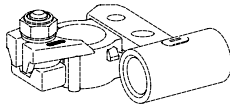


3

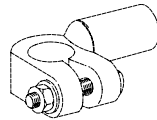
IMG	DESCRIPTION	POLARITY	MATERIAL	COLOUR	P/N BOX	M.O.Q.	P/N BULK	M.O.Q.
1	COVER FOR 1506765	+	PP	Red			4510499	500
2	COVER FOR 150674X	+	PP	Red			4510496	500
	COVER FOR 150676X	-	PP	Black			4510497	500
3	COVER		EPDM	Black	4410495	10		



1

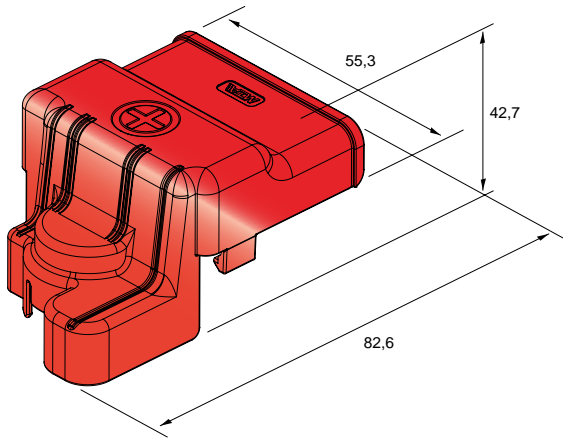


2

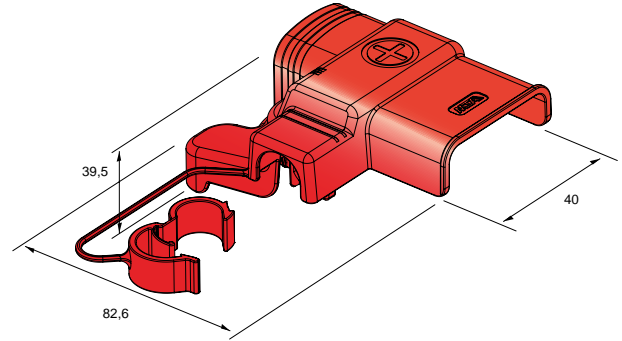


3

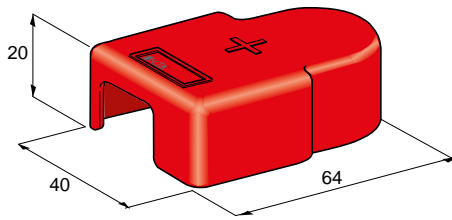
# PROTECTION COVERS



1

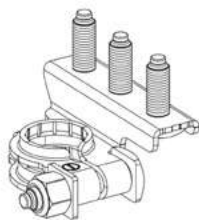


2

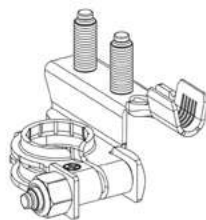


3

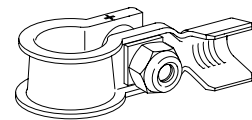
IMG	DESCRIPTION	POLARITY	MATERIAL	COLOUR	P/N BOX	M.O.Q.	P/N BULK	M.O.Q.
1	COVER FOR 15077XX	+	PP	Red			4510503	100
2	COVER FOR 15078XX	+	PP	Red			4510502	100
3	COVER FOR 1506720/21/30/31	+	PP	Red	4410480	10	4510480	500



1



2

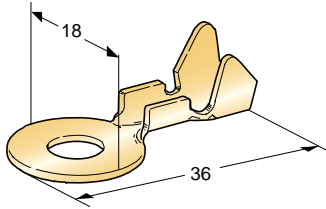


3

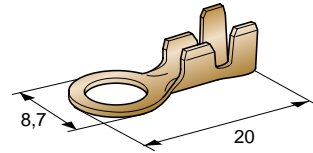


# TERMINALS

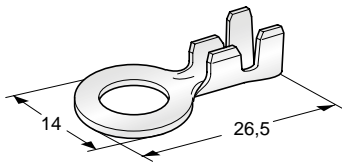
# STANDARD RING



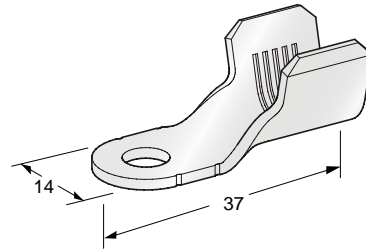
1



2



3



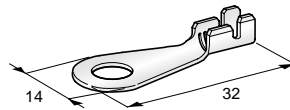
4

IMG	DESCRIPTION	SCREW	WIRE SECTION mm <sup>2</sup>	MATERIAL	MATERIAL THICKNESS mm	P/N BOX	M.O.Q.	P/N BULK	M.O.Q.
1	UNI 679L35	M10	4÷6	CuZn	0,7	1602550	100		
2	STDL22	M4	1÷2,5	CuZn	0,6	1602970	100		
	STDL22	M5	1÷2,5	CuZn	0,6	1602980	100		
	STDL22	M6	1÷2,5	CuZn	0,6	1602981	100		
3	STDL26	M6	3÷6	CuZn	0,8	1602990	100		
	STDL26	M8	3÷6	CuZn	0,8	1603000	100		
4	STDL37	M6	25÷40	CuZn-Sn	1,5			1609000	2000

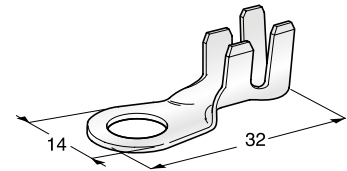
# GROUND



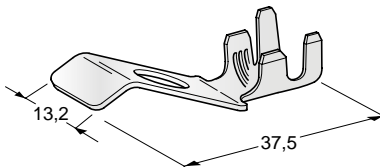
1



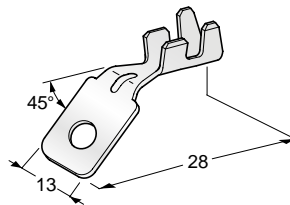
2



3



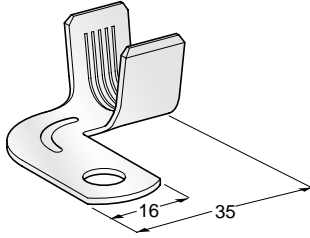
4



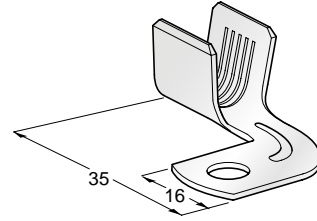
5

IMG	DESCRIPTION	SCREW	WIRE SECTION mm <sup>2</sup>	MATERIAL	MATERIAL THICKNESS mm	P/N BOX	M.O.Q.	P/N REEL	M.O.Q.
1	GND	M5	0,5÷1,5	CuZn-Sn	0,6			1706740	12000
	GND FLY	M5	0,5÷1,5	CuZn-Sn	0,6			1706741	12000
2	GND	M6	1÷2,5	CuZn-Sn	0,8	1106720	100	1706720	6000
	GND	M6	4÷6	CuZn-Sn	0,8	1106700	100	1706700	4500
	GND	M6	8÷10	CuZn-Sn	0,8	1106750	100	1706750	2400
	GND	M8	1÷2,5	CuZn-Sn	0,8	1106730	100	1706730	6000
	GND	M8	4÷6	CuZn-Sn	0,8	1106710	100	1706710	4500
	GND	M8	8÷10	CuZn-Sn	0,8	1106760	100	1706760	2400
3	GND FLY	M6	1÷2,5	CuZn-Sn	0,8			1706721	6000
	GND FLY	M6	3÷6	CuZn-Sn	0,8			1706701	4500
	GND FLY	M8	1÷2,5	CuZn-Sn	0,8			1706731	6000
	GND FLY	M8	3÷6	CuZn-Sn	0,8			1706711	4500
4	GND 188 TW25	M8	2,5÷4	CuZn-Sn	0,8			1708150	3600
5	GND 188 G45	M5	2,5÷6	CuZn-Sn	0,8			1708160	2400

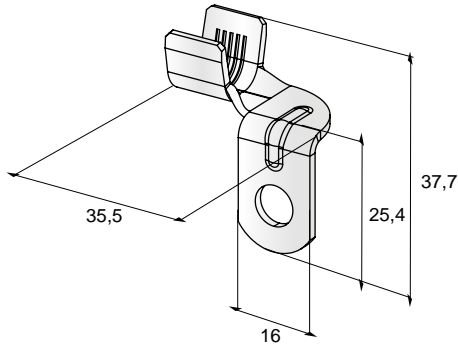
# CBA



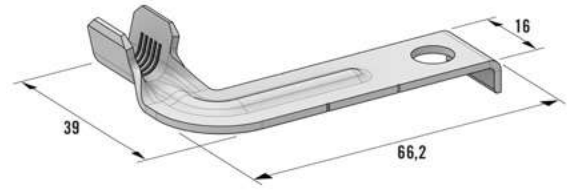
1



2



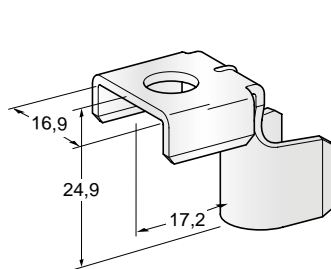
3



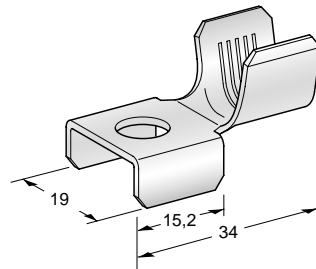
4

IMG	DESCRIPTION	SCREW	WIRE SECTION mm <sup>2</sup>	MATERIAL	MATERIAL THICKNESS mm	P/N BOX	M.O.Q.	P/N REEL	M.O.Q.
1	CBA FL 90	M8	10÷20	CuZn-Sn	1,5			1708170	800
	CBA FL 90	M6	10÷20	CuZn-Sn	1,5			1708175	700
	CBA FL 90	M6	25÷42	CuZn-Sn	1,5	1604300	1500		
	CBA FL 90	M8	25÷42	CuZn-Sn	1,5	1608210	1500	1708210	600
	CBA FL 90	M6	25÷42	CuZn-Sn	1,5			1708215	1200
	CBA FL 90	M8	50÷70	CuZn-Sn	1,8			1708230	600
2	CBA SX FL90	M6	20÷40	CuZn-Sn	1,8			1708325	600
	CBA SX FL90	M8	20÷40	CuZn-Sn	1,8	1608321	550	1708320	600
	CBA SX FL90	M6	50÷70	CuZn-Sn	1,8			1708315	600
	CBA SX FL90	M8	50÷70	CuZn-Sn	1,8			1708310	600
3	CBA SX G90	M8	20÷40	CuZn-Sn	1,8	1608323	1000		
4	CBA J81 L4	M8	10÷20	Cu-Sn	1,8	1609200	500		

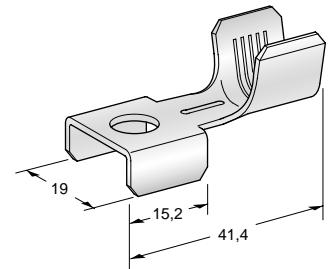
# MEGA



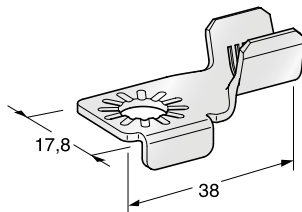
1



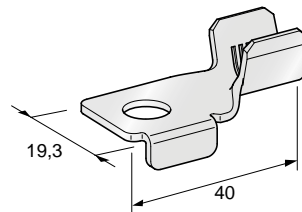
2



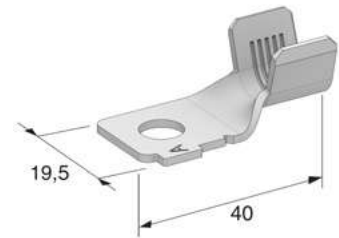
3



4

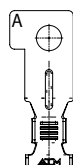


5

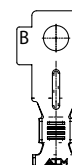


6

IMG	DESCRIPTION	SCREW	WIRE SECTION mm <sup>2</sup>	MATERIAL	MATERIAL THICKNESS mm	P/N BOX	M.O.Q.	P/N REEL	M.O.Q.
1	MEGA G90	M8	10÷20	Cu-Sn	1,5	1608180	650		
	MEGA G90	M8	25÷35	Cu-Sn	1,5	1608190	500		
2	MEGA	M8	10÷20	Cu-Sn	1,2	1108110	10	1708110	1200
	MEGA	M8	25÷35	Cu-Sn	1,2	1108120	10	1708120	900
3	MEGA	M8	25÷40	Cu-Sn	1,5	1608196	500		
	MEGA	M8	AWG-1	Cu-Sn	1,5	1608199	500		
4	W84	M8	10÷25	CuZn-Sn	1,5	1608800	1400		
5	W62	M8	25÷40	Cu-Sn	1,5	1609320	700		
6	W62 POL.A	M8	25÷40	Cu-Sn	1,5	1609330	700		
	W62 POL.B	M8	25÷40	Cu-Sn	1,5	1609340	700		



POL A

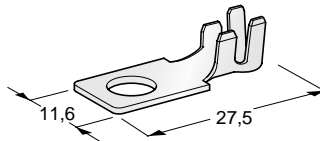


POL B

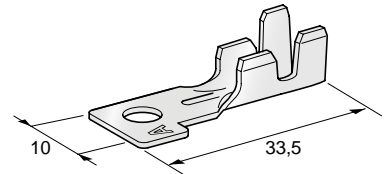
# MIDI



1

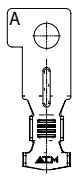


2

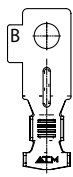


3

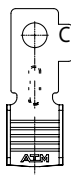
IMG	DESCRIPTION	SCREW	WIRE SECTION mm <sup>2</sup>	MATERIAL	MATERIAL THICKNESS mm	P/N REEL	M.O.Q.
1	MIDI	M4	2,5÷4	CuZn-Sn	0,8	1708280	2000
2	MIDI	M5	2,5÷4	CuZn-Sn	0,8	1708240	2000
	MIDI	M5	6÷8	CuZn-Sn	0,8	1708245	1600
	MIDI	M6	6÷8	CuZn-Sn	0,8	1708246	1600
3	MIDI	M5	2,5÷4	Cu-Sn	0,8	1705606	2000
	MIDI POL A	M5	2,5÷4	Cu-Sn	0,8	1705616	2000
	MIDI POL B	M5	2,5÷4	Cu-Sn	0,8	1705626	2000
	MIDI POL E	M5	2,5÷4	Cu-Sn	0,8	1705656	2000
	MIDI POL A	M5	6÷8	Cu-Sn	0,8	1705715	2000
	MIDI POL B	M5	6÷8	Cu-Sn	0,8	1705725	2000
	MIDI POL D	M5	6÷8	Cu-Sn	0,8	1705745	2000
	MIDI POL C	M5	6÷8	Cu-Sn	0,8	1705735	2000



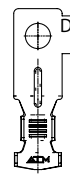
POL A



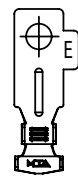
POL B



POL C



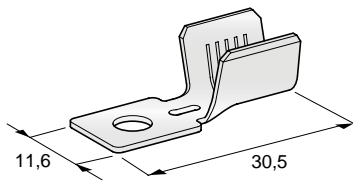
POL D



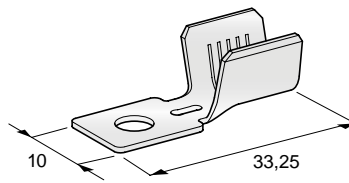
POL E



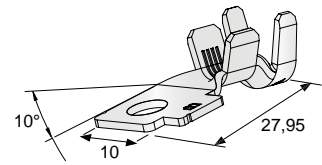
# MIDI



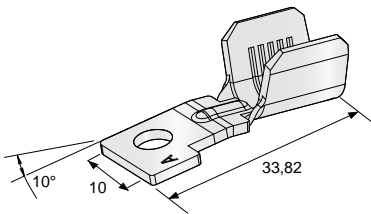
1



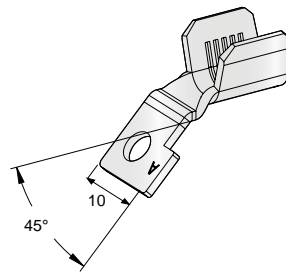
2



3



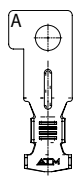
4



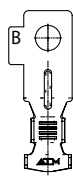
5

NEW

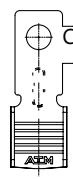
IMG	DESCRIPTION	SCREW	WIRE SECTION mm <sup>2</sup>	MATERIAL	MATERIAL THICKNESS mm	P/N BOX	M.O.Q.	P/N REEL	M.O.Q.
1	MIDI	M5	10÷16	CuZn-Sn	0,8			1708250	1600
2	MIDI	M5	25÷35	Cu-Sn	1,5			1605905	800
	MIDI POL A	M5	10÷20	Cu-Sn	1,5			1705855	1000
	MIDI POL B	M5	10÷20	Cu-Sn	1,5			1705825	1000
	MIDI POL B	M5	25÷35	Cu-Sn	1,5			1705925	800
	MIDI POL C	M5	10÷20	Cu-Sn	1,5			1705835	1000
	MIDI POL D	M5	10÷20	Cu-Sn	1,5			1705856	1000
3	MIDI G10 POL B	M5	6÷8	CuZn-Sn	1			1705726	2700
4	MIDI G10 POL A	M5	10÷20	CuZn-Sn	1,5			1705816	1000
	MIDI G10 POL B	M5	10÷20	CuZn-Sn	1,5			1705826	1000
	MIDI G10 POL D	M5	10÷20	CuZn-Sn	1,5			1705846	1000
5	MIDI G135 POL A	M5	10÷20	CuZn-Sn	1,5	1605815	1500		



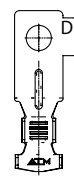
POL A



POL B

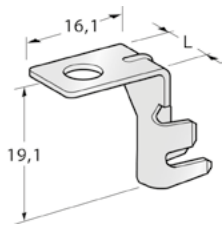


POL C

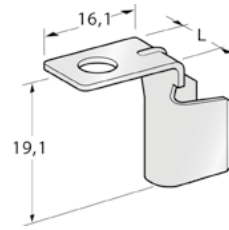


POL D

# MIDI G90

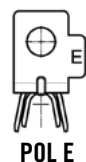
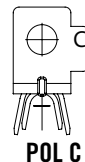
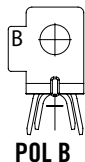
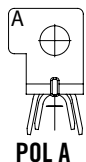


1

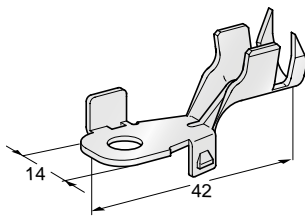


2

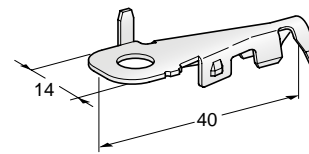
IMG	DESCRIPTION	SCREW	WIRE SECTION mm <sup>2</sup>	MATERIAL	MATERIAL THICKNESS mm	L		P/N BOX	M.O.Q.
1	MIDI G90 UNI	M5	2,5÷4	Cu-Sn	0,8	10		1605600	2500
	MIDI G90 UNI	M5	6÷8	Cu-Sn	0,8	10		1605700	2500
	MIDI G90 POL A	M5	2,5÷4	Cu-Sn	0,8	10		1605610	2500
	MIDI G90 POL A	M5	6÷8	Cu-Sn	0,8	10		1605710	2000
	MIDI G90 POL B	M5	2,5÷4	Cu-Sn	0,8	10		1605620	2500
	MIDI G90 POL B	M5	6÷8	Cu-Sn	0,8	10		1605720	2000
	MIDI G90 POL C	M5	2,5÷4	Cu-Sn	0,8	10		1605630	2500
	MIDI G90 POL C	M5	6÷8	Cu-Sn	0,8	10		1605730	2000
	MIDI G90 POL E	M5	2,5÷4	Cu-Sn	0,8	10		1605650	2500
	2	MIDI G90 UNI	M5	10÷20	Cu-Sn	1,5	10		1605800
MIDI G90 UNI		M5	25÷35	Cu-Sn	1,5	10		1605900	2000
MIDI G90 POL A		M5	10÷20	Cu-Sn	1,5	10		1605810	1500
MIDI G90 POL A		M5	25÷35	Cu-Sn	1,5	10		1605910	2000
MIDI G90 POL B		M5	10÷20	Cu-Sn	1,5	10		1605820	1500
MIDI G90 POL C		M5	10÷20	Cu-Sn	1,5	10		1605830	1500
MIDI G90 POL C		M5	25÷35	Cu-Sn	1,5	10		1605930	2000
MIDI G90 POL A		M6	10÷20	Cu-Sn	1,5	13		1605811	1200
MIDI G90 POL C		M6	25÷35	Cu-Sn	1,5	13		1605911	1000



# REVERSIBLE



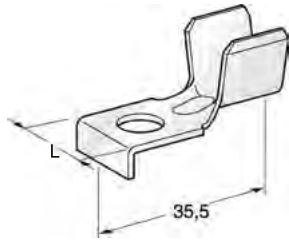
1



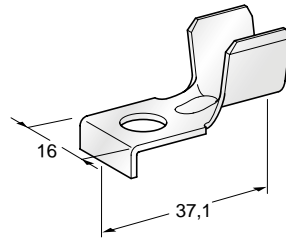
2

IMG	DESCRIPTION	SCREW	WIRE SECTION mm <sup>2</sup>	MATERIAL	MATERIAL THICKNESS mm	L	P/N REEL	M.O.Q.
1	RVS A	M6	2,5÷4	Cu-Sn	0,8		1706900	1200
	RVS A	M6	6÷8	Cu-Sn	1		1706910	1400
	RVS A	M6	10÷16	Cu-Sn	1,2		1706920	900
2	RVS B	M6	2,5÷4	Cu-Sn	0,8		1706930	2200
	RVS B	M6	6÷8	Cu-Sn	1		1706940	2000

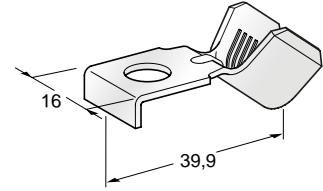
# SQUARE



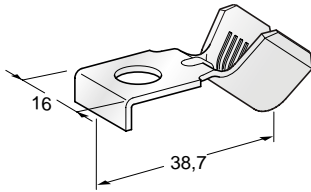
1



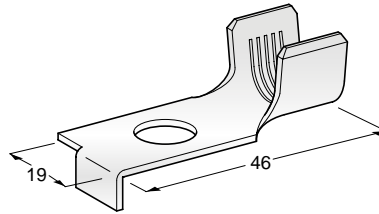
2



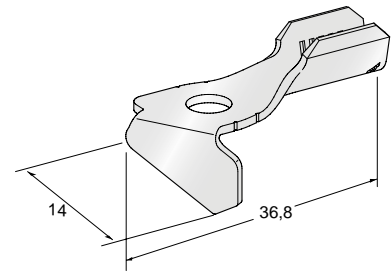
3



4



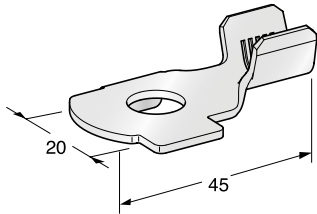
5



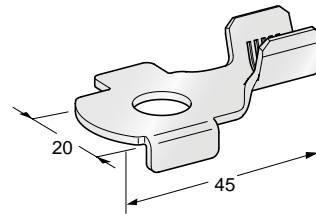
6

IMG	DESCRIPTION	L	SCREW	WIRE SECTION mm <sup>2</sup>	MATERIAL	MATERIAL THICKNESS mm	P/N BOX	M.O.Q.	P/N REEL	M.O.Q.
1	SQR A	12	M5	10÷20	CuZn-Sn	1,2			1706990	1200
	SQR A	16	M6	10÷20	CuZn-Sn	1,2	1906970	1000	1706970	1200
	SQR A	16	M6	25÷35	CuZn-Sn	1,2			1706980	1000
	SQR A	16	M6	25÷40	Cu-Sn	1,5	1606981	1800		
	SQR A	16	M8	10÷20	CuZn-Sn	1,2			1706950	1200
	SQR A	16	M8	10÷20	CuZn-Sn	1,5	1606991	1700		
	SQR A	16	M8	25÷35	CuZn-Sn	1,2			1706960	1000
	SQR A	16	M8	25÷40	CuZn-Sn	1,5	1606990	800		
2	SQR A		M8	25÷40	CuZn-Sn	1,5	1606992	800		
	SQR A G45		M8	25÷40	CuZn-Sn	1,5	1606994	900		
3	SQR A G40		M6	25÷40	CuZn-Sn	1,2	1606982	2000		
4	SQR B		M10	10÷20	CuZn-Sn	1,5			1708220	800
	SQR B		M10	25÷35	CuZn-Sn	1,5			1708200	700
5	SQR 30		M6	10÷20	CuZn-Sn	1,2	1608345	1000	1708345	1500
	SQR 30		M6	25÷40	CuZn-Sn	1,2	1608346	800		

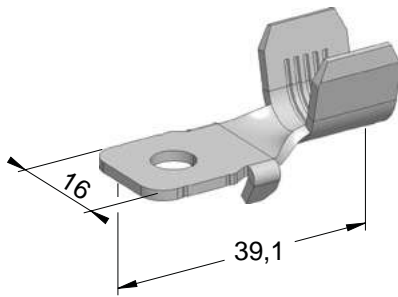
# SQUARE



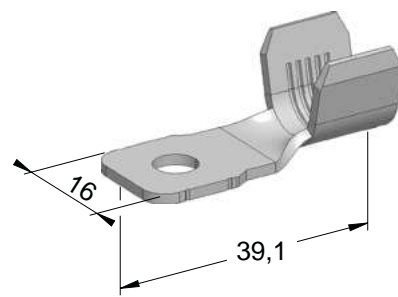
1



2



3

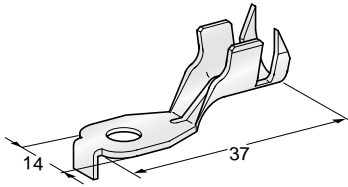
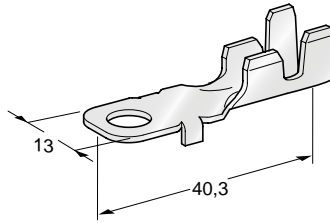
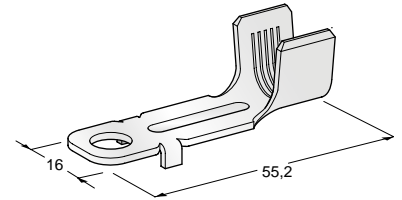
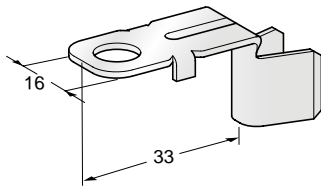
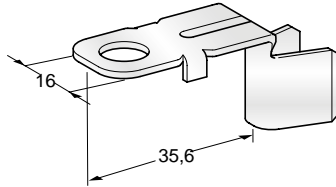
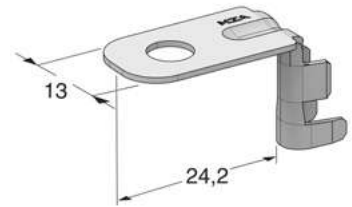


4

IMG	DESCRIPTION	SCREW	WIRE SECTION mm <sup>2</sup>	MATERIAL	MATERIAL THICKNESS mm		P/N REEL	M.O.Q.
1	SQR C DX	M10	10÷20	CuZn-Sn	1,5		1708185	700
2	SQR C SX	M10	25÷40	CuZn-Sn	1,5		1708270	700
3	SQR C MY03	M6	10÷20	CuZn-Sn	1,5		1706975	1200
	SQR C MY03	M6	25÷40	CuZn-Sn	1,5		1706977	700
4	SQR C UNI	M6	25÷40	CuZn-Sn	1,5		1706712	TBD

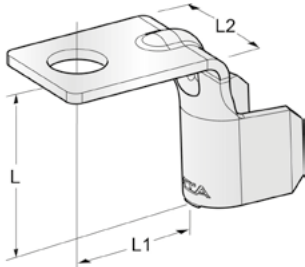
NEW

# SMT

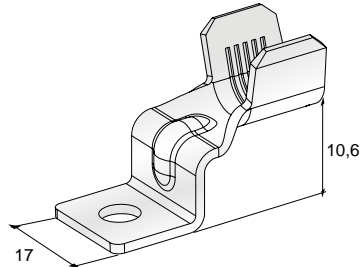

**1**

**2**

**3**

**4**

**5**

**6**

IMG	DESCRIPTION	SCREW	WIRE SECTION mm <sup>2</sup>	MATERIAL	MATERIAL THICKNESS mm	P/N BOX	M.O.Q.	P/N REEL	M.O.Q.
1	SMT A	M6	4÷8	CuZn-Sn	1			1706880	1400
	SMT A	M6	10÷16	CuZn-Sn	1,2	1606890	2000	1706890	1200
2	SMT B	M6	2,5÷4	CuZn-Sn	0,8			1706600	3000
3	SMT C	M8	50÷70	CuZn-Sn	1,5	1606796	1000		
4	SMT C G90	M6	6÷8	CuZn-Sn	1,2	1606775	500		
	SMT C G90	M6	10÷20	CuZn-Sn	1,2	1606770	2000		
	SMT C G90	M6	25÷40	CuZn-Sn	1,2	1606500	600		
	SMT C G90	M8	25÷40	CuZn-Sn	1,2	1606785	600		
5	SMT C G90	M8	50÷70	CuZn-Sn	1,5	1606795	1000		
6	SMT B G90	M8	2,5÷4	CuZn-Sn	0,8	1606791	2000		

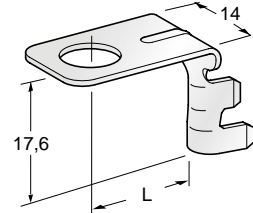
# SPECIAL TYPES



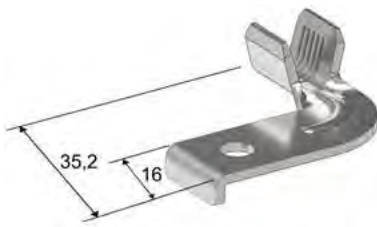
1



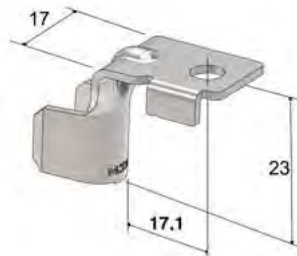
2



3



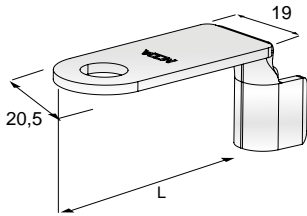
4



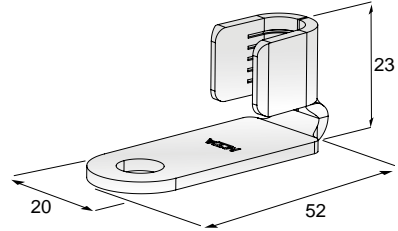
5

IMG	DESCRIPTION	SCREW	WIRE SECTION mm <sup>2</sup>	MATERIAL	MATERIAL THICKNESS mm	L	L1	L2	P/N BOX	M.O.Q.
1	FDU G90	M8	25÷40	CuZn-Sn	1,5	23	10,7	17	1608380	1500
	FDU G90	M6	25÷40	CuZn-Sn	1,5	23	10,7	17	1608381	700
	FDU G90	M6	25÷35	Cu-Sn	1,5	27,4	10,7	17	1608384	600
	G90	M8	50 -70	Cu-Sn	1,8	23	16	16	1607500	600
	G90	M8	M8	Cu-Sn	1,8	24	16	16	1617500	600
2	FDU G90	M6	25÷40	CuZn-Sn	1,5				1608382	700
3	PTC G90	M8	2,5÷4	Cu-Sn	0,8	15,4			1608500	1700
	STR-S G90	M6	2,5÷4	Cu-Sn	0,8	11,4			1608510	2300
4	SX FL90 P	M6	10÷16	CuZn-Sn	1,8				1704004	600
5	FDU GM90M6P	M6	25÷35	CuZn-Sn	1,5				1704010	600

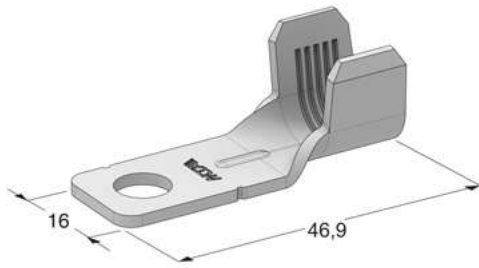
# SPECIAL TYPES



1



2

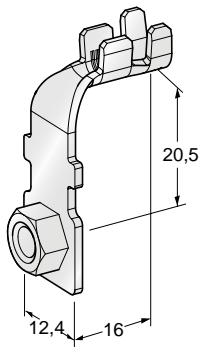


3

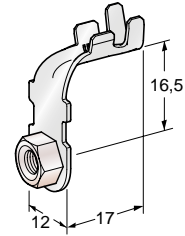
IMG	DESCRIPTION	SCREW	WIRE SECTION mm <sup>2</sup>	MATERIAL	MATERIAL THICKNESS mm	L		P/N BOX	M.O.Q.
1	G90	M8	16	CuZn-Sn	1,9	44,5		1793752	500
	G90	M8	16	CuZn-Sn	1,9	54,5		1796416	2000
2	G90	M8	35	CuZn-Sn	2,3			1793753	500
3	L47	M8	50 -70	Cu-Sn	1,8			1607510	600



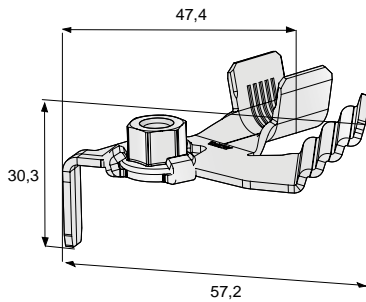
# NUT TYPES



1



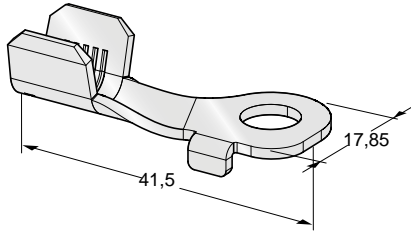
2



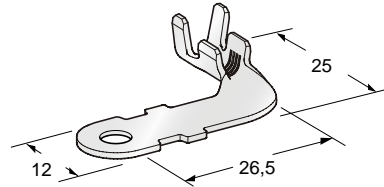
3

IMG	DESCRIPTION	SCREW	WIRE SECTION mm <sup>2</sup>	MATERIAL	MATERIAL THICKNESS mm		P/N BOX	M.O.Q.
1	NUT G90 SH	M5	2,5÷5	CuZn-Sn	1,2		1608420	1500
2	NUT G90	M5	2,5÷5	CuZn-Sn	1		1608400	1500
3	JUMP START W95	M6	25÷40	CuZn-Sn	1,5		1608460	230

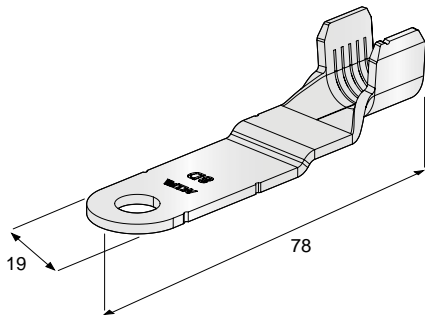
# SPECIAL TYPES



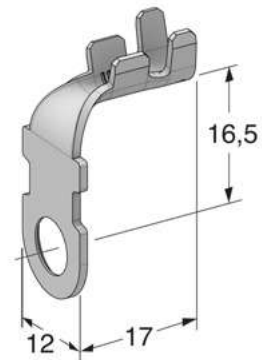
1



2



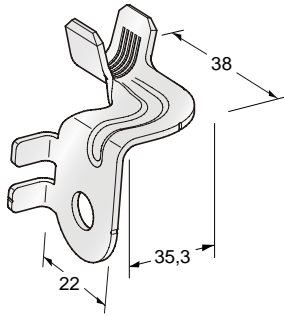
3



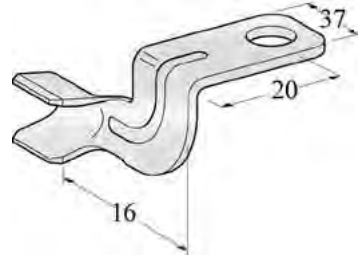
4

IMG	DESCRIPTION	SCREW	WIRE SECTION mm <sup>2</sup>	MATERIAL	MATERIAL THICKNESS mm	P/N BOX	M.O.Q.	P/N REEL	M.O.Q.
1	STARTER L41	M8	10÷20	CuZn-Sn	1,5			1708360	1000
	STARTER L41	M8	25÷40	CuZn-Sn	1,5			1708370	800
2	X70 FL90	M5	4÷7	CuZn-Sn	1	1608415	3000		
3	ALTERNATOR	M8	35÷50	Cu-Sn	2	1607400	300		
4	G90	M6	2,5÷5	CuZn-Sn	1	1606995	2000		

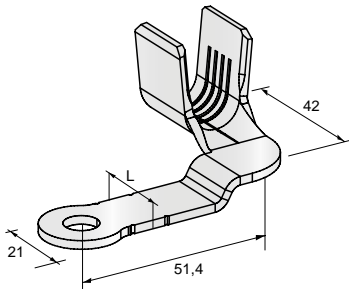
# SPECIAL TYPES



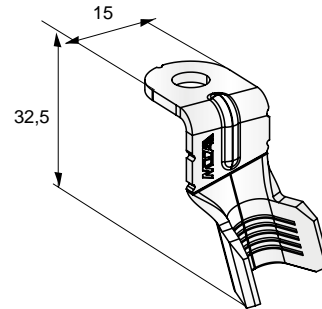
1



2



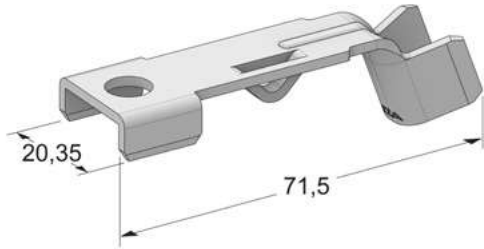
3



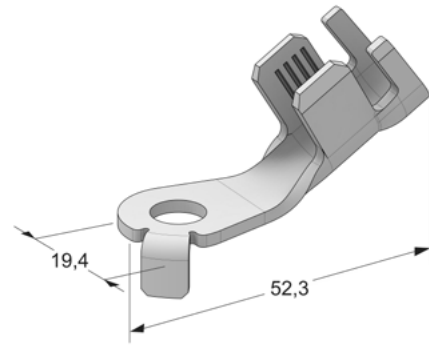
4

IMG	DESCRIPTION	SCREW	WIRE SECTION mm <sup>2</sup>	MATERIAL	MATERIAL THICKNESS mm	L		P/N BOX	M.O.Q.
1	ND TW90	M8	25÷40	CuZn-Sn	1,5			1609100	280
2	FLANGE TW90	M8	10÷20	Cu-Sn	1,5			1608600	450
3	D21	M8	16÷41	CuZn-Sn	2	16		1609910	380
	D21	M8	14÷41	CuZn-Sn	2	13		1609920	250
	D21	M8	16÷41	Cu-Sn	2	16		1609911	250
4	FL15G90	M6	25÷35	Cu-Sn	1,8			1608520	700

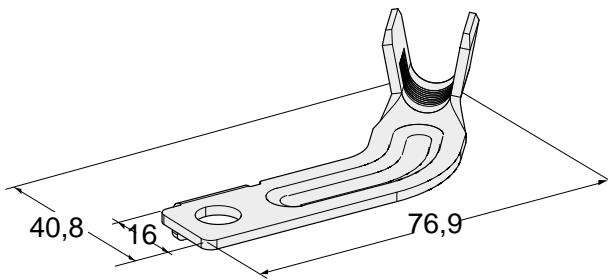
# SPECIAL TYPES



1



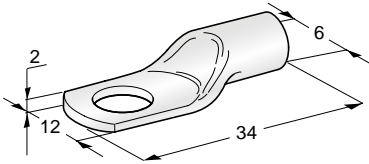
2



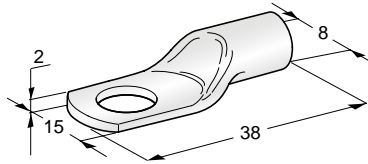
3

IMG	DESCRIPTION	SCREW	WIRE SECTION mm <sup>2</sup>	MATERIAL	MATERIAL THICKNESS mm		P/N BOX	M.O.Q.
1	G70	M8	25÷35	CuZn-Sn	1,8		1608540	500
2	G30 ANTIROTATION	M8	35	CuZn-Sn	2,0		1609960	500
3	W61 FLAG 50	M8	25	CuZn-Sn	1,8		1609600	500

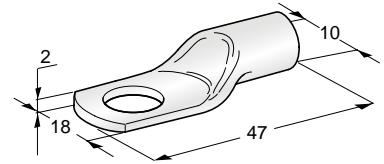
# TUBULAR



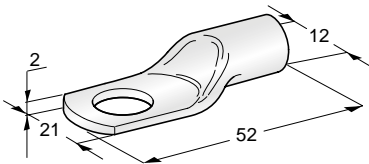
1



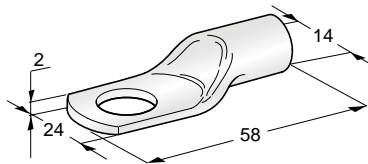
2



3



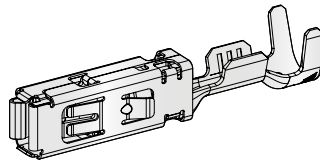
4



5

IMG	DESCRIPTION	SCREW	WIRE SECTION mm <sup>2</sup>	MATERIAL		P/N BOX	M.O.Q.
1	TUBOLAR L34	M6	16	Cu-Sn		1605000	50
	TUBOLAR L34	M8	16	Cu-Sn		1605100	50
2	TUBOLAR L38	M8	25	Cu-Sn		1605010	50
	TUBOLAR L38	M10	25	Cu-Sn		1605110	50
3	TUBOLAR L47	M8	35	Cu-Sn		1605021	50
	TUBOLAR L47	M10	35	Cu-Sn		1605020	50
4	TUBOLAR L52	M11	50	Cu-Sn		1605030	25
5	TUBOLAR L58	M13	75	Cu-Sn		1605040	25

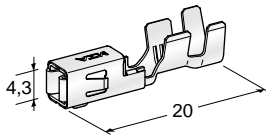
# HP6 280



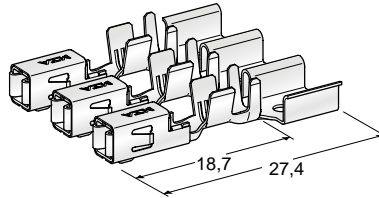
1

IMG	DESCRIPTION	WIRE SECTION mm <sup>2</sup>	MATERIAL	MATERIAL THICKNESS mm	CONTACT AREA COATING	P/N BOX	M.O.Q.	P/N REEL	M.O.Q.
1	HP6 280	0,5÷1	Cu Alloy-Sn	0,3	Au	1108380	100	1708380	10500
	HP6 280	1,5÷2,5	Cu Alloy-Sn	0,3	Au	1108381	100	1708381	10500
	HP6 280	0,5÷1	Cu Alloy-Sn	0,3	Sn	1108382	100	1708382	10500
	HP6 280	1,5÷2,5	Cu Alloy-Sn	0,3	Sn	1108383	100	1708383	10500
	HP6 280	0,5÷1	Cu Alloy-Sn	0,3	Ag			1708391	10500
	HP6 280	1,5÷2,5	Cu Alloy-Sn	0,3	Ag			1708392	10500

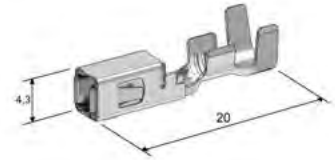
# MINI 280



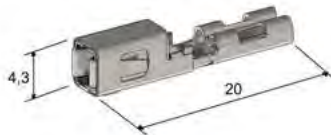
1



2



3



4



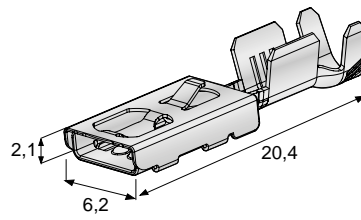
5



6

IMG.	DESCRIPTION	WIRE SECTION mm <sup>2</sup>	WIRE DIAMETER Ømm	MATERIAL	MAT. THICK. mm	TAB / COLOUR	P/N BOX	M.O.Q.	P/N REEL	M.O.Q.
1	MINI F280	0,35÷0,75		CuFe-Sn	0,3		1108330	100	1708330	9000
	MINI F280	1÷2		CuFe-Sn	0,3		1108331	100	1708331	9000
	MINI F280	2,5÷4		CuFe-Sn	0,3		1108332	100	1708332	9000
2	MINI F280 BUS BAR	1÷2		CuFe-Sn	0,3				1708335	12000
	MINI F280 BUS BAR	2,5÷4		CuFe-Sn	0,3				1708336	12000
3	MINI F280 WP	0,35÷0,75		CuFe-Sn	0,3		1108337	100	1708337	9000
	MINI F280 WP	1÷2		CuFe-Sn	0,3		1108338	100	1708338	9000
	MINI F280 WP	2,5÷4		CuFe-Sn	0,3		1108339	100	1708339	9000
4	MINI F280 DOUBLE			CuFe-Sn		Male 2,8	1708334	20000		
5	GASKET		2,2÷3	Silicon		Green	4551747	100	4550747box	10000
	GASKET		1,2÷2,1	Silicon		Red	4551748	100	4550748box	10000
	GASKET		3,1÷3,7	Silicon		Grey	4551749	100	4550749box	10000
6	PLUG			Silicon		Black			4550750box	5000

# F 480E

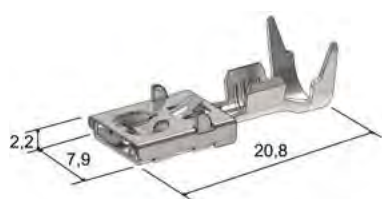


1

IMG	DESCRIPTION	WIRE SECTION mm <sup>2</sup>	MATERIAL	MATERIAL THICKNESS mm	P/N BOX	M.O.Q.	P/N REEL	M.O.Q.
1	F480E	0,5÷1	CuZn-Sn	0,3	1108400	100	1708400	15000
	F480E	1,5÷2,5	Cu Alloy-Sn	0,3	1108401	100	1708401	12000
	F480E	0,35÷0,5	CuZn-Sn	0,3	1108402	100	1708402	16500



# F630E & M630



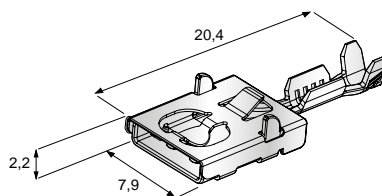
1



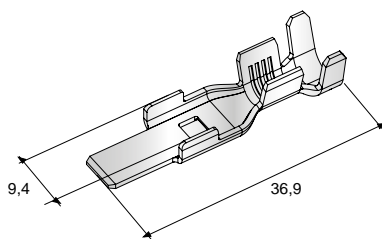
2



3



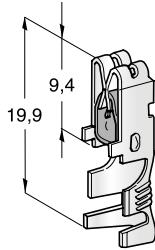
4



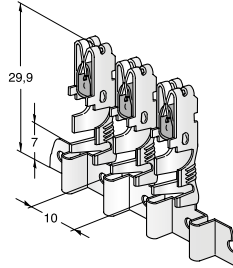
5

IMG.	DES.	WIRE SECTION mm <sup>2</sup>	WIRE DIAMETER Ømm	MATERIAL	MATERIAL THICKNESS mm	TAB	COLOUR	P/N BOX	M.O.Q.	P/N REEL	M.O.Q.
1	F630 E WP	2÷3		Cu Alloy-Sn	0,4	6,3 x 0,8				1708505	5400
	F630 E WP	4÷6		Cu Alloy-Sn	0,4	6,3 x 0,8				1708504	5400
2	M630 WP	2,5÷4		Cu-Sn	0,8					1707995	1700
	M630 WP	6		Cu-Sn	0,8					1707994	1700
3	GASKET		2,7÷3,7	Silicon			Blue	4551901	10000		
	GASKET		4÷4,3	Silicon			Green	4551902	10000		
4	F630 E	0,35÷0,5		CuZn-Sn	0,4	6,3 x 0,8		1108500	100	1708500	10500
	F630 E	0,75÷1,5		CuZn-Sn	0,4	6,3 x 0,8		1108501	100	1708501	9000
	F630 E	2÷3		Cu Alloy-Sn	0,4	6,3 x 0,8		1108502	100	1708502	7500
	F630 E	4÷6		Cu Alloy-Sn	0,4	6,3 x 0,8		1108503	100	1708503	6300
	F630 E	0,75÷1,5		CuZn-Sn	0,4	5,2 x 0,6		1108511	100	1708511	9000
	F630 E	2÷2,5		Cu Alloy-Sn	0,4	5,2 x 0,6		1108512	100	1708512	7500
	F630 E	4÷6		Cu Alloy-Sn	0,4	5,2 x 0,6		1108513	100	1708513	6300
	F630 E	1,5÷2		Cu-Sn	0,8			1107990	20	1707990	3000
5	M630	2,5÷4		Cu-Sn	0,8			1107991	20	1707991	2000
	M630	6÷8		Cu-Sn	0,8			1107992	20	1707992	1900
	M630	10		Cu-Sn	0,8			1107993	20	1707993	1700
	M630			Cu-Sn	0,8						

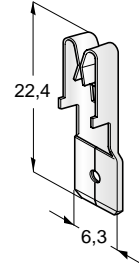
# UNI 630



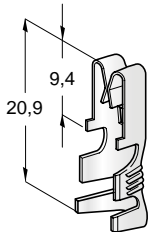
1



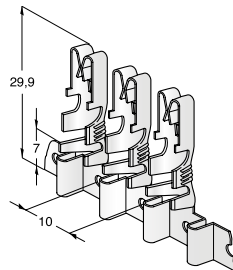
2



3



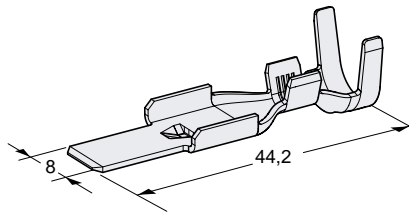
4



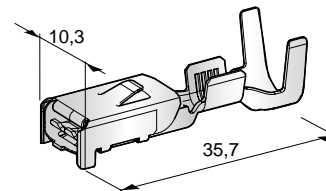
5

IMG	DESCRIPTION	WIRE SECTION mm <sup>2</sup>	MATERIAL	MATERIAL THICKNESS mm	P/N BOX	M.O.Q.	P/N REEL	M.O.Q.
1	UNI F630 WITH CLIP	0,5÷1,5	CuSn-Sn	0,4	1107920	100	1707920	6000
	UNI F630 WITH CLIP	2÷3	CuSn-Sn	0,4	1107930	100	1707930	6000
	UNI F630 WITH CLIP	4÷6	CuNi-Sn	0,4	1107940	50	1707940	5400
2	UNI F630 BUS BAR WITH CLIP	2÷3	CuSn-Sn	0,4			1707932	9000
	UNI F630 BUS BAR WITH CLIP	4÷6	CuNi-Sn	0,4			1707942	9000
3	UNI F630		CuSn-Sn	0,4	1107501	100	1907501box	8000
4	UNI F630	0,5÷1,5	CuSn-Sn	0,4	1107900	100	1707900	6000
	UNI F630	2÷3	CuSn-Sn	0,4			1707902	6000
	UNI F630	4÷6	CuSn-Sn	0,4	1107901	100	1707901	5400
5	UNI F630 BUS BAR	2÷3	CuSn-Sn	0,4			1707912	9000
	UNI F630 BUS BAR	4÷6	CuSn-Sn	0,4			1707911	9000

# MAXI 800 WP



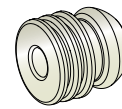
1



2



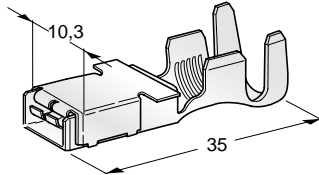
3



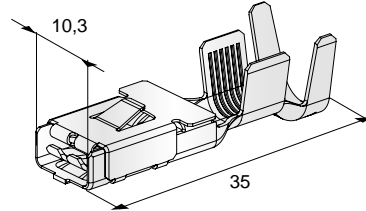
4

IMG	DESCRIPTION	WIRE SECTION mm <sup>2</sup>	WIRE DIAMETER Ømm	MATERIAL	MATERIAL THICKNESS mm	COLOUR	P/N BOX	M.O.Q.	P/N REEL	M.O.Q.
1	WP M800	2,5÷4		Cu-Sn	0,8		1107760	20	1707760	1300
	WP M800	6÷8		Cu-Sn	0,8		1107770	20	1707770	1000
	WP M800	10÷16		Cu-Sn	0,8				1707780	1300
2	WP F800	1,5 ÷ 2,5		CuZn-Sn	0,5		1107400	20	1707400	1300
	WP F800	3 ÷ 6		CuZn-Sn	0,5		1107410	20	1707410	1300
	WP F800	7 ÷ 10		CuNi-Sn	0,5		1107420	20	1707420	1300
3	GASKET		1,9 - 3,3	SILICON		■ Green	4550780	5000		
	GASKET		3,4 - 4,9	SILICON		■ Blue	4550781	5000		
	GASKET		5 - 6,5	SILICON		■ Red	4550782	5000		
4	CAVITY PLUG			SILICON		□ Natural	4550784	5000		

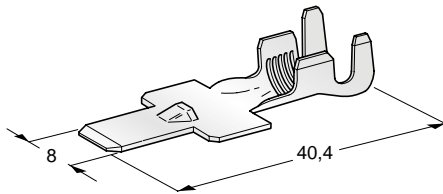
# MAXI 800



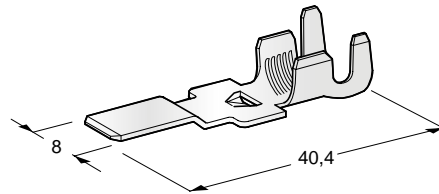
1



2



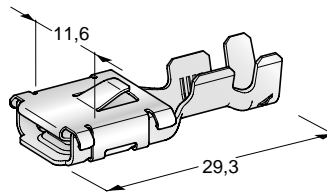
3



4

IMG	DESCRIPTION	WIRE SECTION mm <sup>2</sup>	MATERIAL	MATERIAL THICKNESS mm	P/N BOX	M.O.Q.	P/N REEL	M.O.Q.
1	F800	1,5÷2,5	CuZn-Sn	0,5	1107650	20	1707650	1600
	F800	4÷6	CuZn-Sn	0,5	1107660	20	1707660	1600
	F800	8÷10	CuZn-Sn	0,5	1107670	20	1707670	1300
	F800	8÷10	CuNi-Sn	0,5			1707672	1300
	F800	16	CuNi-Sn	0,5	1107671	20	1707671	1300
2	F800 WITH CLIP	1,5÷2,5	CuZn-Sn	0,5	1107620	20	1707620	2000
	F800 WITH CLIP	4÷6	CuZn-Sn	0,5	1107621	20	1707621	2000
	F800 WITH CLIP	8÷10	CuNi-Sn	0,5	1107622	20	1707622	1300
3	M800	2,5÷4	Cu-Sn	0,8	1107675	20	1707675	2000
	M800	6÷8	Cu-Sn	0,8	1107685	20	1707685	1600
	M800	10÷16	Cu-Sn	0,8	1107690	20	1707690	1300
4	WP M800	2,5÷4	Cu-Sn	0,8	1107700	20	1707700	2000
	WP M800	6÷8	Cu-Sn	0,8	1107710	20	1707710	1600
	WP M800	10÷16	Cu-Sn	0,8	1107720	20	1707720	1400

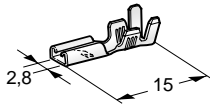
# POWER 950



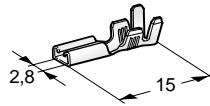
1

IMG	DESCRIPTION	WIRE SECTION mm <sup>2</sup>	MATERIAL	MATERIAL THICKNESS mm	P/N BOX	M.O.Q.	P/N REEL	M.O.Q.
1	F950	2,5÷4	Cu-Sn	0,6	1107740	20	1707740	2000
	F950	6÷8	Cu-Sn	0,6	1107741	20	1707741	1600
	F950	10÷16	Cu-Sn	0,6			1707742	1300

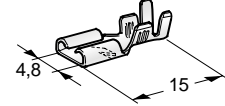
# FASTON



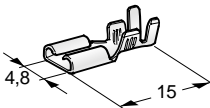
1



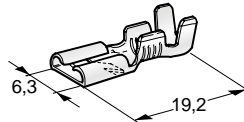
2



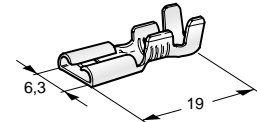
3



4



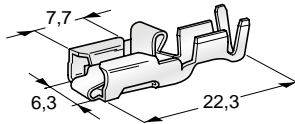
5



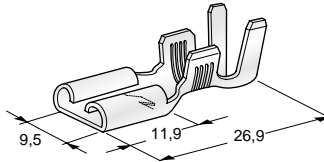
6

IMG	DESCRIPTION	WIRE SECTION mm <sup>2</sup>	MATERIAL THICKNESS mm	MATERIAL	P/N BOX	M.O.Q.	P/N BOX	M.O.Q.	P/N REEL	M.O.Q.
1	F280 WITH LOCKING NOTCH	0,5÷1	0,25	CuZn-Sn	1101700	200				
2	F280	0,3÷1	0,30	CuZn	1301390	2000	1901390	10000		
3	F480 WITH LOCKING NOTCH	0,5÷1	0,32	CuZn-Sn	1101710	100				
4	FASTON F480	0,5÷1	0,33	CuZn	1301391	100	1901391	10000		
5	F630 WITH LOCKING NOTCH	1÷2,5	0,35	CuZn	1301650	5000	1901650	8000		
	F630 WITH LOCKING NOTCH	1÷2,5	0,35	CuZn-Sn	1101650	5000	1911650	8000	1701650	15000
	F630 WITH LOCKING NOTCH	2,5÷6	0,35	CuZn-Sn					1701651	3000
6	F630	0,5÷1,5	0,40	CuZn	1301402	100	1901402	5000		
	F630	1÷2,5	0,35	CuZn-Sn					1701655	15000
	F630	1÷2,5	0,40	CuZn	1301400	10000	1901400	8000	1401400	15000
	F630	1÷2,5	0,40	CuZn-Sn	1101400	200	1911400	8000	1701400	15000

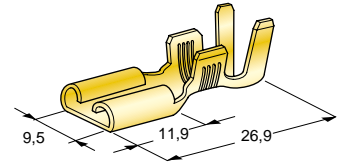
# FASTON



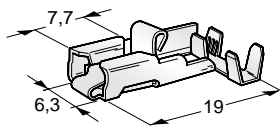
1



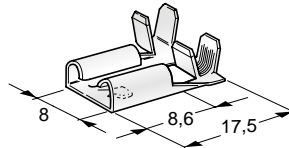
2



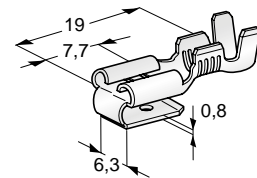
3



4



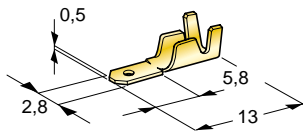
5



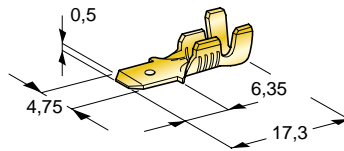
6

IMG	DESCRIPTION	WIRE SECTION mm <sup>2</sup>	MATERIAL THICKNESS mm	MATERIAL	P/N BOX	M.O.Q.
1	ANTISF F630	0,5÷1,5	0,4	CuZn-Sn	1107000	50
	ANTISF F630	2,5÷4	0,4	CuZn-Sn	1107010	50
2	F950 WITH LOCKING NOTCH	6÷10	0,4	CuZn-Sn	1101720	100
3	F950	3÷6	0,4	CuZn	1301420	100
4	ANTISF F630 FLAG	1÷2,5	0,4	CuZn-Sn	1107020	50
5	F800 FLAG WITH LOCKING NOTCH	1÷2,5	0,4	CuZn-Sn	1101680	50
6	630 2WAY	0,8÷2,5	0,4	CuZn-Sn	1301501	100

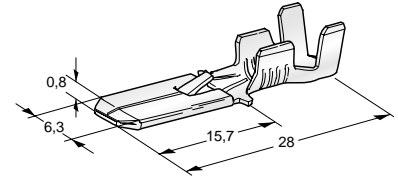
# FASTON



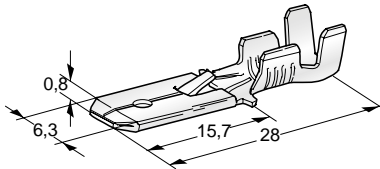
1



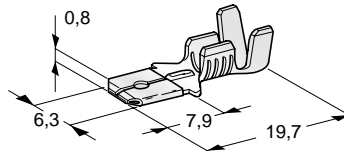
2



3



4

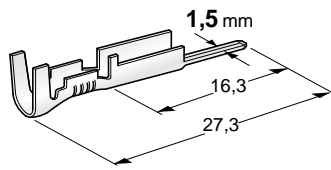


5

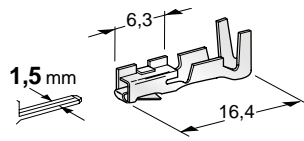
IMG	DESCRIPTION	WIRE SECTION mm <sup>2</sup>	MATERIAL THICKNESS mm	MATERIAL	P/N BOX	M.O.Q.	P/N REEL	M.O.Q.
1	M280	0,5÷1	0,5	CuZn	1301418	200	1901418box	5000
2	M480	0,3÷1	0,5	CuZn	1301417	200	1901417box	5000
3	M630 WITH LOCKING NOTCH	0,75÷2	0,4	CuZn-Sn	1101660	100	1701660	3500
	M630 WITH LOCKING NOTCH	0,75÷2	0,4	CuZn	1301660	5000		
	M630 WITH LOCKING NOTCH	0,75÷2	0,4	CuZn	1901660	5000		
	M630 WITH LOCKING NOTCH	4÷6	0,4	CuZn-Sn	1101662	100		
4	M630 WITH LOCKING NOTCH	1÷2,5	0,4	CuZn	1301665	100	1901665box	5000
5	M630	0,5÷1	0,4	CuZn	1301411	100	1901411box	5000
	M630	1÷2,5	0,4	CuZn-Sn	1101412	100		
	M630	1÷2,5	0,4	CuZn-Sn	1951194	5000		
	M630	1÷2,5	0,4	CuZn	1301412	100	1901412box	5000



# FOR SEAL CONNECTORS



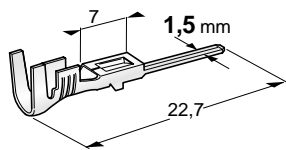
1



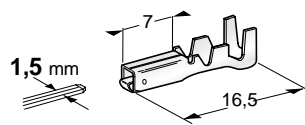
2



3



4



5



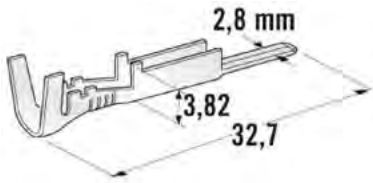
6



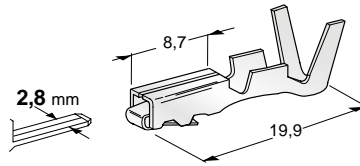
7

IMG	DESCRIPTION	WIRE SECTION mm <sup>2</sup>	MATERIAL THICKNESS mm	MATERIAL	COLOUR	P/N BOX	M.O.Q.	P/N REEL	M.O.Q.
1	METRIPACK M150	0,5÷1	0,4	CuZn-Sn		1105510	100		
2	METRIPACK F150	0,5÷1	0,4	CuZn-Sn		1105500	100		
3	RUBBER	0,5÷1	-	Silicon	Red	4407530	100		
4	S-SEAL M150	1÷1,5	0,32	CuZn-Sn		1105550	100	1705550	4000
5	S-SEAL F150	1÷1,5	0,3	CuZn-Sn		1105560	100	1705560	4000
6	RUBBER	0,5÷1	-	Silicon	Yellow	4407740	100	4507740box	10000
7	CAVITY PLUG		-	Silicon	Red	4407750	100		

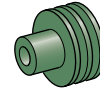
# FOR SEAL CONNECTORS



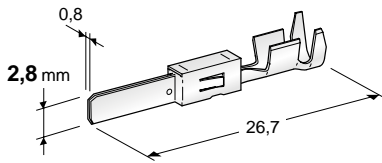
1



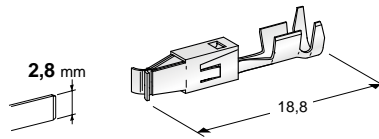
2



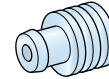
3



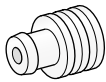
4



5



6



7

IMG	DESCRIPTION	WIRE SECTION mm <sup>2</sup>	MATERIAL THICKNESS mm	MATERIAL	COLOUR	P/N BOX	M.O.Q.	P/N REEL	M.O.Q.
1	METRIPACK M280	1÷2,5	0,4	CuSn-Sn		1104500	50	1704500	3500
2	METRIPACK F280	1÷2,5	0,4	CuSn-Sn		1104510	100	1704510	3200
3	RUBBER	1÷2,5		Silicon	■ Green	4407510	100	4507510box	5000
4	JPT-WP M280	0,5÷1,5	0,32	CuSn-Sn		1108290	100		
	JPT-WP M280	1,5÷2,5	0,32	CuSn-Sn		1108300	100		
5	JPT-WP F280	0,5÷1	0,32	CuSn-Sn		1108260	100		
	JPT-WP F280	1÷2,5	0,32	CuSn-Sn		1108270	100		
6	RUBBER	0,5÷1		Silicon	■ Azure	4510662	100		
7	RUBBER	1,5÷2,5		Silicon	□ White	4510658	100		



# FOR MPT WP TERMINALS



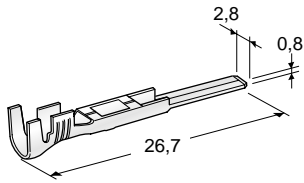
1



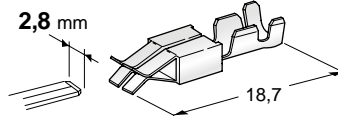
2

IMG	DESCRIPTION	WIRE SECTION mm <sup>2</sup>	MATERIAL	COLOUR	P/N BOX	M.O.Q.	
<b>NEW</b>	1	GASKET FOR MPT TERMINALS	2,5÷4	Silicon	 Yellow	4551903	4000
<b>NEW</b>	2	SEALING PLUG MPT TERMINALS	-	Silicon	 White	4423721	5000

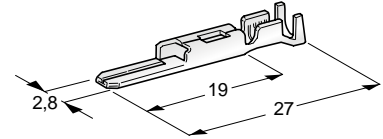
# FOR SPECIAL CONNECTORS



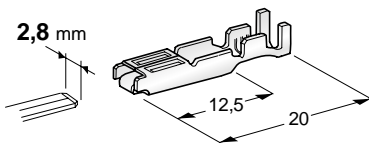
1



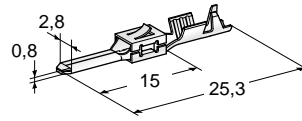
2



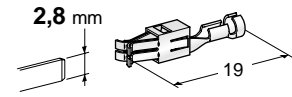
3



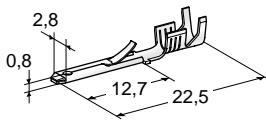
4



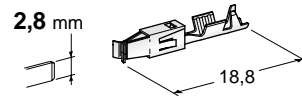
5



6



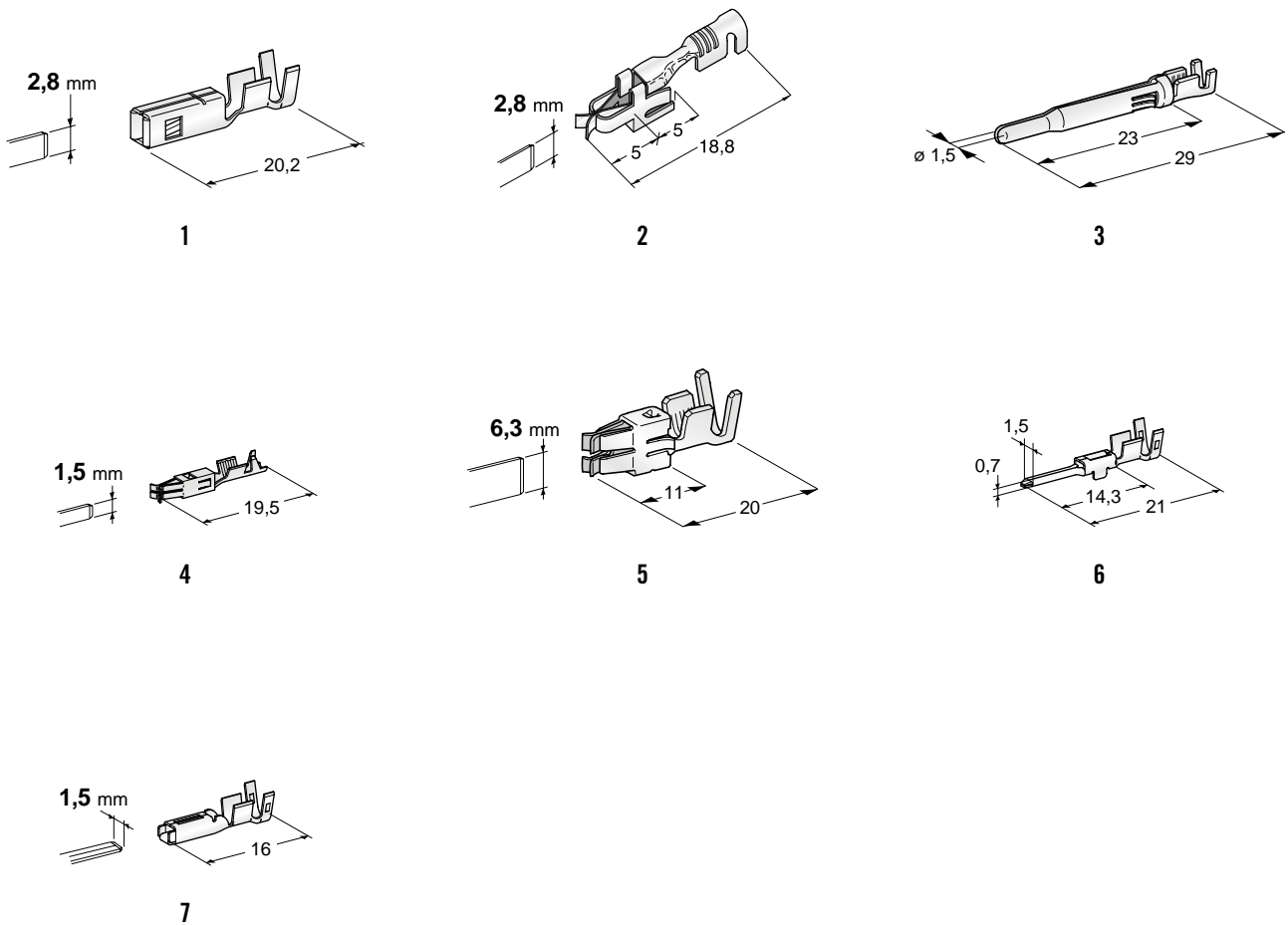
7



8

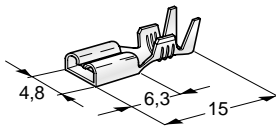
IMG	DESCRIPTION	WIRE SECTION mm <sup>2</sup>	MATERIAL THICKNESS mm	MATERIAL	P/N BOX	M.O.Q.
1	JT M280	0,35÷1	0,32	CuSn-Sn	1108280	100
2	JT F280	0,5÷1,5	0,32	CuSn-Sn	1107210	200
	JT F280	1,5÷2,5	0,32	CuSn-Sn	1107211	100
3	MARK II M280	0,5÷1,5	0,40	CuSn-Sn	1102010	200
4	MARK II F280	0,5÷1,5	0,40	CuSn-Sn	1102000	100
5	M280	0,5÷1	0,30	CuFe-Sn	1108030	50
6	F280	0,5÷1	0,30	CuFe-Sn	1108050	100
7	DIN 46343 FOR CAR RADIO	0,5÷1	0,38	CuSn-Sn	1108060	100
8	JPT F280	0,2÷0,5	0,32	CuSn-Sn	1105615	100
	JPT F280	0,5÷1	0,32	CuSn-Sn	1105620	100
	JPT F280	1,5÷2,5	0,32	CuSn-Sn	1105630	100

# FOR SPECIAL CONNECTORS

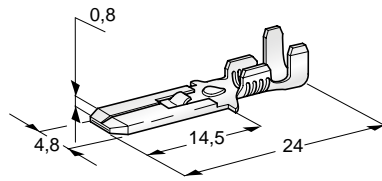


IMG	DESCRIPTION	WIRE SECTION mm <sup>2</sup>	MATERIAL THICKNESS mm	MATERIAL	P/N BOX	M.O.Q.
1	SICMA2 F280	0,35÷0,75	0,35	CuZn-Sn	1105660	100
	SICMA2 F280	1÷2,5	0,35	CuZn-Sn	1105670	100
2	JPT F280	0,5÷1	0,40	CuZn-Sn	1107209	100
	JPT F280	1,5÷2,5	0,40	CuZn-Sn	1107212	100
3	MFS M150	0,5÷1	0,30	CuZn-Sn	1108010	100
4	MKF F150	0,5÷1	0,30	CuZn-Sn	1108020	100
5	SPT F630	2,5÷4	0,40	CuZn-Sn	1102050	100
6	O70 M150	0,75÷1,5	0,30	CuZn-Sn	1108080	100
7	O70 F150	0,75÷1,5	0,30	CuZn-Sn	1108070	100

# PITCH 5



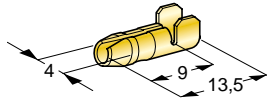
1



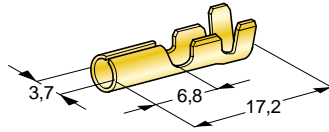
2

IMG	DESCRIPTION	WIRE SECTION mm <sup>2</sup>	MATERIAL THICKNESS mm	MATERIAL	P/N BOX	M.O.Q.	P/N REEL	M.O.Q.
1	PITCH 5 F480	0,5÷1,5	0,35	CuZn-Sn	1101940	100	1701940	12000
2	PITCH 5 M480 WITH LOCKING NOTCH	0,5÷1,5	0,40	CuZn-Sn	1101950	100		

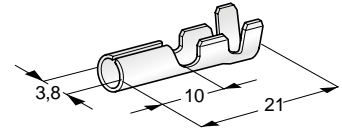
# PIN



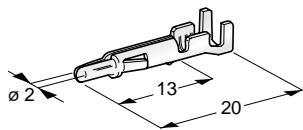
1



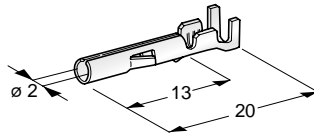
2



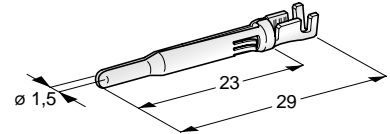
3



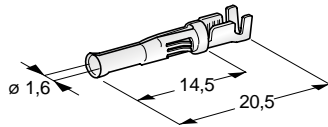
4



5



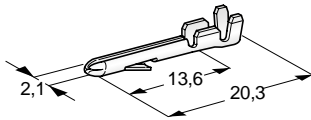
6



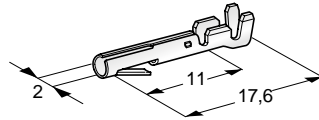
7

IMG	DESCRIPTION	WIRE SECTION mm <sup>2</sup>	MATERIAL THICKNESS mm	MATERIAL	P/N BOX	M.O.Q.
1	PIN TERMINAL L13 M4	1÷2,5	0,40	CuZn	1201000	100
2	PIN TERMINAL L17 F4	1÷2,5	0,40	CuZn	1201070	100
3	PIN TERMINAL L21 F4	0,5÷2,5	0,40	CuZn	1201110	100
4	MATE-N-LOCK M2	0,5÷2,5	0,30	CuZn-Sn	1201210	200
5	MATE-N-LOCK F2	0,5÷2,5	0,30	CuZn-Sn	1201200	200
6	ECONOSEAL M15	0,5÷1,5	0,30	CuZn-Sn	1201230	200
7	ECONOSEAL F15	0,5÷1,5	0,30	CuZn-Sn	1201220	200

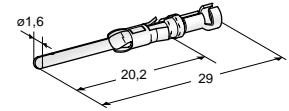
# PIN



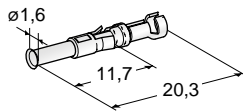
1



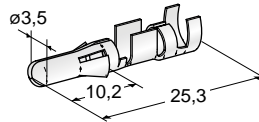
2



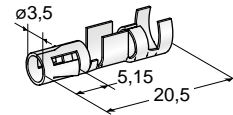
3



4



5

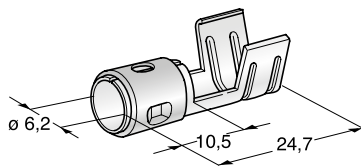


6

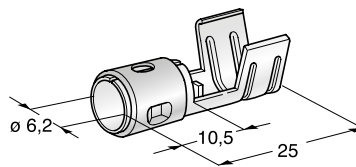
IMG	DESCRIPTION	WIRE SECTION mm <sup>2</sup>	MATERIAL THICKNESS mm	MATERIAL	P/N BOX	M.O.Q.
1	PIN TERMINAL L20 M2.1 FOR WATER TEMPERATURE	0,5÷1	0,32	CuZn-Sn	1201150	200
2	PIN TERMINAL L17 F2	0,5÷1	0,32	CuZn-Sn	1201160	200
3	PIN TERMINAL L29 M1.6	0,5÷1	0,35	CuSn-Sn	1107960	100
4	PIN TERMINAL L20 F1.6	0,5÷1	0,35	CuSn-Sn	1107970	100
5	PIN TERMINAL L25 M3.5	4÷6	0,35	CuSn-Sn	1107980	50
6	PIN TERMINAL L20 F3.5	2,5÷6	0,35	CuSn-Sn	1108000	50



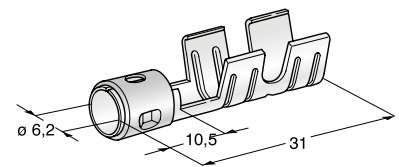
# IGNITION CABLES



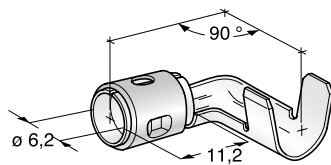
1



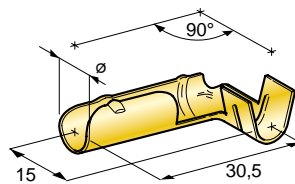
2



3



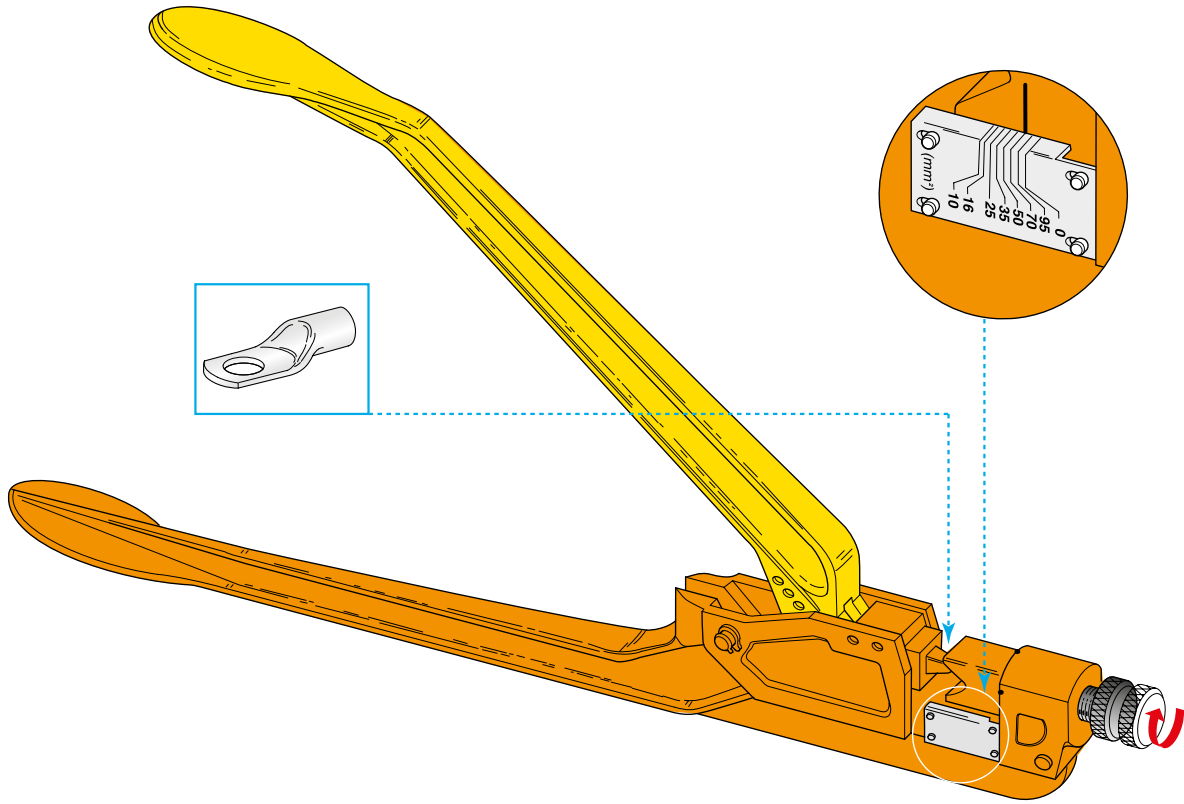
4



5

IMG	DESCRIPTION	WIRE SECTION mm <sup>2</sup>	φ mm	MATERIAL	MATERIAL THICKNESS mm	P/N REEL	M.O.Q.
1	PLUG TERMINAL WITH CLIP	7	6,2	St AISI 430	0,5	1400860	2000
2	PLUG TERMINAL WITH CLIP	7	6,2	St AISI 430	0,5	1400865	2000
3	PLUG TERMINAL WITH CLIP	7	6,2	St AISI 430	0,5	1400850	2000
4	PLUG TERMINAL 90° WITH CLIP	7	6,2	St AISI 430	0,5	1400862	1000
5	COIL - DISTRIBUTOR TERMINAL 90°	7	8,3	CuZn 67	0,5	1400880	1250

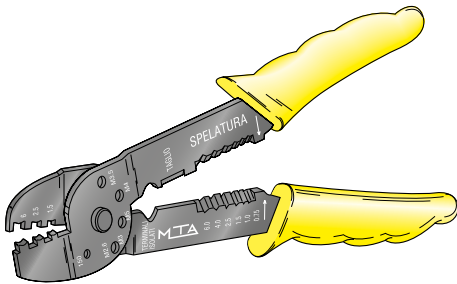
# CRIMPING TOOLS



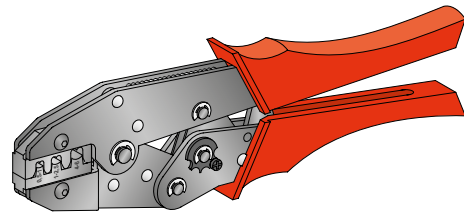
1

IMG	DESCRIPTION	WIRE SECTION mm <sup>2</sup>	LENGTH mm	WEIGHT g	P/N BOX	M.O.Q.
1	TOOL FOR TUBULAR TERMINALS	10÷95	565÷585	2916	9602490	1

## CRIMPING TOOLS



1



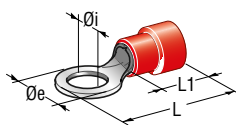
2

IMG	DESCRIPTION	WIRE SECTION mm <sup>2</sup>	P/N BOX	M.O.Q.
1	CRIMPING TOOL	1,5÷6	9602450	1
2	CRIMPING TOOL - PROFESSIONAL TYPE	0,5÷6	9602455	1

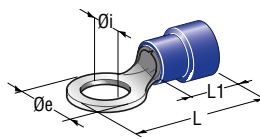
# INSULATED TERMINALS



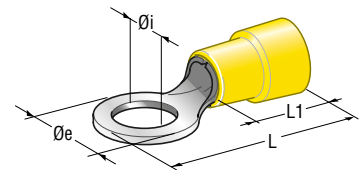
# RING



1



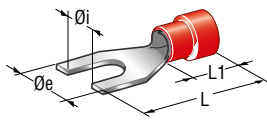
2



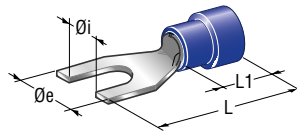
3

IMG	DESCRIPTION	WIRE SECTION mm <sup>2</sup>	$\varnothing_i$ mm	$\varnothing_e$ mm	L mm	L <sub>1</sub> mm	MATERIAL	MATERIAL THICKNESS mm	P/N BOX	M.O.Q.
1	RING	0,25-1÷1	3,2	5,5	18,0	10,5	Cu-Sn PA66	0,75	1853050	100
		0,25-1÷1	3,7	5,5	18,0	10,5	Cu-Sn PA66	0,75	1853060	100
		0,25-1÷1	4,3	6,6	20,1	10,5	Cu-Sn PA66	0,75	1853070	100
		0,25-1÷1	5,3	8,0	21,5	10,5	Cu-Sn PA66	0,75	1853150	100
		0,25-1÷1	6,4	11,6	27,4	10,5	Cu-Sn PA66	0,75	1853200	100
2	RING	0,25-1÷1	8,4	11,6	27,4	10,5	Cu-Sn PA66	0,75	1853250	100
		1÷2,5	4,3	8,5	23,0	11,0	Cu-Sn PA66	0,80	1857100	100
		1÷2,5	5,3	8,5	23,0	11,0	Cu-Sn PA66	0,80	1857150	100
		1÷2,5	6,4	12,0	28,0	11,0	Cu-Sn PA66	0,80	1857200	100
		1÷2,5	8,4	12,0	28,0	11,0	Cu-Sn PA66	0,80	1857250	100
3	RING	2,5÷6	4,3	7,2	23,5	14,0	Cu-Sn PA66	1	1863100	50
		2,5÷6	5,3	9,5	27,0	14,0	Cu-Sn PA66	1	1863150	50
		2,5÷6	6,4	12,0	30,5	14,0	Cu-Sn PA66	1	1863200	50
		2,5÷6	8,4	15,0	35,2	14,0	Cu-Sn PA66	1	1863250	50
		2,5÷6	10,4	15,0	35,2	14,0	Cu-Sn PA66	1	1863300	50

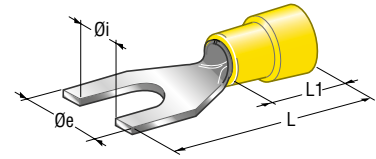
# FORK



1



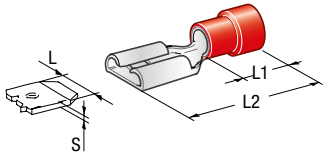
2



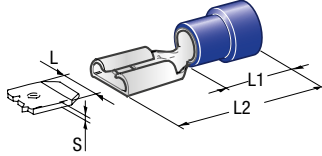
3

IMG	DESCRIPTION	WIRE SECTION mm <sup>2</sup>	$\varnothing_i$ mm	$\varnothing_e$ mm	L mm	L1 mm	MATERIAL	MATERIAL THICKNESS mm	P/N BOX	M.O.Q.
1	FORK	0,25÷1	4,3	6,4	21,5	10,5	Cu-Sn PA66	0,75	1865100	100
		0,25÷1	5,3	9,5	22,2	10,5	Cu-Sn PA66	0,75	1865200	100
2	FORK	1÷2,5	4,3	6,4	22,7	11	Cu-Sn PA66	0,80	1866100	100
		1÷2,5	6,4	12,0	28,4	11	Cu-Sn PA66	0,80	1866300	100
3	FORK	2,5÷6	4,3	8,3	27,0	14	Cu-Sn PA66	1	1867000	50
		2,5÷6	5,3	9,5	26,7	14	Cu-Sn PA66	1	1867100	50
		2,5÷6	6,4	12,0	32,7	14	Cu-Sn PA66	1	1867200	50

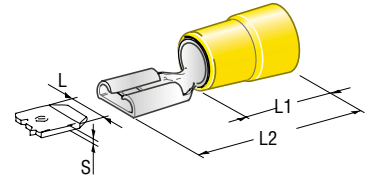
# PUSH ON



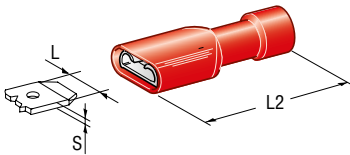
1



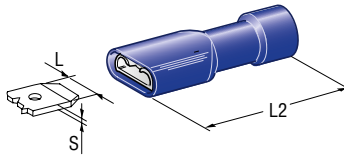
2



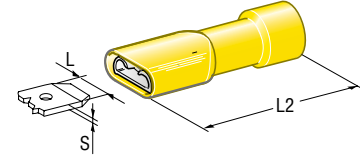
3



4



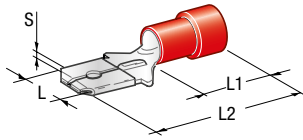
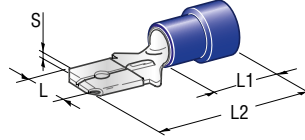
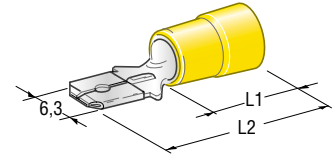
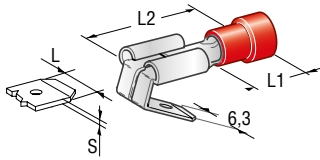
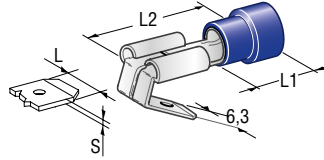
5



6

IMG	DESCRIPTION	WIRE SECTION mm <sup>2</sup>	S mm	L mm	L1 mm	L2 mm	MATERIAL	MATERIAL THICKNESS mm	P/N BOX	M.O.Q.
1	PUSH ON	0,25÷1	0,5	2,8	10,0	18,5	CuZn-Sn PVC	0,30	1850200	100
		0,25÷1	0,8	2,8	10,0	18,5	CuZn-Sn PVC	0,30	1850400	100
		0,25÷1	0,5	4,7	10,0	19,0	CuZn-Sn PVC	0,40	1850500	100
		0,25÷1	0,8	4,7	10,0	19	CuZn-Sn PVC	0,40	1850300	100
		0,25÷1	0,8	6,3	12,0	21	CuZn-Sn PVC	0,40	1851000	100
2	PUSH ON	1÷2,5	0,5	2,8	10,0	19	CuZn-Sn PVC	0,30	1854200	100
		1÷2,5	0,8	2,8	10,0	19	CuZn-Sn PVC	0,30	1854400	100
		1÷2,5	0,5	4,7	10,0	19	CuZn-Sn PVC	0,40	1854500	100
		1÷2,5	0,8	6,3	12,0	21,0	CuZn-Sn PVC	0,40	1855000	100
		2,5÷6	0,8	6,3	13,0	22,4	CuZn-Sn PVC	0,40	1861000	50
3	PUSH ON	2,5÷6	1,1	9,5	14,0	30,0	CuZn-Sn PVC	0,40	1863000	50
		0,25÷1	0,5	4,7	-	21,5	CuZn-Sn PVC	0,40	1851400	100
4	PUSH ON	0,25÷1	0,8	6,3	-	23,5	CuZn-Sn PVC	0,40	1851500	100
		1÷2,5	0,5	4,7	-	21,5	CuZn-Sn PVC	0,40	1855400	100
5	PUSH ON	1÷2,5	0,8	6,3	-	23,5	CuZn-Sn PVC	0,40	1855500	100
		2,5÷6	0,8	6,3	-	24,0	CuZn-Sn PVC	0,40	1860500	50
6	PUSH ON	2,5÷6	0,8	6,3	-	24,0	CuZn-Sn PVC	0,40	1860500	50

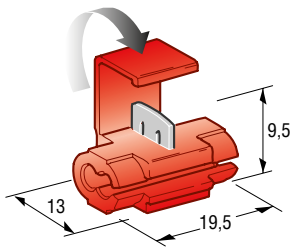
# PUSH ON


**1**

**2**

**3**

**4**

**5**

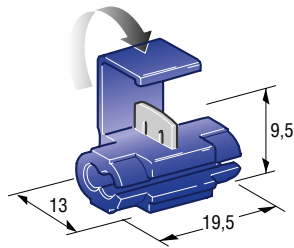
IMG	DESCRIPTION	WIRE SECTION mm <sup>2</sup>	S mm	L mm	L1 mm	L2 mm	MATERIAL	MATERIAL THICKNESS mm	P/N BOX	M.O.Q.
1	PUSH ON	0,25÷1	-	2,8	10	17,0	CuZn-Sn PVC	0,80	1850450	100
		0,25÷1	-	6,3	12	21,0	CuZn-Sn PVC	0,80	1852000	100
2	PUSH ON	1÷2,5	-	4,7	10	19,5	CuZn-Sn PVC	0,50	1854550	100
		1÷2,5	-	6,3	12	21,0	CuZn-Sn PVC	0,80	1856000	100
3	PUSH ON	2,5÷6	-	6,3	13	22,5	CuZn-Sn PVC	0,80	1862000	100
4	PIGGY BACK	0,25÷1	0,8	6,3	10	20,8	CuZn-Sn PVC	0,40	1852500	50
5	PIGGY BACK	1÷2,5	0,8	6,3	10	20,8	CuZn-Sn PVC	0,40	1862500	50



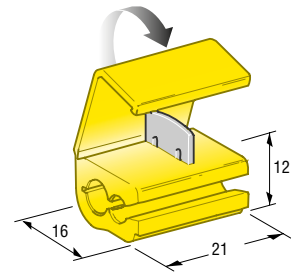
# SELF STRIPPING



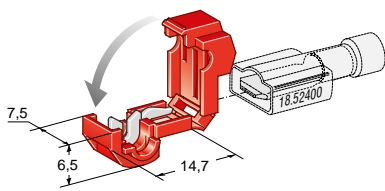
1



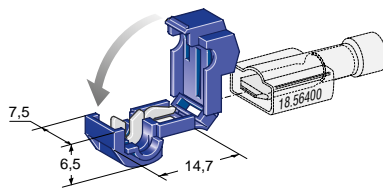
2



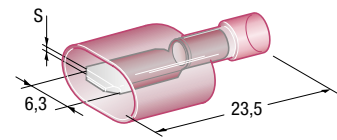
3



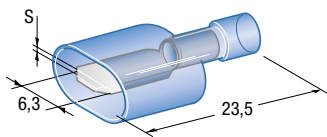
4



5



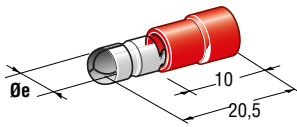
6



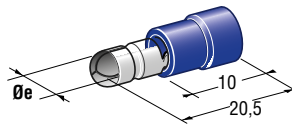
7

IMG	DESCRIPTION	WIRE SECTION mm <sup>2</sup>	MATERIAL	MATERIAL THICKNESS mm	P/N BOX	M.O.Q.	P/N BULK	M.O.Q.
1	SELF-STRIPPING	0,25÷1	CuZn-Sn PP	-	4410090	100	4510090	10000
2	SELF-STRIPPING	1÷2,5	CuZn-Sn PP	-	4410091	100	4510091	10000
3	SELF-STRIPPING	2,5÷6	CuZn-Sn PP	-	4410092	50		
4	T-CONNECTIONS	0,25÷1	CuZn-Sn PA66 V094	-	4410096	50	4510096	1000
5	T-CONNECTIONS	1÷2,5	CuZn-Sn PA66 V094	-	4410097	100		
6	M630	0,25÷1	CuZn-Sn PVC	0,80	1852400	50		
7	M630	1÷2,5	CuZn-Sn PVC	0,80	1856400	50		

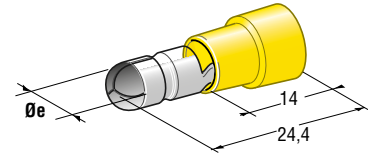
# BULLET



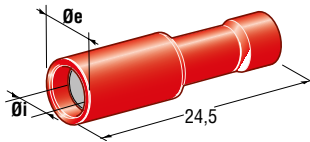
1



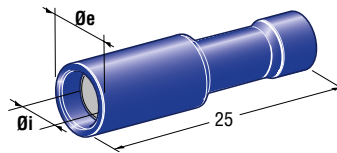
2



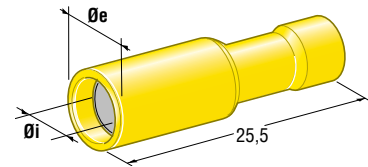
3



4



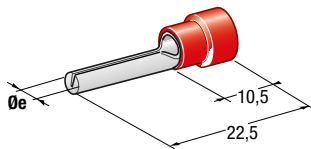
5



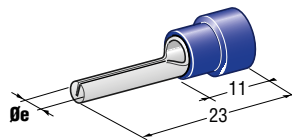
6

IMG	DESCRIPTION	WIRE SECTION mm <sup>2</sup>	Ø i mm	Ø e mm	MATERIAL	MATERIAL THICKNESS mm	P/N BOX	M.O.Q.
1	MALE BULLET	0,25÷1	-	4,0	CuZn-Sn PVC	0,40	1864000	100
2	MALE BULLET	1÷2,5	-	4,0	CuZn-Sn PVC	0,40	1864300	100
		1÷2,5	-	5,0	CuZn-Sn PVC	0,40	1864500	100
3	MALE BULLET	2,5÷6	-	5,0	CuZn-Sn PVC	0,40	1864700	100
4	FEMALE BULLET	0,25÷1	3,86	6,3	CuZn-Sn PVC	0,40	1864100	100
5	FEMALE BULLET	1÷2,5	3,86	6,3	CuZn-Sn PVC	0,40	1864400	100
		1÷2,5	4,85	7,0	CuZn-Sn PVC	0,40	1864600	50
6	FEMALE BULLET	2,5÷6	4,85	7,0	CuZn-Sn PVC	0,40	1864800	50

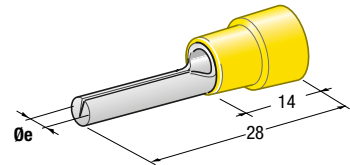
## PIN & BUTT



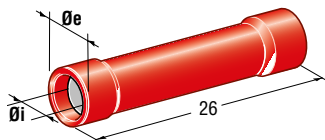
1



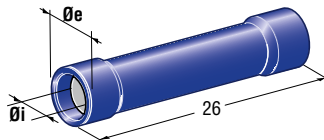
2



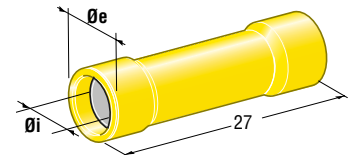
3



4



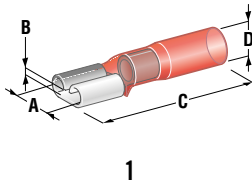
5



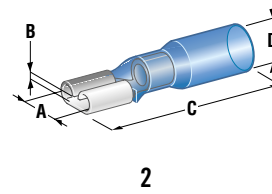
6

IMG	DESCRIPTION	WIRE SECTION mm <sup>2</sup>	$\varnothing i$ mm	$\varnothing e$ mm	MATERIAL	MATERIAL THICKNESS mm	P/N BOX	M.O.Q.
1	PIN	0,25÷1	-	1,9	CuZn-Sn PA66	0,75	1869000	100
2	PIN	1÷2,5	-	1,9	CuZn-Sn PA66	0,80	1869100	100
3	PIN	2,5÷6	-	2,7	CuZn-Sn PA66	1	1869200	100
4	BUTT	0,25÷1	1,70	4,0	CuZn-Sn PVC	0,40	1868000	100
5	BUTT	1÷2,5	2,30	4,6	CuZn-Sn PVC	0,40	1868100	100
6	BUTT	2,5÷6	3,40	6,4	CuZn-Sn PVC	0,40	1868200	50

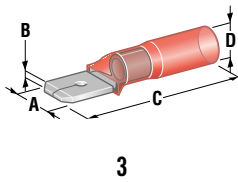
# HEAT SHRINK



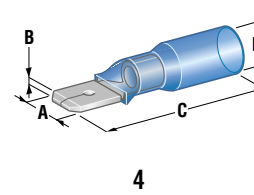
1



2



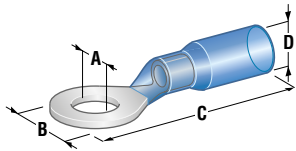
3



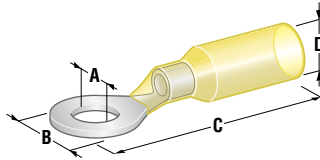
4

IMG	DESCRIPTION	WIRE SECTION mm <sup>2</sup>	A mm	B mm	C mm	D mm	MATERIAL	MATERIAL THICKNESS mm	P/N BOX	M.O.Q.
1	HEAT SHRINK WP F630	0,25÷1	6,35	0,8	27	4,2	CuZn-Sn PE	0,40	1880300	100
2	HEAT SHRINK WP F630	1,25÷2,5	6,35	0,8	28	4,9	CuZn-Sn PE	0,40	1880310	100
3	HEAT SHRINK WP M630	0,75÷1,25	6,35	0,8	27	4,2	CuZn-Sn PE	-	1880280	100
4	HEAT SHRINK WP M630	1,25÷2,5	6,35	0,8	28	4,9	CuZn-Sn PE	-	1880290	100

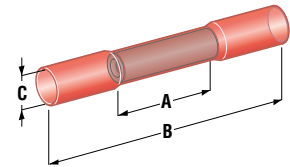
# HEAT SHRINK



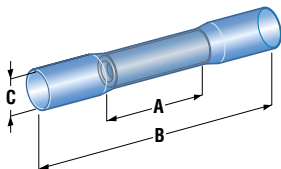
1



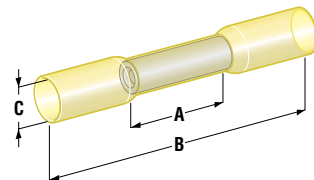
2



3



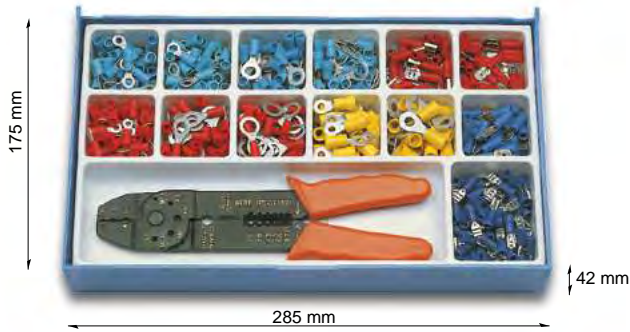
4



5

IMG	DESCRIPTION	WIRE SECTION mm <sup>2</sup>	A mm	B mm	C mm	D mm	MATERIAL	MATERIAL THICKNESS mm	P/N BOX	M.O.Q.
1	RING	1,25÷2,50	4,30	8,5	28	4,9	Cu-Sn PE	0,8	1880060	100
		1,25÷2,50	5,30	9,5	29	4,9	Cu-Sn PE	0,8	1880070	100
		1,25÷2,50	6,40	12,0	33	4,9	Cu-Sn PE	0,8	1880080	100
		1,25÷2,50	8,40	12,0	34	4,9	Cu-Sn PE	0,8	1880090	100
		1,25÷2,50	10,50	15,0	37	4,9	Cu-Sn PE	0,8	1880100	100
2	RING	2,5÷6	5,30	9,5	34	6,4	Cu-Sn PE	1,0	1880120	50
		2,5÷6	6,40	12,0	37	6,4	Cu-Sn PE	1,0	1880130	50
		2,5÷6	8,40	15,0	43	6,4	Cu-Sn PE	1,0	1880140	50
		2,5÷6	10,50	15,0	43	6,4	Cu-Sn PE	1,0	1880150	50
3	BUTT	0,75÷1,25	15,00	37,0	4,2	-	Cu-Sn PE	0,8	1880230	100
4	BUTT	1,25÷2,50	15,00	37,0	4,9	-	Cu-Sn PE	0,8	1880240	100
5	BUTT	2,5÷6	15,00	41,0	6,4	-	Cu-Sn PE	0,8	1880250	50

# KITS



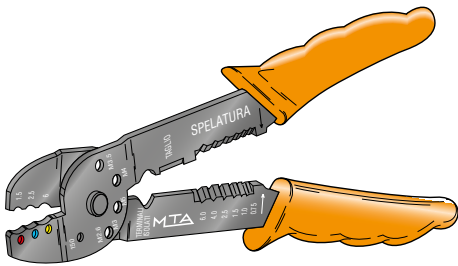
1



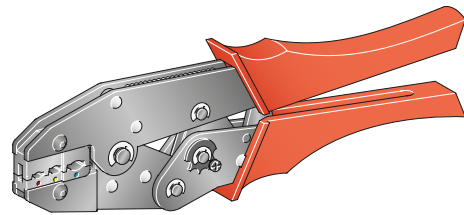
2

IMG	DESCRIPTION	PCS	COLOUR		P/N BOX	M.O.Q.
1	RING TERMINAL $\varnothing$ 4,3	50	Red		1860000	1
	RING TERMINAL $\varnothing$ 5,3	50	Red			
	RING TERMINAL $\varnothing$ 6,4	40	Red			
	RING TERMINAL $\varnothing$ 4,3	50	Blue			
	RING TERMINAL $\varnothing$ 5,3	40	Blue			
	RING TERMINAL $\varnothing$ 6,4	40	Blue			
	RING TERMINAL $\varnothing$ 8,4	30	Blue			
	RING TERMINAL $\varnothing$ 6,4	20	Yellow			
	RING TERMINAL $\varnothing$ 8,4	20	Yellow			
	MALE TERMINAL 6,3	40	Red			
	MALE TERMINAL 6,3	40	Blue			
	FEMALE TERMINAL 6,3	40	Red			
	FEMALE TERMINAL 6,3	70	Blue			
	CRIMPING TOOL 9602460	1				
2	RING TERMINAL $\varnothing$ 4,3	40	Red		1606855	1
	RING TERMINAL $\varnothing$ 5,3	40	Red			
	RING TERMINAL $\varnothing$ 4,3	40	Blue			
	RING TERMINAL $\varnothing$ 5,3	40	Blue			
	RING TERMINAL $\varnothing$ 6,4	40	Blue			
	RING TERMINAL $\varnothing$ 8,4	25	Yellow			
	FEMALE TERMINAL 6,3	40	Red			
	FEMALE TERMINAL 6,3	40	Blue			

## CRIMPING TOOLS



1



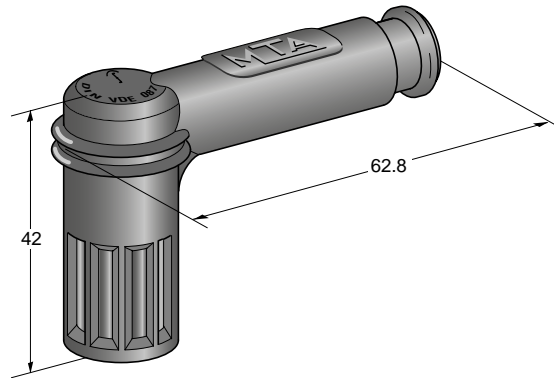
2

IMG	DESCRIPTION	WIRE SECTION mm <sup>2</sup>	P/N BOX	M.O.Q.
1	CRIMPING TOOL	0,25÷6	9602460	1
2	CRIMPING TOOL - PROFESSIONAL TYPE	0,25÷6	9602500	1



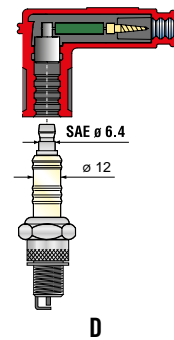
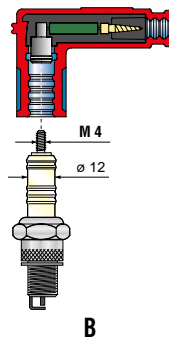
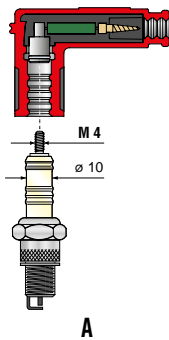


# SPARK PLUGS

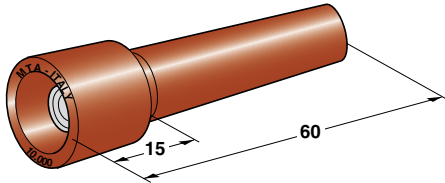


1

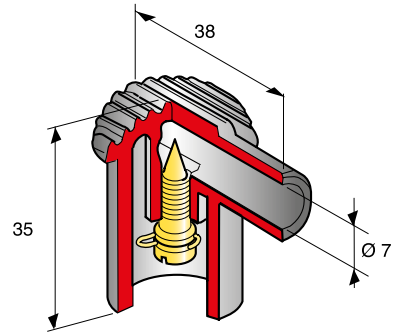
IMG	DESCRIPTION	SPARK PLUG	RESISTANCE $\Omega$	MATERIAL	COLOUR	P/N BOX	M.O.Q.	P/N BULK	M.O.Q.
1	SPARK PLUG	A	5000	EPDM	Black	1000900	5		
	SPARK PLUG	B	5000	EPDM	Blue	1000910	5		
	SPARK PLUG	D	5000	EPDM	Black	1000930	5	1900930	500
	SPARK PLUG	D	5000	EPDM	Red			1900940	500



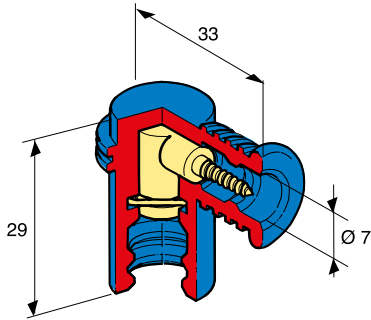
# SPARK PLUGS



1

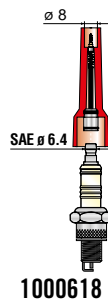


2

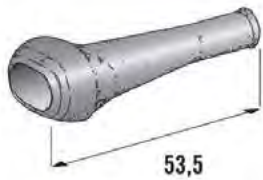


3

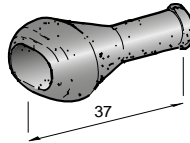
IMG	DESCRIPTION	MATERIAL	RESISTANCE Ω	CABLE mm	P/N BOX	M.O.Q.
1	SUPPRESSOR WITH WIRE WOUND RESISTOR	PBT GF20	5000	-	1000618	50
2	SPARK PLUG	PVC CuZn	-	7	1200580	50
3	SPARK PLUG	EPDM CuZn	-	7	1200590	50
	SPARK PLUG	EPDM CuZn	-	7	1900590	1000



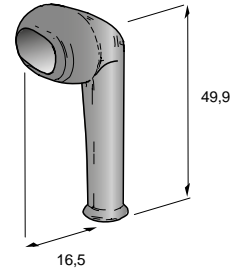
# CAPS



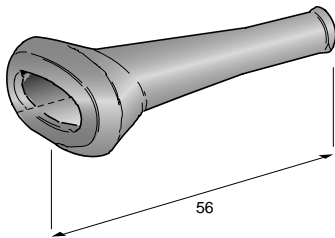
1



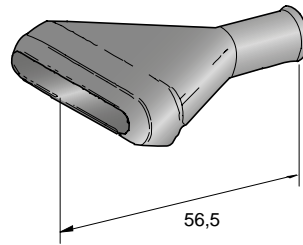
2



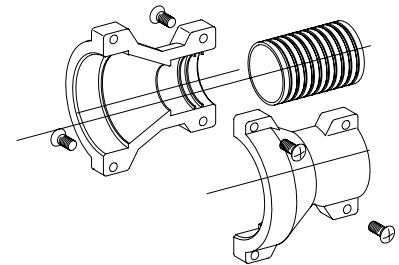
3



4



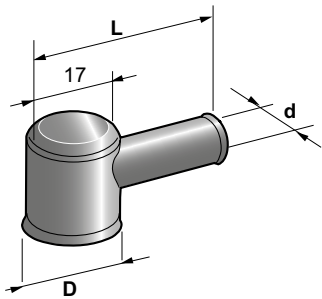
5



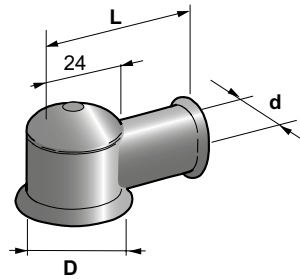
6

IMG	DESCRIPTION	WAY	∅ mm	MATERIAL	COLOUR	P/N BOX	M.O.Q.	P/N BULK	M.O.Q.
1	CAP FOR CONNECTOR JT	2		Rubber	■ Black	4420901	10	4520901	500
2	CAP FOR CONNECTOR JT	2		Rubber	■ Black	4420902	10	4520902	500
3	CAP FOR CONNECTOR JPT	2		Rubber	■ Black	4420911	10	4520911	500
4	CAP FOR CONNECTOR JPT	3		Rubber	■ Black	4420921	10	4520921	500
5	CAP FOR CONNECTOR JT	7		Rubber	■ Black	4420931	5	4520931	500
6	ADAPTOR FOR CONNECTORS		44,6	PA66	■ Black			4551575	500

# CAPS

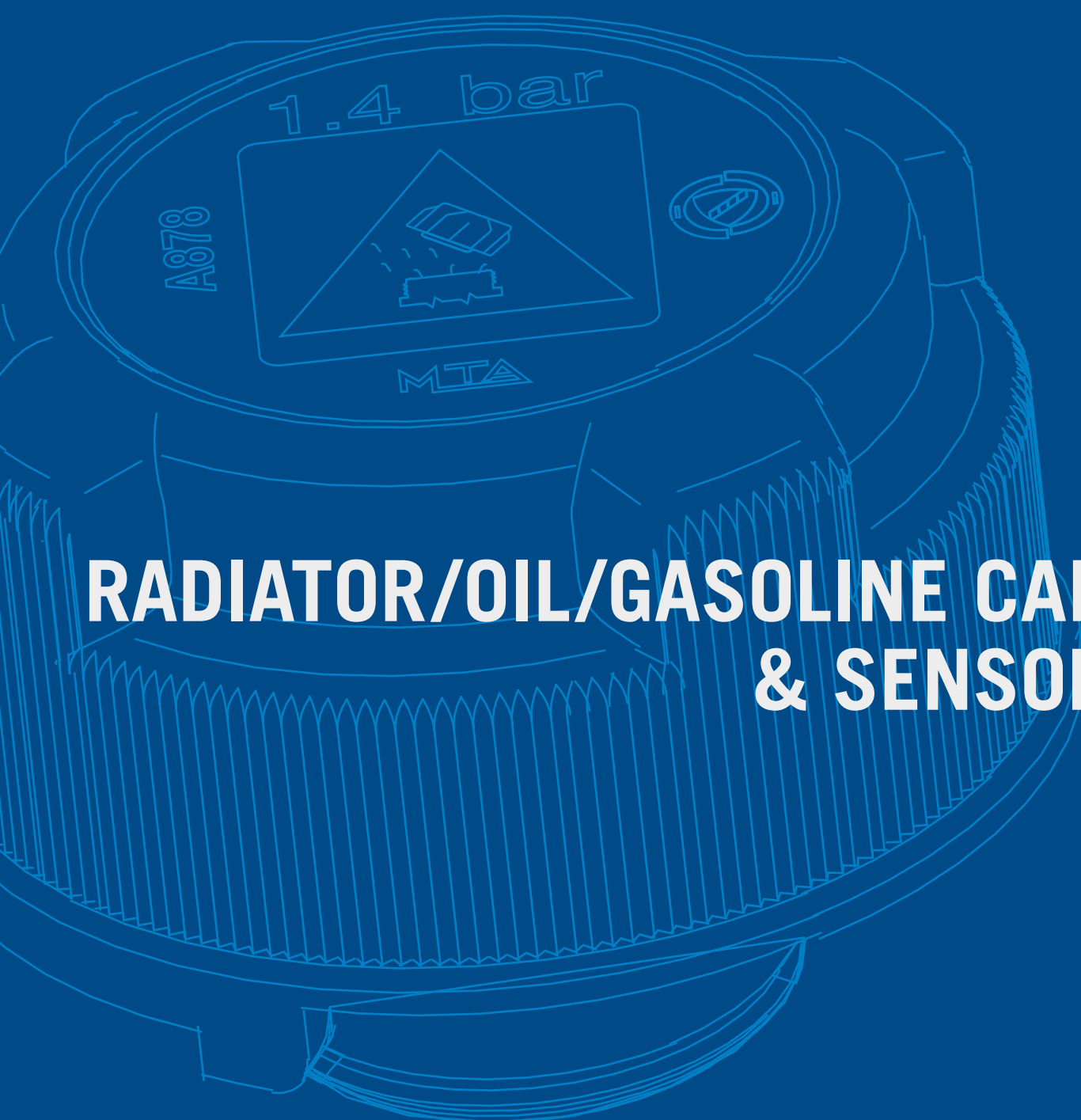


1



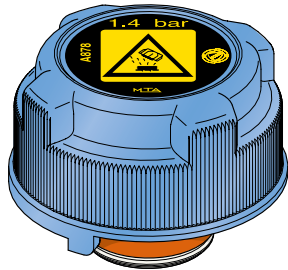
2

IMG	DESCRIPTION	L	d	D	MATERIAL	COLOUR	P/N BOX	M.O.Q.	P/N BULK	M.O.Q.
1	CAP	37	6	11	PVC	■ Black			4410300	100
	CAP	41	7,5	15	PVC	■ Black			4410310	100
	CAP	61	9	16	PVC	■ Black			4410320	100
2	ALTERNATOR CAP	48	11	21	CR60	■ Black	4410400	10	4510400	500

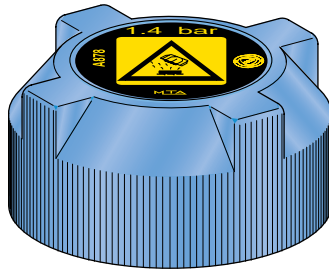


# **RADIATOR/OIL/GASOLINE CAPS & SENSORS**

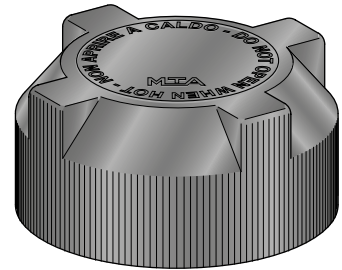
# RADIATOR CAPS



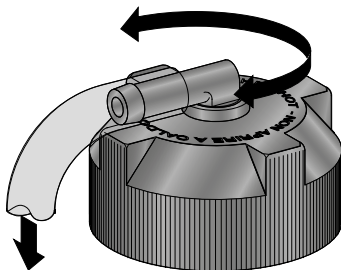
1



2



3

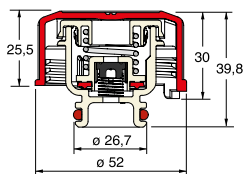


4

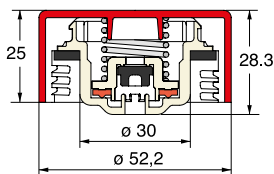


5

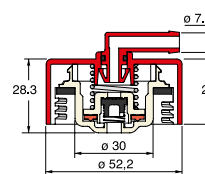
IMG	DESCRIPTION	PRESSION BAR	DEPRESSION BAR	MATERIAL	COLOUR	P/N BOX	M.O.Q.	P/N BULK	M.O.Q.
1	RADIATOR CAP	1	0,04 - 0,10	PP GF30	Blue			5056005	500
	RADIATOR CAP	1,4	0,04 - 0,10	PP GF30	Blue	5014877	1	5056000	500
2	RADIATOR CAP	1	0,04 - 0,10	PP GF30	Black	5014862	1	5050123	200
	RADIATOR CAP	1,4	0,04 - 0,10	PP GF30	Blue	5014873	1	5050103	200
3	RADIATOR CAP	1	0,04 - 0,10	PP GF30	Black	5014861	1	5114861	200
	RADIATOR CAP	1,2	0,04 - 0,10	PP GF30	Black			5050124	200
4	RADIATOR CAP	0,5	0,04 - 0,10	PP GF30	Black	5014900	1	5050090	200
	RADIATOR CAP	1	0,04 - 0,10	PP GF30	Black	5014901	1	5114901	200
	RADIATOR CAP	1,4	0,04 - 0,10	PP GF30	Blue			5050108	200
5	RADIATOR CAP	0,9	0,04 - 0,10	PP GF30	Black			5050097	270
	RADIATOR CAP	1,1	0,04 - 0,10	PP GF30	Black			5050121	270



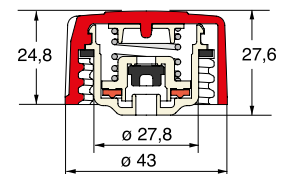
1



2+3

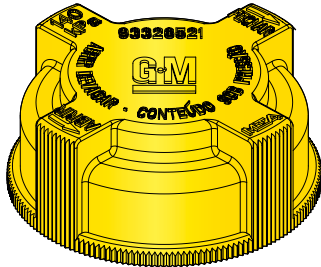


4

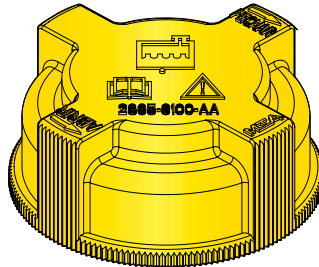


5

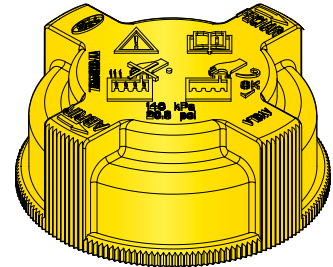
# RADIATOR CAPS



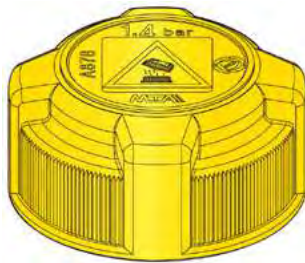
1



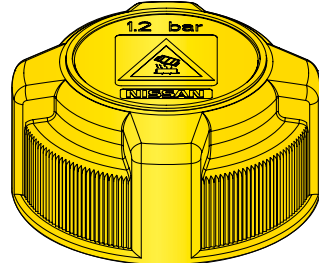
2



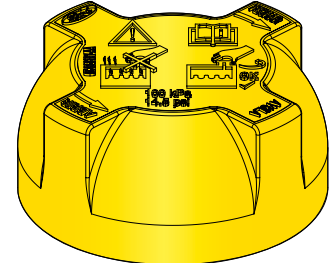
3



4



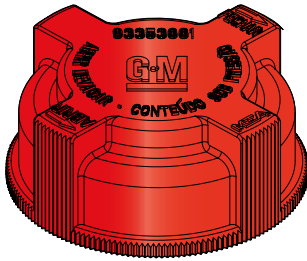
5



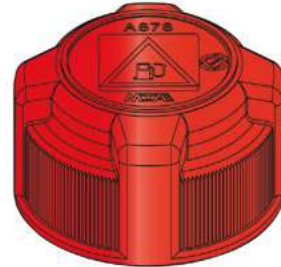
6

IMG	DESCRIPTION	PRESSON BAR	DEPRESSION BAR	MATERIAL	COLOUR	P/N	M.O.Q.
1	RADIATOR CAP GM	1,4	0,15 Max	PP GF30	Yellow	5050140	500
2	RADIATOR CAP (FORD)	1,4	0,04 - 0,10	PP GF30	Yellow	5050143	500
	RADIATOR CAP (FORD)	1,4	0,04 - 0,10	PP GF30	Black	5050156	200
3	RADIATOR CAP FORD	1,4	0,04 - 0,10	PP GF30	Yellow	5050147	500
	RADIATOR CAP FORD	1,4	0,04 - 0,10	PP GF30	Black	5050155	200
4	RADIATOR CAP FIAT	1,0	0,04 - 0,10	PP GF30	Yellow	5050126	500
	RADIATOR CAP FIAT	1,4	0,04 - 0,10	PP GF30	Yellow	5050127	500
5	RADIATOR CAP NISSAN	1,2	0,04 - 0,10	PP GF30	Yellow	5050227	500
6	RADIATOR CAP FORD TRUCK	1,0	0,15 Max	PP GF30	Yellow	5050136	500

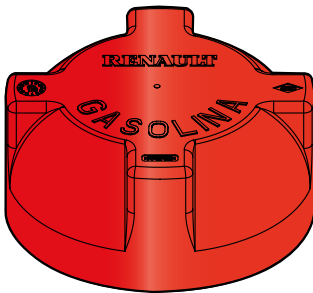
# GASOLINE CAPS



1



2

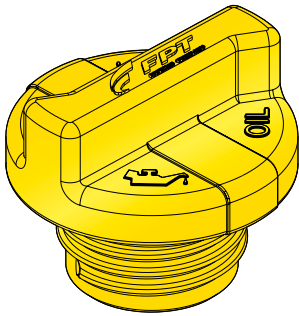


3

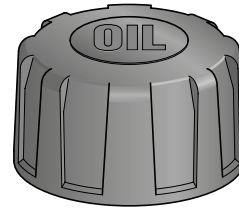
IMG	DESCRIPTION	PRESSION BAR	DEPRESSION BAR	MATERIAL	COLOUR	P/N	M.O.Q.
1	GASOLINE CAP GM	0,35	0,08 Max	PP GF30	Red	5050128	500
2	GASOLINE CAP FIAT	0,6	0,04 - 0,10	PP GF30	Red	5051108	500
3	GASOLINE CAP RENAULT	0,6	0,04 - 0,10	PP GF30	Red	5151137	500



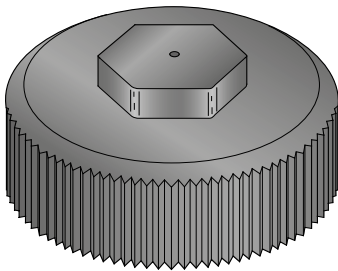
# OIL CAPS



1



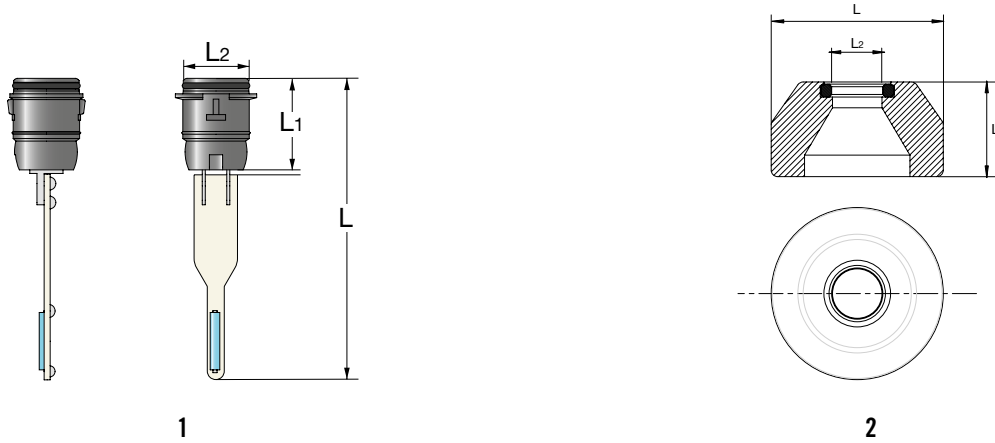
2



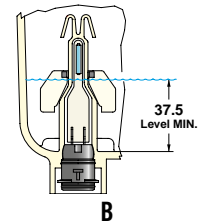
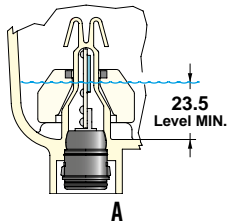
3

IMG	DESCRIPTION	MATERIAL	COLOUR	P/N	M.O.Q.
1	OIL CAP FIAT/FORD	PP GF30	Yellow	5050133	500
2	VENTED OIL CAP PIAGGIO	PP GF30		5050106	270
3	DIESEL OIL TANK FOR TRUCKS	PP	Black	5515870	5

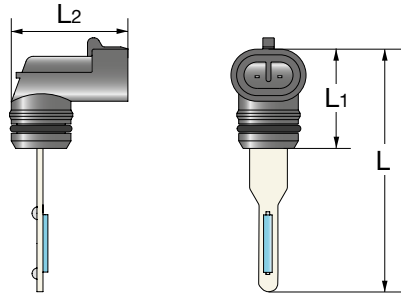
# LEVEL SENSORS



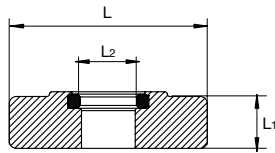
IMG	DESCRIPTION	TYPE	L mm	L1 mm	L2 mm	MATERIAL	P/N	M.O.Q.
1	LEVEL SENSOR	A	58,15	24,25	17,35	PA66	7050090	600
2	FLOAT	A-B	40	22	11,5	PP	7057091	1000



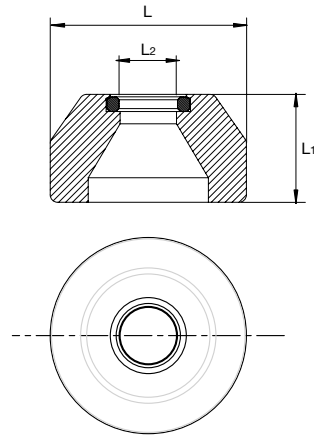
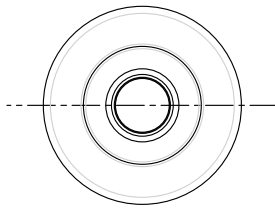
# LEVEL SENSORS



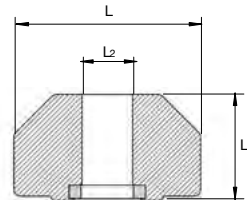
1



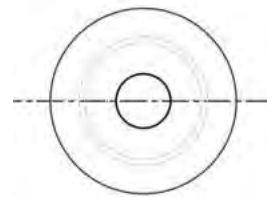
3



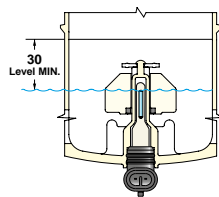
2



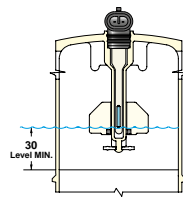
4



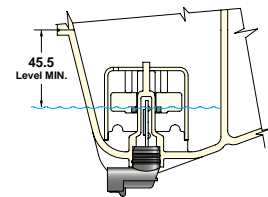
IMG	DESCRIPTION	TYPE	L mm	L1 mm	L2 mm	MATERIAL	P/N	M.O.Q.
1	LEVEL SENSOR	A	64,4	26,4	30,9	PA66	7050088	600
	LEVEL SENSOR	B	84,4	26,4	30,9	PA66	7050096	400
	LEVEL SENSOR	C	53,7	26,4	30,9	PA66	7050092	600
	LEVEL SENSOR	A	64,4	26,4	30,9	PA66	7050100	600
	LEVEL SENSOR	A	64,4	26,4	30,9	PA66	7050101	600
2	FLOAT		40	22	11,5	PP White	7057091	1000
3	FLOAT	A	42	11	11,4	PA Light Blue	7057093	1000
	FLOAT	C	42	11	11,4	PP White	7057092	700
4	FLOAT	A-B	42	24	11,4	PP White	7057088	1000



A

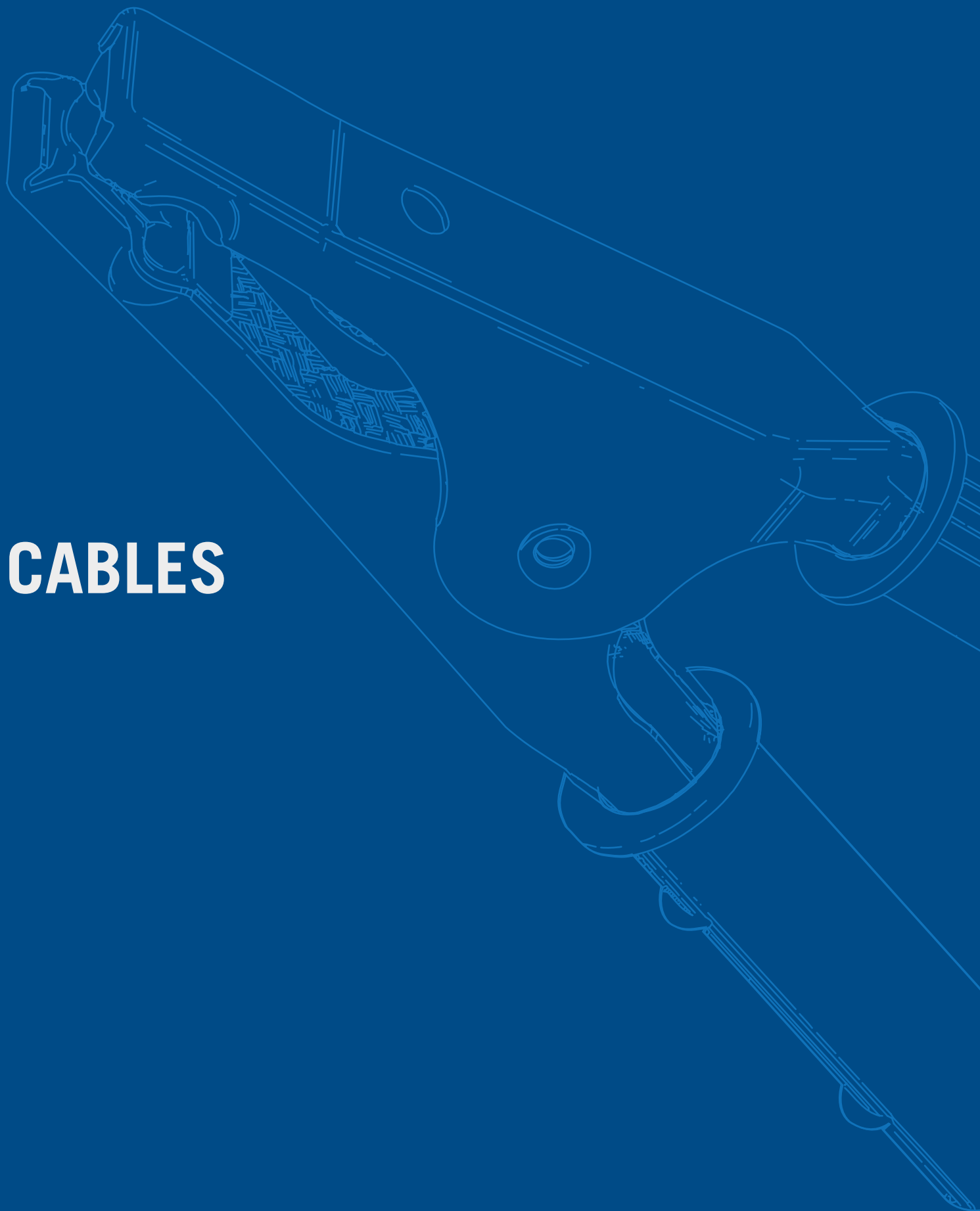


B

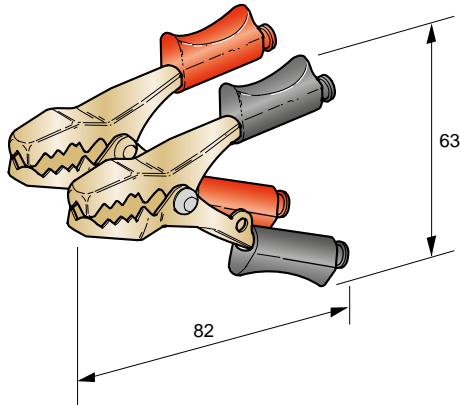


C

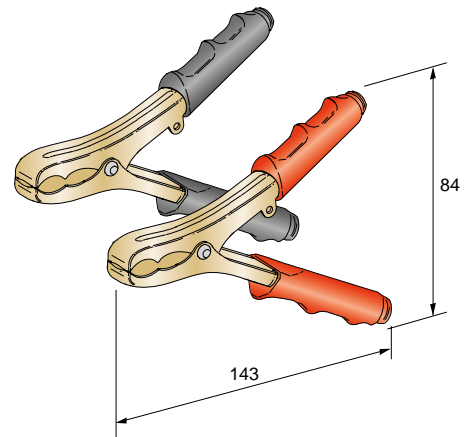
# CABLES



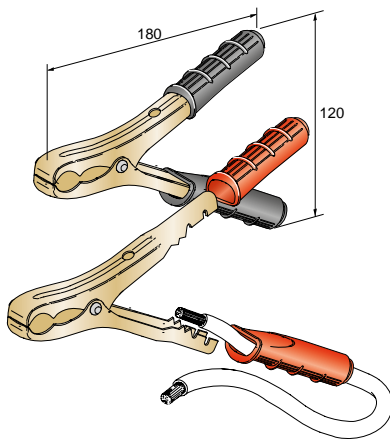
# CHARGING CLIPS



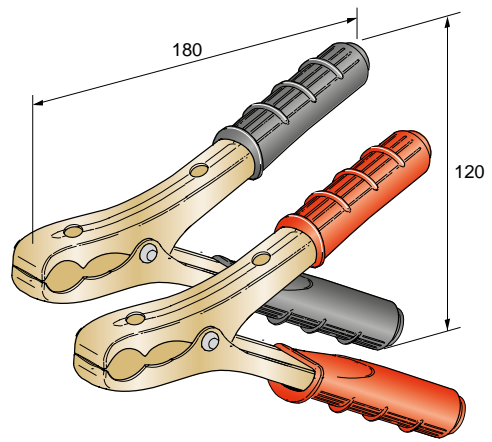
1



2



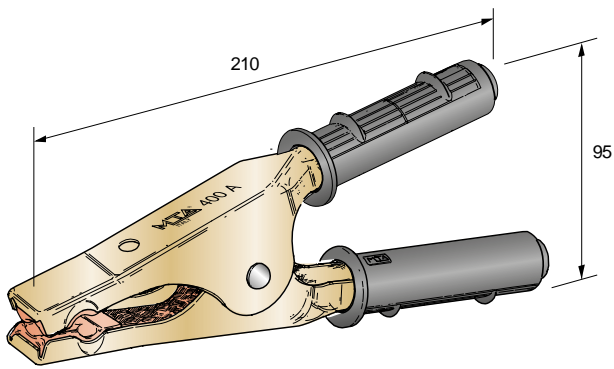
3



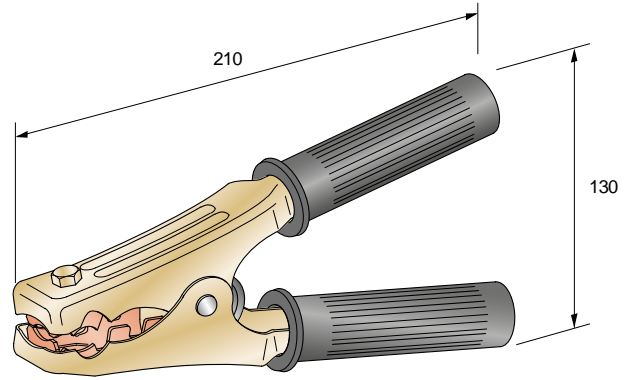
4

IMG	DESCRIPTION	AMP	COLOUR	WIRE SECTION mm2	P/N BOX	M.O.Q.	P/N BULK	M.O.Q.
1	CHARGING CLIP	40 A	■ Red+Black	6÷10	4814220	20		
	CHARGING CLIP	40 A	■ Red	6÷10			4914221	300
	CHARGING CLIP	40 A	■ Black	6÷10			4914222	300
2	CHARGING CLIP	100 A	■ Red+Black	10÷25	4814252	4		
	CHARGING CLIP	100 A	■ Red	10÷25			4914256	200
	CHARGING CLIP	100 A	■ Black	10÷25			4914257	200
3	CHARGING CLIP	120 A	■ Red+Black	10÷35	4814251	4		
	CHARGING CLIP	120 A	■ Red	10÷35			4914258	100
	CHARGING CLIP	120 A	■ Black	10÷35			4914259	100
4	CHARGING CLIP	200 A	■ Red+Black	10÷35	4814255	4		
	CHARGING CLIP	200 A	■ Red	10÷35			4914262	100
	CHARGING CLIP	200 A	■ Black	10÷35			4914264	100

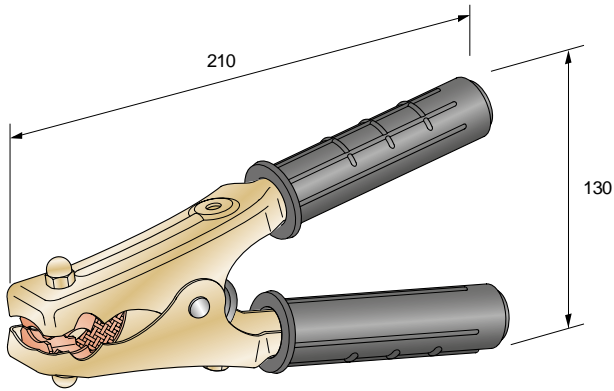
# CHARGING CLIPS



1

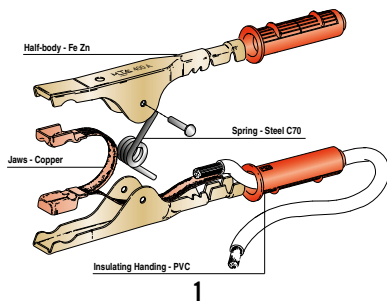


2

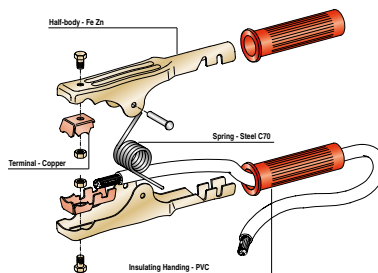


3

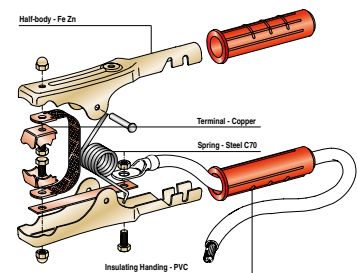
IMG	DESCRIPTION	AMP	COLOUR	WIRE SECTION mm2	P/N BOX	M.O.Q.	P/N BULK	M.O.Q.
1	CHARGING CLIPS	400 A	■ Red+Black	10÷30	4814250	4		
	CHARGING CLIPS	400 A	■ Red	10÷30	4814267	4	4914267	50
	CHARGING CLIPS	400 A	■ Black	10÷30	4814268	4	4914268	50
2	CHARGING CLIPS	500 A	■ Red+Black	35÷50	4814311	4		
	CHARGING CLIPS	500 A	■ Red	35÷50	4914312	25		
	CHARGING CLIPS	500 A	■ Black	35÷50	4914313	25		
3	CHARGING CLIPS	600 A	■ Red+Black	50	4814321	4		
	CHARGING CLIPS	600 A	■ Red	50	4914322	25		
	CHARGING CLIPS	600 A	■ Black	50	4914323	25		



1

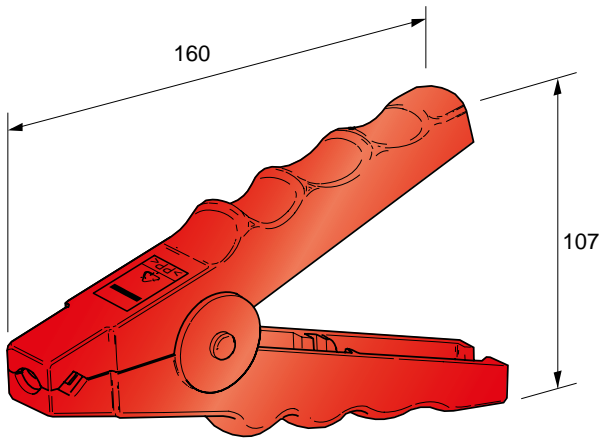


2

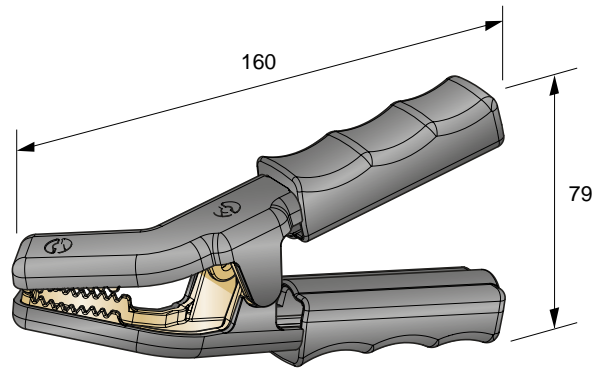


3

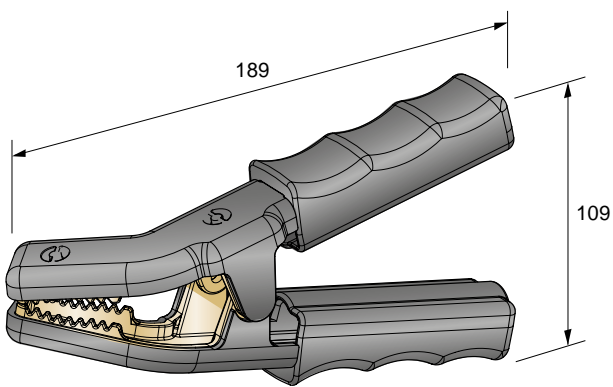
# CHARGING CLIPS



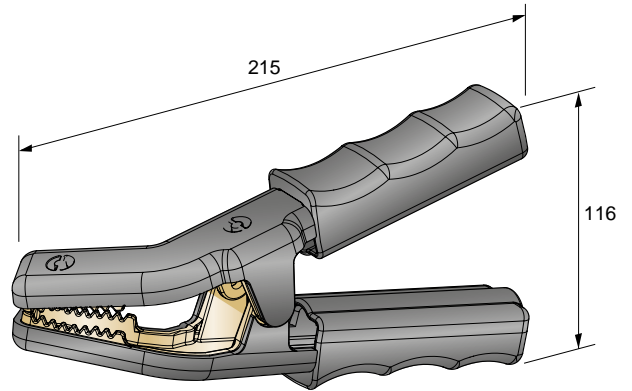
1



2

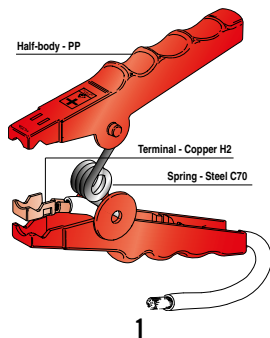


3

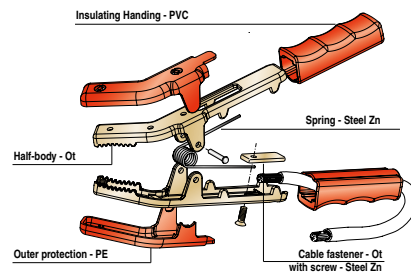


4

IMG	DESCRIPTION	AMP	COLOUR	WIRE SECTION mm2	P/N BOX	M.O.Q.	P/N BULK	M.O.Q.
1	CHARGING CLIPS	300 A	■ Red+Black	10÷25	4814254	4	4914265	150
	CHARGING CLIPS	300 A	■ Red	10÷25				
	CHARGING CLIPS	300 A	■ Black	10÷25				
2	CHARGING CLIPS	650 A	■ Red+Black	10÷35	4814330	4		
3	CHARGING CLIPS	850 A	■ Red+Black	25÷70	4814331	4		
	CHARGING CLIPS	850 A	■ Red	25÷70				
	CHARGING CLIPS	850 A	■ Black	25÷70				
4	CHARGING CLIPS	1000 A	■ Red+Black	35÷70	4814332	4		



1



2+3+4

# BOOSTER CABLES



1



2



3



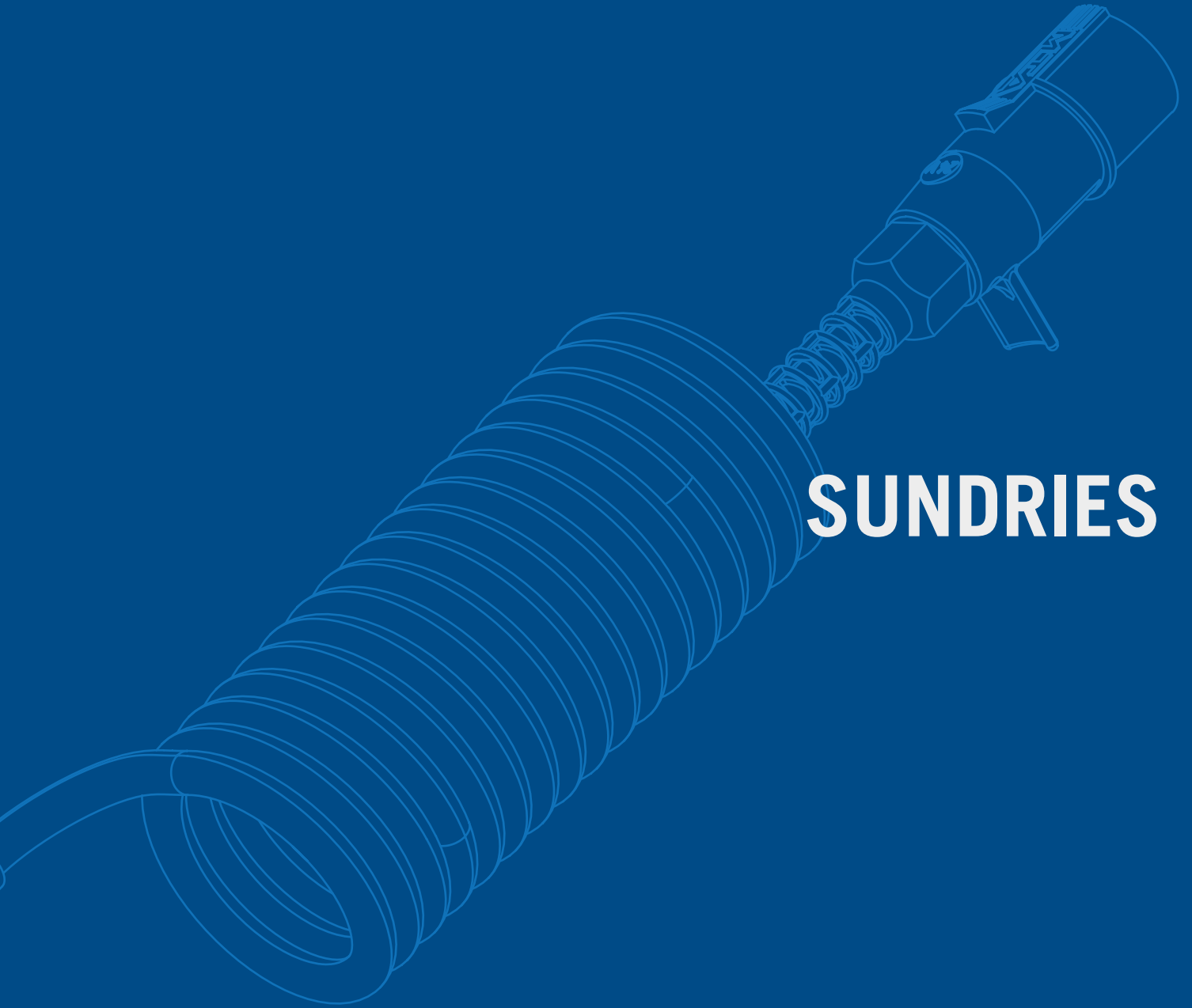
4

IMG	DESCRIPTION	MATERIAL	AMP	L mm	WIRE SECTION mm <sup>2</sup>	P/N BOX	M.O.Q.
1	BOOSTER CABLES	HI-FLEX	120 A	2500	10	4814261	1
		HI-FLEX	120 A	2500	16	4814271	1
		HI-FLEX	120 A	3500	16	4814272	1
		HI-FLEX	120 A	2500	25	4814281	1
		HI-FLEX	120 A	3500	25	4814282	1
2	BOOSTER CABLES	HI-FLEX	300 A	2500	25	4814350	1
		HI-FLEX	300 A	3500	25	4814351	1
3	BOOSTER CABLES	HI-FLEX	400 A	3500	25	4814290	1
		HI-FLEX	400 A	5000	25	4814291	1
4	BOOSTER CABLES	HI-FLEX	500 A	5000	35	4814295	1
		HI-FLEX	500 A	3500	50	4814373	1
		HI-FLEX	500 A	5000	50	4814375	1
	BOOSTER CABLES	HI-FLEX	600 A	5000	50	4814361	1

REUSABLE BAG WITH HANDLES

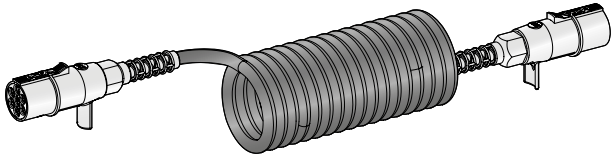
19 LANGUAGES INSTRUCTIONS





# SUNDRIES

# SPIRAL CABLE WITH CONNECTORS



1



2



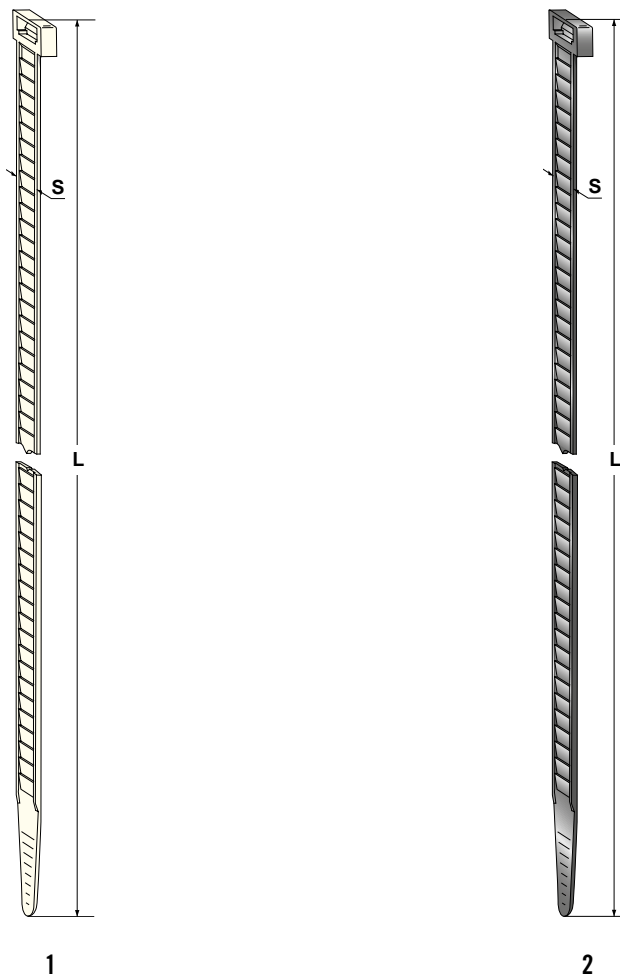
3



4

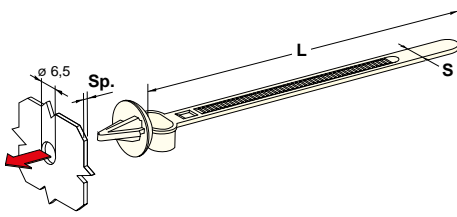
IMG	DESCRIPTION	PIN N.	SPIRAL COLOUR	MAX LENGTH mm	P/N BOX	M.O.Q.
1	SPIRAL CABLE VOLKSWAGEN	7	Black	4200	9815530	10
2	SPIRAL CABLE FORD	15-7	Red	5500	9815550	10
	SPIRAL CABLE VOLVO	15-7	Black	5500	9815560	10
3	SPIRAL CABLE	7	Black	4500	9815562	10
4	SOCKET FOR SPIRAL CABLE	15	-	-	2550087	50

## SELF EXTINGUISHING CABLE TIES

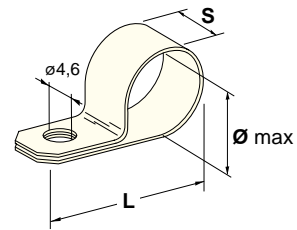


IMG.	DESCRIPTION	MATERIAL	OPERATION TEMP	L mm	S mm	Ø mm	Kg mm	P/N WHITE	M.O.Q.	P/N BLACK	M.O.Q.
1/2	SELF EXTINGUISHING CABLE TIE	PA66 V2 - UL94	-40°C +85°C	98	2,5	20	8			4621410	100
		PA66 V2 - UL94	-40°C +85°C	135	2,5	25	8			4621420	100
		PA66 V2 - UL94	-40°C +85°C	200	2,6	50	8			4621430	100
		PA66 V2 - UL94	-40°C +85°C	140	3,6	30	13			4621440	100
		PA66 V2 - UL94	-40°C +85°C	290	3,6	75	13	4621150	100	4621450	100
		PA66 V2 - UL94	-40°C +85°C	160	4,5	36	18			4621460	100
		PA66 V2 - UL94	-40°C +85°C	178	4,8	40	22			4621470	100
		PA66 V2 - UL94	-40°C +85°C	200	4,8	50	22	4621180	100	4621480	100
		PA66 V2 - UL94	-40°C +85°C	250	4,8	62	22			4621490	100
		PA66 V2 - UL94	-40°C +85°C	290	4,8	75	22	4621200	100	4621500	100
		PA66 V2 - UL94	-40°C +85°C	360	4,8	100	22	4621210	100	4621510	100
		PA66 V2 - UL94	-40°C +85°C	180	7,8	40	54			4621530	100
		PA66 V2 - UL94	-40°C +85°C	240	7,8	50	54			4621540	100
		PA66 V2 - UL94	-40°C +85°C	300	7,8	77	54			4621550	100
		PA66 V2 - UL94	-40°C +85°C	365	7,8	100	54	4621260	100	4621560	100
		PA66 V2 - UL94	-40°C +85°C	450	7,8	125	54			4621570	100
		PA66 V2 - UL94	-40°C +85°C	540	7,8	150	54			4621580	100
		PA66 V2 - UL94	-40°C +85°C	750	7,8	200	54			4621590	100

# CABLE CLIPS



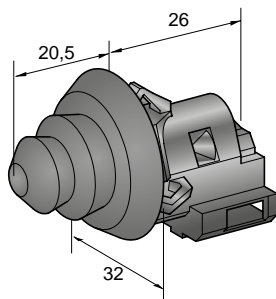
1



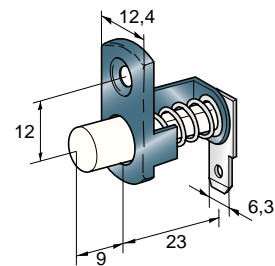
2

IMG	DESCRIPTION	MATERIAL	L mm	S mm	Ø mm	Sp mm		P/N BOX	M.O.Q.
1	REUSABLE TIE	PA66 V2 - UL94	140	6,5	6÷35	0,6÷2		4621051	200
	REUSABLE TIE	PA66 V2 - UL94	100	6	2÷16	0,6÷1,5		4621052	200
2	FIXING TUBE CLAMP	PA66	19,8	9,6	4,8	-		4612110	100
	FIXING TUBE CLAMP	PA66	22	10	6,35	-		4612120	100
	FIXING TUBE CLAMP	PA66	22	10	7,9	-		4612130	100
	FIXING TUBE CLAMP	PA66	24	12	9,5	-		4612140	100
	FIXING TUBE CLAMP	PA66	31	12	12,7	-		4612150	100
	FIXING TUBE CLAMP	PA66	34,3	12	15,8	-		4612160	100
	FIXING TUBE CLAMP	PA66	35	12	19,4	-		4612170	100
	FIXING TUBE CLAMP	PA66	43	12	25,4	-		4612180	100

# PRESS SWITCHES



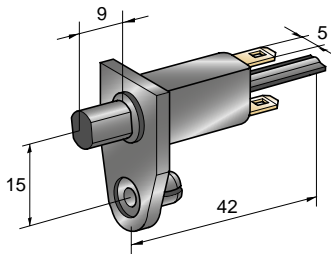
1



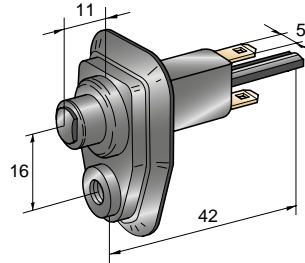
2

IMG	DESCRIPTION	APPLICATION	P/N BOX	M.O.Q.
1	PRESS SWITCH	MULTIFUNCTIONAL - RENAULT	4209655	1
2	PRESS SWITCH	DOORS FIAT RITMO - PANDA - 131 - 132 - 128	4209500	1

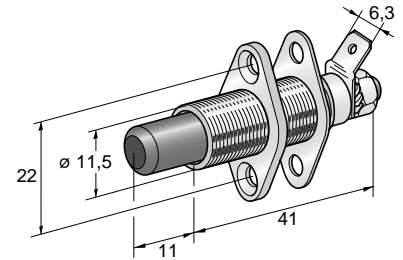
# PRESS SWITCHES



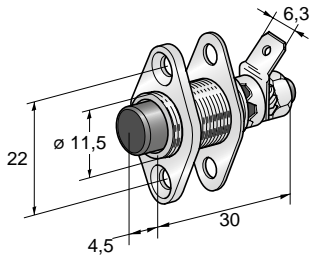
1



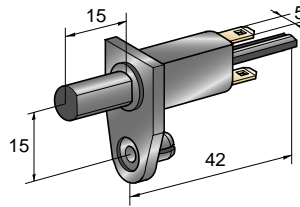
2



3



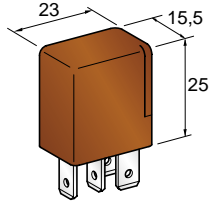
4



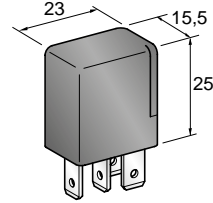
5

IMG	DESCRIPTION	APPLICATION	P/N BOX	M.O.Q.
1	PRESS SWITCH	DOORS FIAT UNO	4209520	1
2	PRESS SWITCH	DOORS FIAT CROMA - LANCIA THEMA	4209530	1
3	PRESS SWITCH	AUTOALARM, DOORS, TAILGATES	4209570	1
4	PRESS SWITCH	AUTOALARM, DOORS, TAILGATES	4209580	1
5	PRESS SWITCH	BOOT ALFA 164	4209590	1

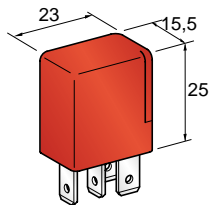
# RELAYS



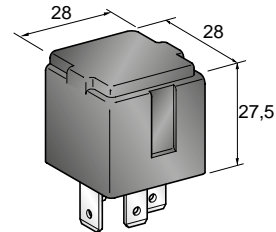
1



2

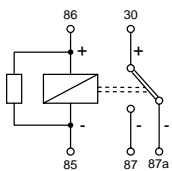


3

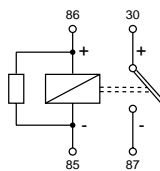


4

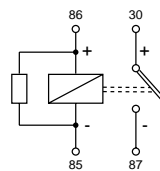
IMG	DESCRIPTION	COLOUR	RATED CURRENT WITH 80° C	RATED VOLTAGE	WORKING TEMPERATURE T.min/T.max	P/N BOX	M.O.Q.
1	MICRO RELAY	<span style="color: brown;">■</span> Brown	10A (NC) - 20A (NO)	12 V	-40°C +125°C	0603000	1
2	MICRO RELAY	<span style="color: black;">■</span> Black	20A (NO)	12 V	-40°C +125°C	0603010	1
3	MICRO RELAY	<span style="color: red;">■</span> Red	30A (NO)	12 V	-40°C +125°C	0603020	1
5	MAXI RELAY	<span style="color: black;">■</span> Black	50A (NO)	12 V	-40°C +125°C	0603050	1



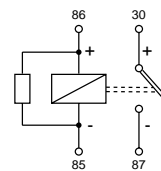
1



2

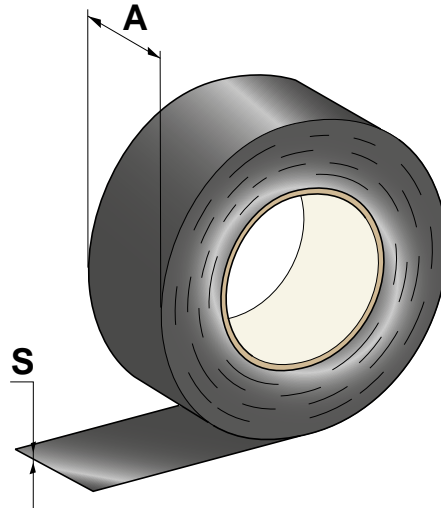


3



4

# SELF EXTINGUISHING INSULATING TAPE

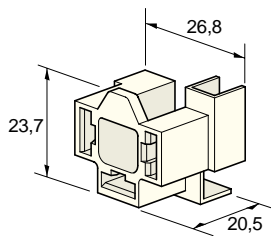


1

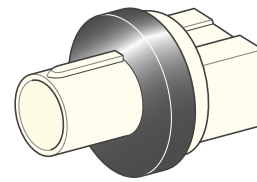
IMG	DESCRIPTION	MATERIAL	COLOUR	A mm	L mm	S mm	P/N BOX	M.O.Q.
1	SELF-EXTINGUISHING INSULATING TAPE	PVC - V0	■ Black	15	10000	0,15	4640100	10
	SELF-EXTINGUISHING INSULATING TAPE	PVC - V0	■ Black	15	25000	0,15	4640200	10
	SELF-EXTINGUISHING INSULATING TAPE	PVC - V0	■ Black	19	25000	0,15	4640300	10
	SELF-EXTINGUISHING INSULATING CLOTH TAPE	RAYON	■ Black	19	25000	0,28	0100302	96



# LAMP HOLDERS



1



2

IMG	DESCRIPTION	MATERIAL	P/N BOX	M.O.Q.
1	3-WAY LAMP HOLDER	PA	4410510	50
2	PARKING LIGHTS AND DASHBOARD FOR LAMPS WITH W 2.1 X 9.5 D SOCKET		4008500	50

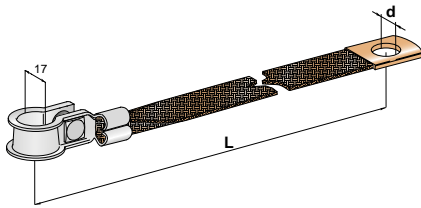
**CONNECTIONS AND FIXINGS**

IMG 1

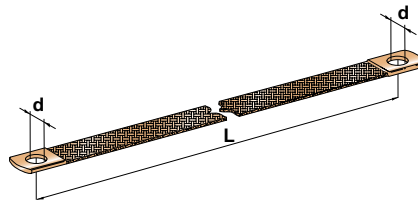


**FASTON F800  
W/LOCK.NOTCH**

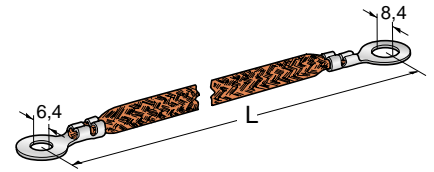
# GROUND CONNECTIONS



1



2

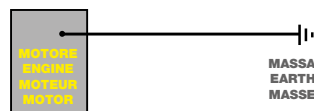


3

IMG	DESCRIPTION	WIRE SECTION mm <sup>2</sup>	d mm	L mm		P/N BOX	M.O.Q.
1	EARTH CONNECTION	25	12,5	300		2508681	1
		25	12,5	400		2508682	1
		25	12,5	500		2508683	1
		10	8,4	210		2508650	1
2	EARTH CONNECTION	10	8,4	280		2508652	1
		15	10,4	330		2508660	1
		15	10,4	450		2508661	1
		15	10,4	280		2508662	1
		15	10,4	210		2508663	1
		25	12,5	320		2508670	1
		25	12,5	230		2508671	1
		25	12,5	400		2508672	1
3	EARTH CONNECTION	-	-	300		2508220	10



1



2



3





# LIST OF ALL ITEMS

## LIST OF ALL ITEMS

P/N	PAGE	P/N	PAGE	P/N	PAGE	P/N	PAGE	P/N	PAGE
0100300	82	0101371	48,49,50,51,52,53	0200298	18	0300458	30	0301040	71, 72
0100302	206	0101375	39	0200299	18	0300460	30	0301045	29
0100306	82	0101400	61	0200300	18	0300463	30	0301050	71, 72
0100334	68	0101450	42	0200301	18	0300464	30	0301053	29
0100335	73	0101460	36	0300300	82	0300465	30	0301060	71, 72
0100336	73	0101470	38	0300306	82	0300468	24	0301070	71, 72
0100337	73	0101484	36	0300330	66	0300489	100	0301080	71, 72
0100341	68	0101491	49	0300331	66	0300500	34	0301152	75
0100345	63	0101494	37	0300336	73	0300540	57	0301163	33
0100350	65	0101497	77	0300341	68	0300541	57	0301180	41
0100351	65	0101498	77	0300342	68	0300542	57	0301199	30
0100352	86	0101499	77	0300345	63	0300552	31	0301200	71
0100353	65	0101504	37	0300351	65	0300557	30	0301204	30
0100358	87	0101510	38	0300352	86	0300560	57	0301210	71
0100359	65, 67	0101520	42	0300354	65	0300561	57	0301223	78
0100360	74	0101530	42	0300357	65, 66	0300562	57	0301224	78
0100370	74	0101540	42	0300358	87	0300564	39	0301225	81
0100380	76	0101550	41	0300359	65, 67	0300580	57	0301226	81
0100390	72	0101564	36	0300360	74	0300581	57	0301227	81
0100391	72	0101568	50	0300370	74	0300582	57, 58	0301229	21
0100392	87	0101569	52	0300380	76	0300590	58	0301230	21
0100400	64	0101580	40	0300390	72	0300600	58	0301237	47
0100415	64	0101590	40	0300391	72	0300602	58	0301249	80
0100416	61	0101600	38	0300392	87	0300610	58	0301250	80
0100420	67	0101640	36	0300395	86	0300612	58	0301251	80
0100430	87	0101660	37	0300397	103	0300650	54	0301252	79
0100440	87	0101690	38	0300398	86	0300660	54	0301301	62
0100500	34	0101695	37	0300400	64	0300670	54	0301305	62
0100540	57	0101697	39	0300401	64	0300680	54	0301307	62
0100560	57	0101698	39	0300402	64	0300690	86	0301310	62
0100580	57	0101703	23	0300403	64	0300691	86	0301315	62
0100590	58	0101706	42	0300404	64	0300697	88	0301320	62
0100600	58	0101707	42	0300405	64	0300698	88	0301325	62
0100610	58	0101881	69	0300406	64	0300699	41	0301330	62
0100655	54	0101882	69	0300407	64	0300700	54	0301370	48
0100665	54	0101883	70	0300415	64	0300791	39	0301371	48,49,50,51,52,53
0100699	41	0101884	70	0300416	61	0300793	36	0301372	48
0100703	22	0200140	16	0300420	67	0300800	34	0301373	51
0100705	54	0200150	16	0300430	87	0300839	25	0301374	53
0100710	26	0200151	16	0300440	87	0300849	34	0301375	39
0100800	34	0200170	16	0300442	24	0300850	34	0301376	47
0101005	71	0200171	16	0300452	30	0300856	85	0301400	61
0101180	41	0200180	16	0300454	30	0300949	85	0301410	61
0101223	78	0200181	16	0300455	30	0300950	34	0301420	56
0101224	78	0200296	18	0300456	30	0301000	71	0301430	56
0101370	48	0200297	18	0300457	30	0301030	71, 72	0301431	56

## LIST OF ALL ITEMS



P/N	PAGE	P/N	PAGE	P/N	PAGE	P/N	PAGE	P/N	PAGE
0301435	56	0301698	39	0430300	17	0474080	13	0600910	8
0301450	42	0301699	39	0430400	17	0475020	14	0600920	8
0301460	36	0301706	42	0430500	17	0475030	14	0600930	8
0301470	38	0301707	42	0430600	17	0475040	14	0600940	8
0301484	36	0301865	32	0430700	17	0475050	14	0600950	8
0301486	36	0301873	32	0430800	17	0475060	14	0600960	8
0301491	49	0301881	69	0430900	17	0475070	14	0600970	8
0301494	37	0301882	69	0431000	17	0475080	14	0601100	11
0301496	37	0301883	70	0431100	17	0475100	14	0601125	11
0301497	77	0301884	70	0431300	17	0477045	13	0601150	11
0301498	77	0301887	28	0431400	17	0477065	13	0601175	11
0301499	77	0302000	59	0433200	17	0477075	13	0601200	11
0301502	75	0302001	59	0433300	17	0600010	19	0601225	11
0301504	37	0302305	62	0433400	17	0600090	4	0601250	11
0301506	37	0302310	62	0433450	17	0600100	4	0601300	11
0301508	79	0302315	62	0433500	17	0600101	4	0601350	12
0301509	79	0302320	62	0433600	17	0600110	4	0601400	12
0301510	38	0302325	62	0433700	17	0600120	4	0601401	11
0301511	79	0302330	62	0433800	17	0600130	4	0601450	12
0301512	80	0303003	55	0433850	17	0600140	4	0601500	12
0301520	42	0303005	55	0433900	17	0600150	4	0601600	11
0301530	42	0303006	55	0470020	14	0600160	4	0601700	12
0301540	42	0303007	55	0470030	14	0600170	4	0602030	9
0301550	41	0303008	55	0470040	14	0600210	15	0602040	9
0301564	36	0303009	55	0470050	14	0600220	15	0602050	9
0301566	36	0303010	55	0470060	14	0600230	15	0602060	9
0301568	50	0303015	55	0470080	14	0600240	15	0602070	9
0301569	52	0303020	55	0470100	14	0600250	15	0602080	9
0301580	40	0303025	55	0471030	14	0600260	15	0602100	9
0301590	40	0303030	55	0471040	14	0600270	15	0602125	9
0301600	38	0321000	71	0471050	14	0600280	15	0602920	6
0301601	38, 39	0321200	71	0471060	14	0600290	15	0602925	6
0301602	38	0321210	71	0471080	14	0600302	15	0602930	6
0301620	46	0350459	30	0471100	14	0600375	5	0602935	6
0301630	47	0350558	30	0472030	14	0600380	5	0602940	6
0301640	36	0404015	13	0472040	14	0600390	5	0602950	6
0301660	37	0404020	13	0472050	14	0600400	5	0602960	6
0301661	37	0404025	13	0472060	14	0600401	5	0603000	205
0301680	44	0404030	13	0472080	14	0600410	5	0603010	205
0301681	45	0404040	13	0472100	14	0600420	5	0603020	205
0301682	43	0424020	13	0474020	13	0600430	5	0603050	205
0301690	38	0424025	13	0474030	13	0600440	5	0610030	7
0301691	38	0424030	13	0474040	13	0600450	5	0610035	7
0301695	37	0424040	13	0474050	13	0600460	5	0610040	7
0301696	37	0424050	13	0474060	13	0600470	5	0610050	7
0301697	39	0424060	13	0474070	13	0600900	8	0610060	7

## LIST OF ALL ITEMS

P/N	PAGE	P/N	PAGE	P/N	PAGE	P/N	PAGE	P/N	PAGE
0610070	7	0701150	11	0708050	9	0715225	10	1107400	153
0610080	7	0701175	11	0708060	9	0715250	10	1107410	153
0615080	10	0701200	11	0708070	9	0715300	10	1107420	153
0615100	10	0701225	11	0708080	9	0715500	10	1107501	152
0615125	10	0701250	11	0708100	9	1000618	184	1107620	154
0615150	10	0701300	11	0708125	9	1000900	183	1107621	154
0615175	10	0701350	12	0708150	9	1000910	183	1107622	154
0615200	10	0701400	12	0708175	9	1000930	183	1107650	154
0615225	10	0701401	11	0708200	9	1101400	156	1107660	154
0615250	10	0701450	12	0710030	7	1101412	158	1107670	154
0615300	10	0701500	12	0710035	7	1101650	156	1107671	154
0615500	10	0701600	11	0710040	7	1101660	158	1107675	154
0650015	19	0701700	12	0710050	7	1101662	158	1107685	154
0650016	19	0702030	9	0710060	7	1101680	157	1107690	154
0700090	4	0702040	9	0710070	7	1101700	156	1107700	154
0700100	4	0702050	9	0710080	7	1101710	156	1107710	154
0700101	4	0702060	9	0710100	7	1101720	157	1107720	154
0700110	4	0702070	9	0710130	7	1101940	164	1107740	155
0700120	4	0702080	9	0710135	7	1101950	164	1107741	155
0700130	4	0702100	9	0710140	7	1102000	162	1107760	153
0700140	4	0702125	9	0710150	7	1102010	162	1107770	153
0700150	4	0702825	6	0710160	7	1102050	163	1107900	152
0700160	4	0702830	6	0710170	7	1104500	160	1107901	152
0700170	4	0702835	6	0710180	7	1104510	160	1107920	152
0700300	5	0702840	6	0710300	5	1105500	159	1107930	152
0700301	5	0702850	6	0710310	5	1105510	159	1107940	152
0700310	5	0702860	6	0710320	5	1105550	159	1107960	166
0700320	5	0702920	6	0710330	5	1105560	159	1107970	166
0700330	5	0702925	6	0710340	5	1105615	162	1107980	166
0700340	5	0702930	6	0710350	5	1105620	162	1107990	151
0700350	5	0702935	6	0710360	5	1105630	162	1107991	151
0700360	5	0702940	6	0710370	5	1105660	163	1107992	151
0700370	5	0702950	6	0710375	5	1105670	163	1107993	151
0700375	5	0702960	6	0711100	11	1106700	131	1108000	166
0700380	5	0705090	4	0711125	11	1106710	131	1108010	163
0700390	5	0705100	4	0711150	11	1106720	131	1108020	163
0700900	8	0705101	4	0711175	11	1106730	131	1108030	162
0700910	8	0705110	4	0711200	11	1106750	131	1108050	162
0700920	8	0705120	4	0711225	11	1106760	131	1108060	162
0700930	8	0705130	4	0711250	11	1107000	157	1108070	163
0700940	8	0705140	4	0715080	10	1107010	157	1108080	163
0700950	8	0705150	4	0715100	10	1107020	157	1108110	133
0700960	8	0705160	4	0715125	10	1107209	163	1108120	133
0700970	8	0705170	4	0715150	10	1107210	162	1108260	160
0701100	11	0708030	9	0715175	10	1107211	162	1108270	160
0701125	11	0708040	9	0715200	10	1107212	163	1108280	162



LIST OF ALL ITEMS



P/N	PAGE	P/N	PAGE	P/N	PAGE	P/N	PAGE	P/N	PAGE
1108290	160	1400850	167	1507736	120	1605720	136	1608415	144
1108300	160	1400860	167	1507760	120	1605730	136	1608420	143
1108330	149	1400862	167	1507771	120	1605800	136	1608460	143
1108331	149	1400865	167	1507772	120	1605810	136	1608500	141
1108332	149	1400880	167	1507790	120	1605811	136	1608510	141
1108337	149	1401400	156	1507795	120	1605815	135	1608520	145
1108338	149	1506100	125	1507800	121	1605820	136	1608540	146
1108339	149	1506110	125	1507810	121	1605830	136	1608600	145
1108380	148	1506120	125	1507820	121	1605900	136	1608800	133
1108381	148	1506130	125	1507830	121	1605905	135	1609000	130
1108382	148	1506200	126	1507875	121	1605910	136	1609100	145
1108383	148	1506210	126	1507885	121	1605911	136	1609200	132
1108400	150	1506250	126	1507904	122	1605930	136	1609320	133
1108401	150	1506260	126	1507905	122	1606500	140	1609330	133
1108402	150	1506270	125	1507915	122	1606770	140	1609340	133
1108500	151	1506280	125	1507916	122	1606775	140	1609600	146
1108501	151	1506650	123	1507925	122	1606785	140	1609910	145
1108502	151	1506655	123	1507926	122	1606791	140	1609911	145
1108503	151	1506656	123	1507946	122	1606795	140	1609920	145
1108511	151	1506658	123	1507955	122	1606796	140	1609960	146
1108512	151	1506660	123	1507956	122	1606855	180	1617500	141
1108513	151	1506665	123	1507957	122	1606890	140	1701400	156
1200580	184	1506666	123	1507975	122	1606981	138	1701650	156
1200590	184	1506668	123	1508001	120	1606982	138	1701651	156
1201000	165	1506675	123	1602550	130	1606990	138	1701655	156
1201070	165	1506678	123	1602970	130	1606991	138	1701660	158
1201110	165	1506720	123	1602980	130	1606992	138	1701940	164
1201150	166	1506721	123	1602981	130	1606994	138	1704004	141
1201160	166	1506730	123	1602990	130	1606995	144	1704010	141
1201200	165	1506731	123	1603000	130	1607400	144	1704500	160
1201210	165	1506740	124	1604300	132	1607500	141	1704510	160
1201220	165	1506741	124	1605000	147	1607510	142	1705550	159
1201230	165	1506760	124	1605010	147	1608180	133	1705560	159
1301390	156	1506761	124	1605020	147	1608190	133	1705606	134
1301391	156	1506765	124	1605021	147	1608196	133	1705616	134
1301400	156	1506820	126	1605030	147	1608199	133	1705626	134
1301402	156	1507601	122	1605040	147	1608210	132	1705656	134
1301411	158	1507700	120	1605100	147	1608321	132	1705715	134
1301412	158	1507701	120	1605110	147	1608323	132	1705725	134
1301417	158	1507703	120	1605600	136	1608345	138	1705726	135
1301418	158	1507704	120	1605610	136	1608346	138	1705735	134
1301420	157	1507705	120	1605620	136	1608380	141	1705745	134
1301501	157	1507707	120	1605630	136	1608381	141	1705816	135
1301650	156	1507708	120	1605650	136	1608382	141	1705825	135
1301660	158	1507710	120	1605700	136	1608384	141	1705826	135
1301665	158	1507720	120	1605710	136	1608400	143	1705835	135

## LIST OF ALL ITEMS

P/N	PAGE	P/N	PAGE	P/N	PAGE	P/N	PAGE	P/N	PAGE
1705846	135	1707700	154	1708325	132	1853060	171	1868200	177
1705855	135	1707710	154	1708330	149	1853070	171	1869000	177
1705856	135	1707720	154	1708331	149	1853150	171	1869100	177
1705925	135	1707740	155	1708332	149	1853200	171	1869200	177
1706600	140	1707741	155	1708334	149	1853250	171	1880060	179
1706700	131	1707742	155	1708335	149	1854200	173	1880070	179
1706701	131	1707760	153	1708336	149	1854400	173	1880080	179
1706710	131	1707770	153	1708337	149	1854500	173	1880090	179
1706711	131	1707780	153	1708338	149	1854550	174	1880100	179
1706712	139	1707900	152	1708339	149	1855000	173	1880120	179
1706720	131	1707901	152	1708345	138	1855400	173	1880130	179
1706721	131	1707902	152	1708360	144	1855500	173	1880140	179
1706730	131	1707911	152	1708370	144	1856000	174	1880150	179
1706731	131	1707912	152	1708380	148	1856400	175	1880230	179
1706740	131	1707920	152	1708381	148	1857100	171	1880240	179
1706741	131	1707930	152	1708382	148	1857150	171	1880250	179
1706750	131	1707932	152	1708383	148	1857200	171	1880280	178
1706760	131	1707940	152	1708391	148	1857250	171	1880290	178
1706880	140	1707942	152	1708392	148	1860000	180	1880300	178
1706890	140	1707990	151	1708400	150	1860500	173	1880310	178
1706900	137	1707991	151	1708401	150	1861000	173	1900590	184
1706910	137	1707992	151	1708402	150	1862000	174	1900930	183
1706920	137	1707993	151	1708500	151	1862500	174	1900940	183
1706930	137	1707994	151	1708501	151	1863000	173	1901390	156
1706940	137	1707995	151	1708502	151	1863100	171	1901391	156
1706950	138	1708110	133	1708503	151	1863150	171	1901400	156
1706960	138	1708120	133	1708504	151	1863200	171	1901402	156
1706970	138	1708150	131	1708505	151	1863250	171	1901411	158
1706975	139	1708160	131	1708511	151	1863300	171	1901412	158
1706977	139	1708170	132	1708512	151	1864000	176	1901417	158
1706980	138	1708175	132	1708513	151	1864100	176	1901418	158
1706990	138	1708185	139	1793752	142	1864300	176	1901650	156
1707400	153	1708200	138	1793753	142	1864400	176	1901660	158
1707410	153	1708210	132	1796416	142	1864500	176	1901665	158
1707420	153	1708215	132	1850200	173	1864600	176	1906970	138
1707620	154	1708220	138	1850300	173	1864700	176	1907501	152
1707621	154	1708230	132	1850400	173	1864800	176	1911400	156
1707622	154	1708240	134	1850450	174	1865100	172	1911650	156
1707650	154	1708245	134	1850500	173	1865200	172	1951194	158
1707660	154	1708246	134	1851000	173	1866100	172	2508220	208
1707670	154	1708250	135	1851400	173	1866300	172	2508650	208
1707671	154	1708270	139	1851500	173	1867000	172	2508652	208
1707672	154	1708280	134	1852000	174	1867100	172	2508660	208
1707675	154	1708310	132	1852400	175	1867200	172	2508661	208
1707685	154	1708315	132	1852500	174	1868000	177	2508662	208
1707690	154	1708320	132	1853050	171	1868100	177	2508663	208

LIST OF ALL ITEMS



P/N	PAGE	P/N	PAGE	P/N	PAGE	P/N	PAGE	P/N	PAGE
2508670	208	4410078	117	4420901	109, 185	4440310	93	4510802	99
2508671	208	4410079	117	4420902	109, 185	4440340	93	4510810	100
2508672	208	4410080	116	4420910	109	4440400	92	4510811	100
2508681	208	4410082	116	4420911	109, 185	4441100	102	4510812	100
2508682	208	4410084	116	4420920	110	4441200	102	4510820	100
2508683	208	4410086	116	4420921	110, 185	4507510	160	4510821	100
2550087	200	4410090	175	4420931	110, 185	4507740	159	4510830	99
3001001	72	4410091	175	4423510	108	4510090	175	4510840	98
3050123	106	4410092	175	4423520	108	4510091	175	4510870	101
3050124	106	4410096	175	4423530	108	4510096	175	4510875	101
3050125	106	4410097	175	4423540	108	4510110	105	4510880	98
3050126	106	4410150	111	4423550	108	4510115	105	4510881	98
3050127	106	4410160	111	4423560	108	4510120	104	4510890	98
3050128	106	4410170	111	4423610	106	4510125	104	4510891	98
3050129	106	4410180	111	4423620	106	4510130	105	4510921	100
3050130	106	4410190	111	4423630	106	4510135	104	4510970	101
3050131	107	4410200	111	4423640	106	4510145	105	4510975	101
3050132	107	4410210	112	4423650	106	4510150	111	4520900	109
3050133	107	4410220	112	4423660	106	4510160	111	4520901	109, 185
3050134	107	4410230	112	4423670	106	4510170	111	4520902	109, 185
3050135	83	4410240	112	4423680	106	4510180	111	4520910	109
3050136	83	4410245	83	4423690	107	4510190	111	4520911	109, 185
3050152	61	4410246	83	4423700	107	4510200	111	4520921	110, 185
3050153	62	4410247	83	4423710	107	4510210	112	4520931	110, 185
4008500	207	4410250	112	4423720	107	4510220	112	4540105	90
4209500	203	4410260	112	4423721	161	4510230	112	4540110	96
4209520	204	4410270	113	4426030	114	4510240	112	4540111	96
4209530	204	4410280	113	4426040	114	4510245	83	4540112	96
4209570	204	4410290	113	4426050	114	4510247	83	4540150	91
4209580	204	4410295	113	4426060	114	4510250	112	4540205	90
4209590	204	4410296	113	4426110	114	4510260	112	4540210	96
4209655	203	4410300	186	4426120	114	4510270	113	4540211	96
4407510	160	4410310	186	4426130	115	4510280	113	4540212	96
4407530	159	4410320	186	4426140	115	4510290	113	4540303	94
4407740	159	4410400	186	4426150	115	4510295	113	4540305	92
4407750	159	4410480	128	4426160	115	4510296	113	4540312	93
4410060	116	4410495	127	4426170	115	4510400	186	4540315	93
4410062	117	4410510	207	4426180	115	4510480	128	4540325	93
4410065	116	4410605	103	4430100	118	4510496	127	4540345	93
4410068	116	4410610	103	4430110	118	4510497	127	4540405	92
4410070	116	4410655	110	4430120	118	4510499	127	4540410	93
4410072	116	4410656	110	4430130	118	4510502	128	4540420	93
4410073	116	4410660	109	4433800	108	4510503	128	4540430	93
4410074	116	4410661	109	4440100	90	4510658	160	4540500	94
4410076	116	4420800	117	4440200	90	4510662	160	4540501	94
4410077	117	4420900	109	4440300	92	4510801	99	4540502	94

## LIST OF ALL ITEMS

P/N	PAGE	P/N	PAGE	P/N	PAGE	P/N	PAGE
4540503	94	4612110	202	4814272	198	5050123	188
4540705	95	4612120	202	4814281	198	5050124	188
4540715	95	4612130	202	4814282	198	5050126	189
4540735	95	4612140	202	4814290	198	5050127	189
4540805	95	4612150	202	4814291	198	5050128	190
4540816	97	4612160	202	4814295	198	5050133	191
4540817	97	4612170	202	4814311	196	5050136	189
4541100	102	4612180	202	4814321	196	5050140	189
4541200	102	4621051	202	4814330	197	5050143	189
4541201	102	4621052	202	4814331	197	5050147	189
4541202	102	4621150	201	4814332	197	5050155	189
4541203	27	4621180	201	4814350	198	5050156	189
4541204	27	4621200	201	4814351	198	5050227	189
4545100	90, 92, 93, 95	4621210	201	4814361	198	5051108	190
4545200	90	4621260	201	4814373	198	5056000	188
4545300	92, 93, 94, 95	4621410	201	4814375	198	5056005	188
4545400	92	4621420	201	4914221	195	5114861	188
4545800	95	4621430	201	4914222	195	5114901	188
4550747	149	4621440	201	4914256	195	5151137	190
4550748	149	4621450	201	4914257	195	5515870	191
4550749	149	4621460	201	4914258	195	7050088	193
4550750	149	4621470	201	4914259	195	7050090	192
4550780	153	4621480	201	4914262	195	7050092	193
4550781	153	4621490	201	4914264	195	7050096	193
4550782	153	4621500	201	4914265	197	7050100	193
4550784	153	4621510	201	4914266	197	7050101	193
4551575	185	4621530	201	4914267	196	7057088	193
4551605	103	4621540	201	4914268	196	7057091	192, 193
4551606	103	4621550	201	4914312	196	7057092	193
4551607	103	4621560	201	4914313	196	7057093	193
4551610	103	4621570	201	4914322	196	9602450	169
4551611	103	4621580	201	4914323	196	9602455	169
4551612	103	4621590	201	4914326	197	9602460	181
4551613	103	4640100	206	4914327	197	9602490	168
4551614	103	4640200	206	5014861	188	9602500	181
4551615	103	4640300	206	5014862	188	9815530	200
4551747	149	4814220	195	5014873	188	9815550	200
4551748	149	4814250	196	5014877	188	9815560	200
4551749	149	4814251	195	5014900	188	9815562	200
4551897	97	4814252	195	5014901	188		
4551898	97	4814254	197	5050090	188		
4551899	97	4814255	195	5050097	188		
4551900	97	4814261	198	5050103	188		
4551901	151	4814267	196	5050106	191		
4551902	151	4814268	196	5050108	188		
4551903	161	4814271	198	5050121	188		





A norma della legge sul diritto d'autore e del codice civile, è tassativamente vietata la riproduzione di questo catalogo o parte di esso, con qualsiasi metodo elettronico, meccanico, per mezzo di fotocopie, microfilm, registrazioni o altro. I diritti sono riservati per tutti i paesi.

Disegni, caratteristiche e codifiche, possono essere soggetti a modifiche e variazioni. Al fine di un miglioramento tecnologico e qualitativo. MTA S.p.A. si riserva la facoltà di effettuare cambiamenti senza nessun preavviso.

I prodotti di questo catalogo sono destinati ad uso industriale e professionale e devono essere installati e manovrati da persone qualificate.

L'acquirente è tenuto ad informare l'utilizzatore finale dei rischi connessi al loro errato utilizzo (es. folgorazione, scoppio, ecc). Il venditore deve tenersi esonerato da qualsiasi uso improprio e/o derivante anche e non solo da omessa e/o insufficiente informazione relativa ai prodotti di cui sopra ed al loro uso.

According to the copyright and the civil law, the reproduction of this catalogue, or any part of this one, by electronic, mechanical methods, by means of photocopies, microfilms, recordings or other, is peremptorily forbidden. Rights are reserved for all countries.

Drawings, specifications and reference numbers may be modified and changed. MTA S.p.A. reserves itself the right, to make changes for technical or quality improvements, without any notice.

The products in this catalogue are intended for industrial and professional use and must be installed and operated by qualified personnel.

The buyer is obliged to inform the end user of the risks associated with the misuse of the products (e.g. electric shock, explosion, etc.). The seller shall be held exempt from any use that is improper and/or arising also and not only from omitted and/or insufficient information relating to the above products and their use.



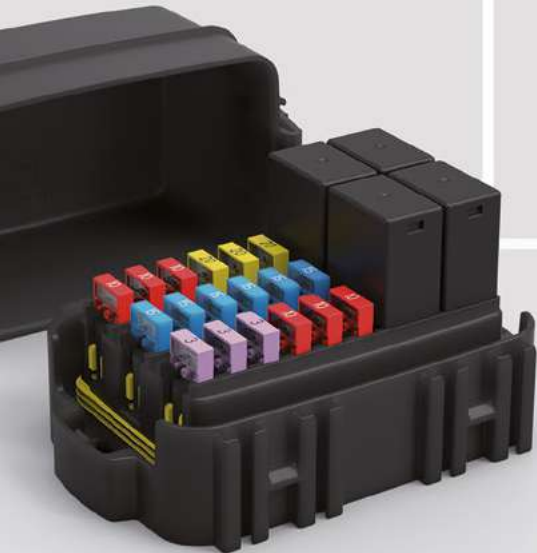
Per conoscere i distributori di MTA nel mondo potete consultare il sito [www.mta.it](http://www.mta.it)

To know MTA agents and distributors in the world please go to [www.mta.it](http://www.mta.it)



ITALY  
BRAZIL  
POLAND  
SLOVAKIA  
USA  
INDIA  
CHINA  
MEXICO  
MOROCCO

[www.mta.it](http://www.mta.it)



Ref. 9951220

